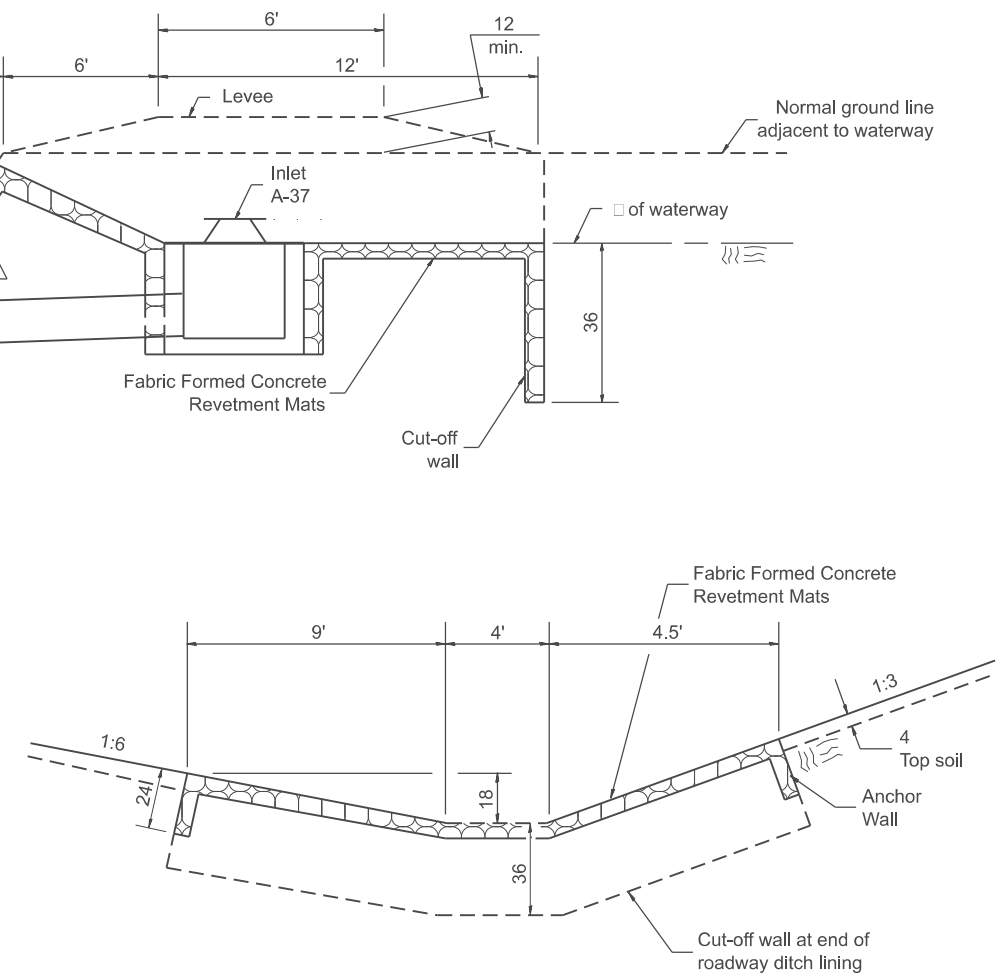
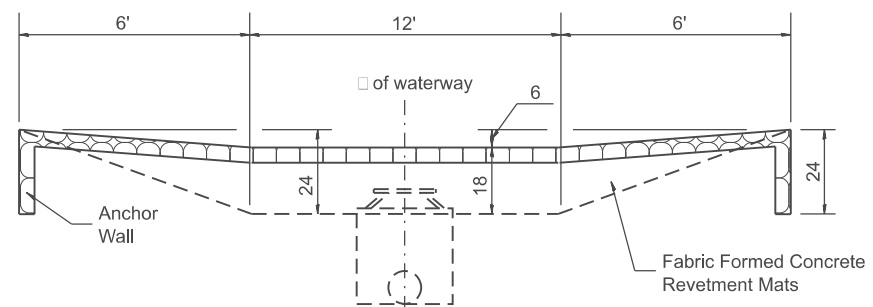


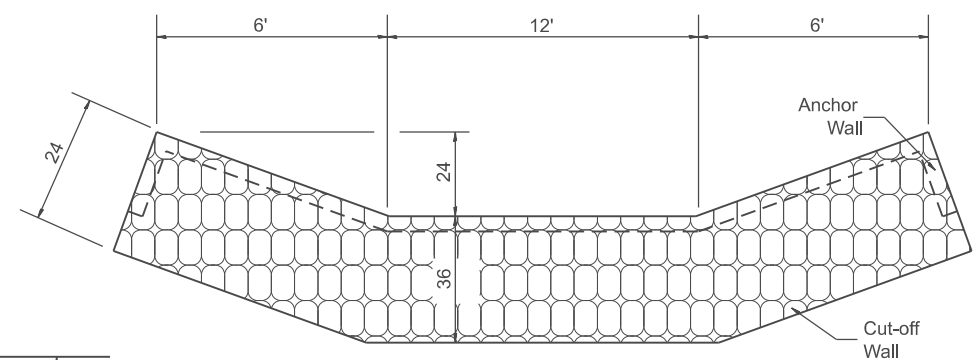
SECTION A-A



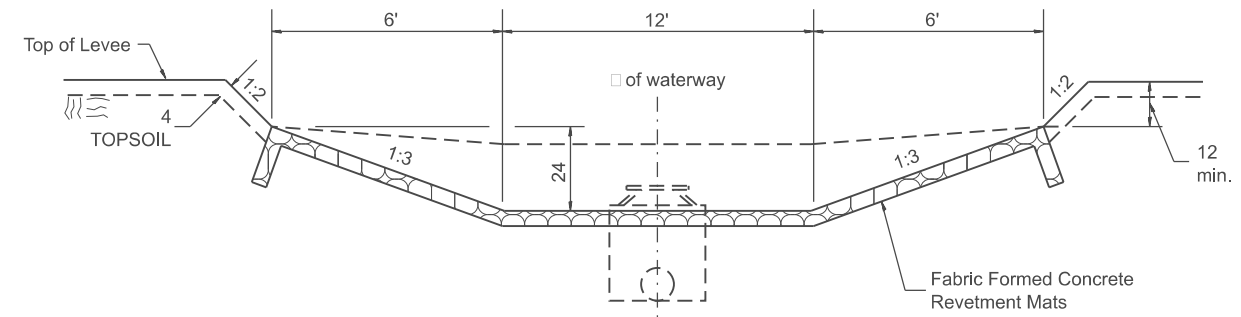
SECTION B-B



SECTION C-C
(WEIR DETAIL)



SECTION E-E
(CUT-OFF WALL)



SECTION D-D

All slope ratios are expressed as units of vertical displacement to units of horizontal displacement (V:H).
All dimensions are in inches unless otherwise noted.

MODEL: D4-28511-02
FILE NAME: c:\pwworking\illinois.gov\thomas.cox\illinois.gov\10559441D4-28511.dgn

USER NAME = thomas.cox	DESIGNED -	REVISED -
	DRAWN -	REVISED -
	CHECKED -	REVISED -
PLOT DATE = 11/11/2024	DATE -	REVISED -

STATE OF ILLINOIS
DEPARTMENT OF TRANSPORTATION

WATERWAY EROSION CONTROL, UPSTREAM TREATMENT, PIPE DRAIN WITH INLET			
SCALE: NOT TO SCALE	SHEET 0002	OF 2 SHEETS	STA. TO STA.

F.A. RTE.	SECTION	COUNTY	TOTAL SHEETS	SHEET NO.
				0
DISTRICT 4 DETAIL NO. 285111			CONTRACT NO.	
ILLINOIS FED. AID PROJECT				