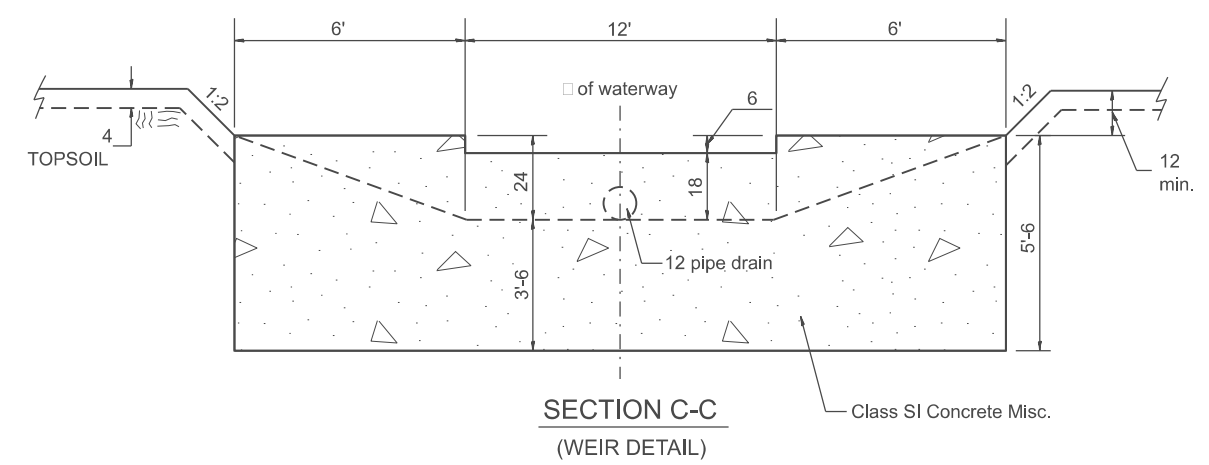
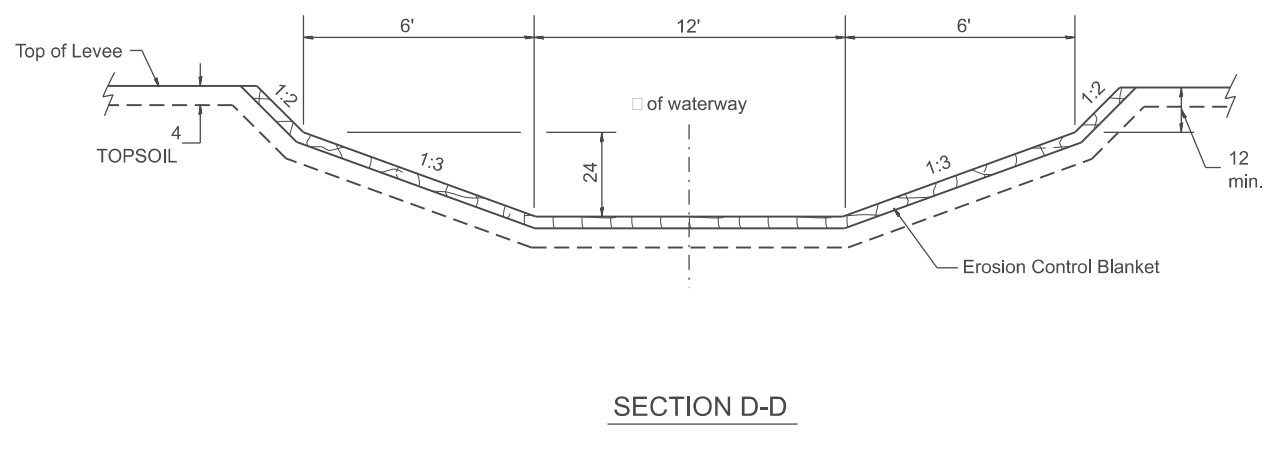


SECTION A-A

SECTION B-B



SECTION C-C
(WEIR DETAIL)



SECTION D-D

All slope ratios are expressed as units of vertical displacement to units of horizontal displacement (V:H).

All dimensions are in inches unless otherwise noted.

MODEL: D4-285106-02
FILE NAME: c:\pwworking\illinois.gov\thomas.cox\10559441D4-285106.dgn

USER NAME = thomas.cox	DESIGNED -	REVISED -
	DRAWN -	REVISED -
	CHECKED -	REVISED -
PLOT DATE = 11/11/2024	DATE -	REVISED -

STATE OF ILLINOIS
DEPARTMENT OF TRANSPORTATION

**WATERWAY EROSION CONTROL, UPSTREAM TREATMENT,
PIPE DRAIN WITH CONCRETE WEIR**

SCALE: NOT TO SCALE SHEET 000 2 OF 2 SHEETS STA. TO STA.

F.A. RTE.	SECTION	COUNTY	TOTAL SHEETS	SHEET NO.
				0
DISTRICT 4 DETAIL NO. 285106		CONTRACT NO.		
ILLINOIS FED. AID PROJECT				