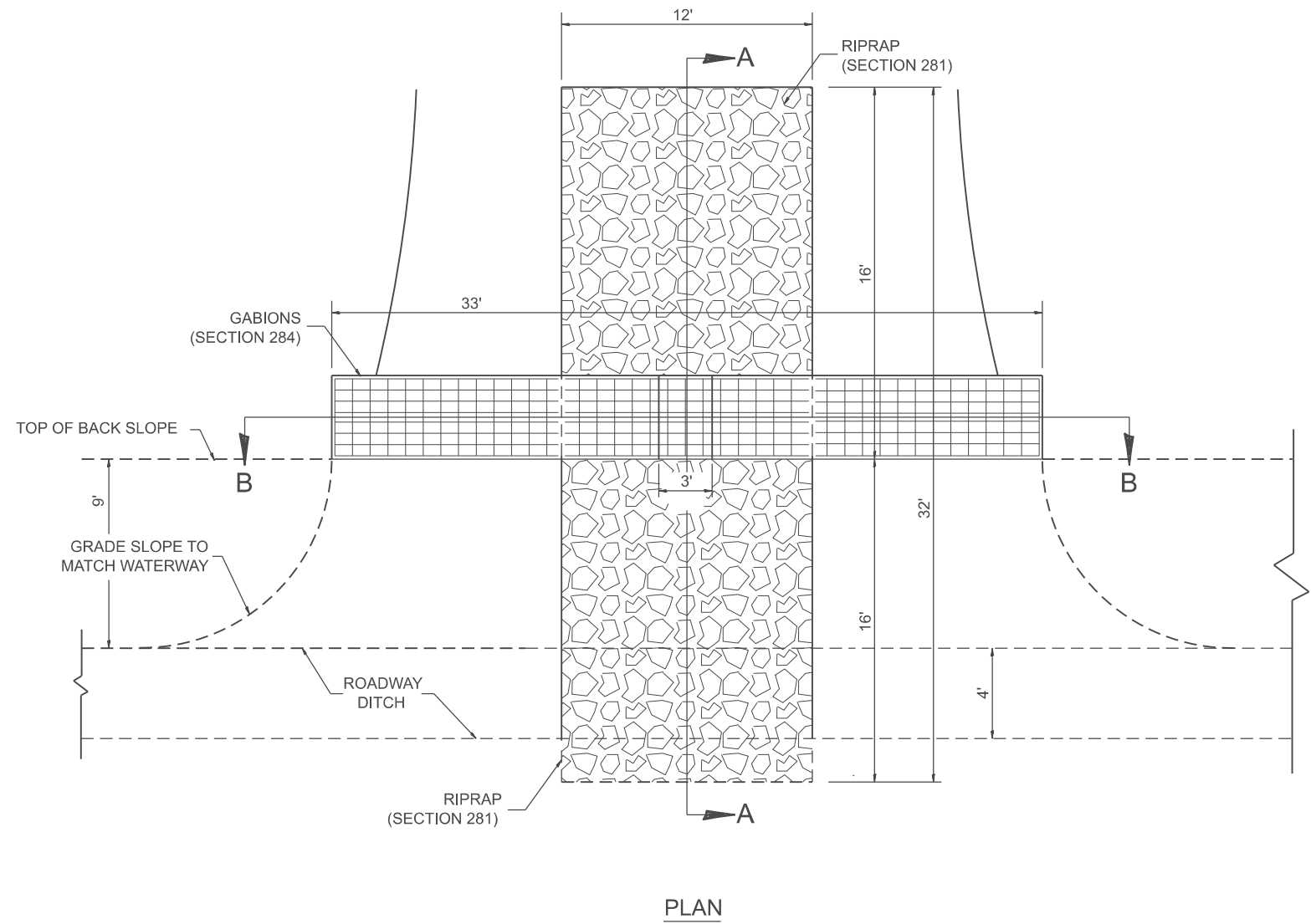


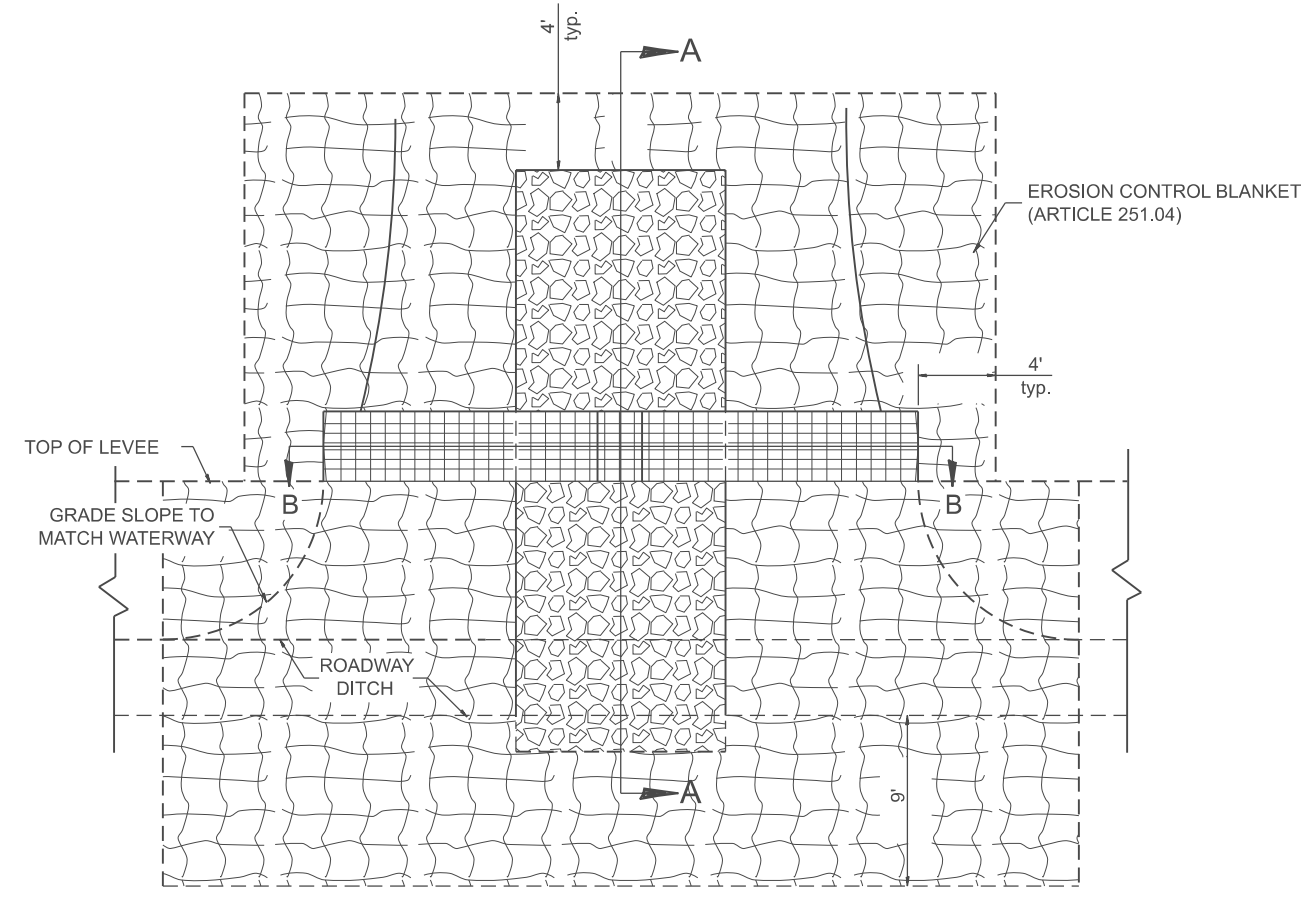
Designer Notes:

1. Designer to modify this Special Detail sheet, as needed, for inclusion in plans.
2. This treatment is recommended for large waterways: $\geq 30'$ in width.
3. Include District CADD Detail for RIPRAP Ditch for Erosion Protection.
4. Designer to add Drainage Structure Details as needed. The CULVERT flowline should be located such that CULVERT siltation is minimized.

MODEL: D4-284001.dgn
 FILE NAME: c:\pwworking\illinois.gov\thomas.cox\illinois.gov\10559441\04-284001.dgn



PLAN



EROSION CONTROL BLANKET DETAILS

GENERAL NOTES

1. GABIONS SHALL CONFORM TO SECTION 284. MANUFACTURERS NOMINAL SIZES SHALL BE USED.
2. RIPRAP SHALL CONFORM TO SECTION 281.
3. EROSION CONTROL BLANKET SHALL CONFORM TO SECTION 281.
4. FILTER FABRIC USED WITH RIPRAP SHALL CONFORM TO SECTION 282 AND ARTICLE 1080.03.

All dimensions are in inches unless otherwise noted.

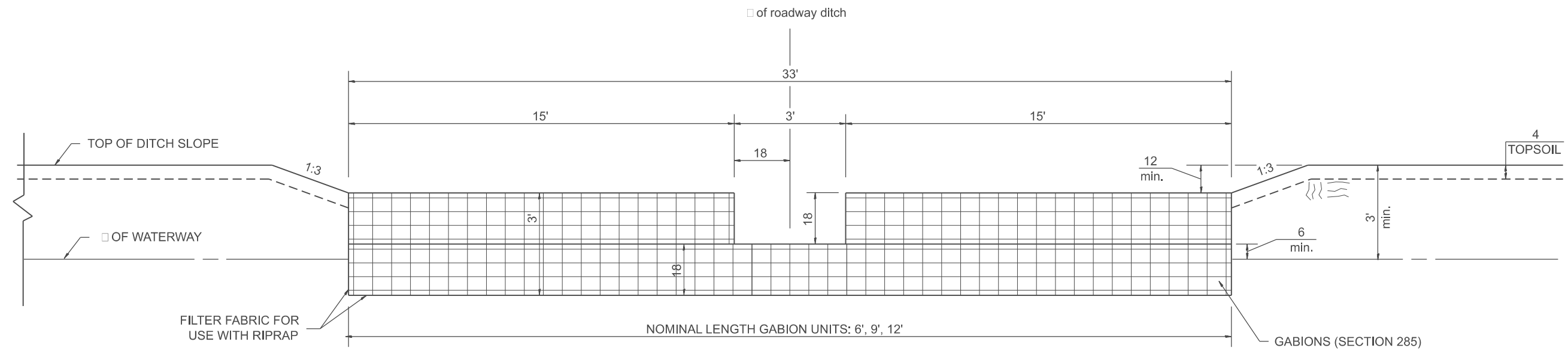
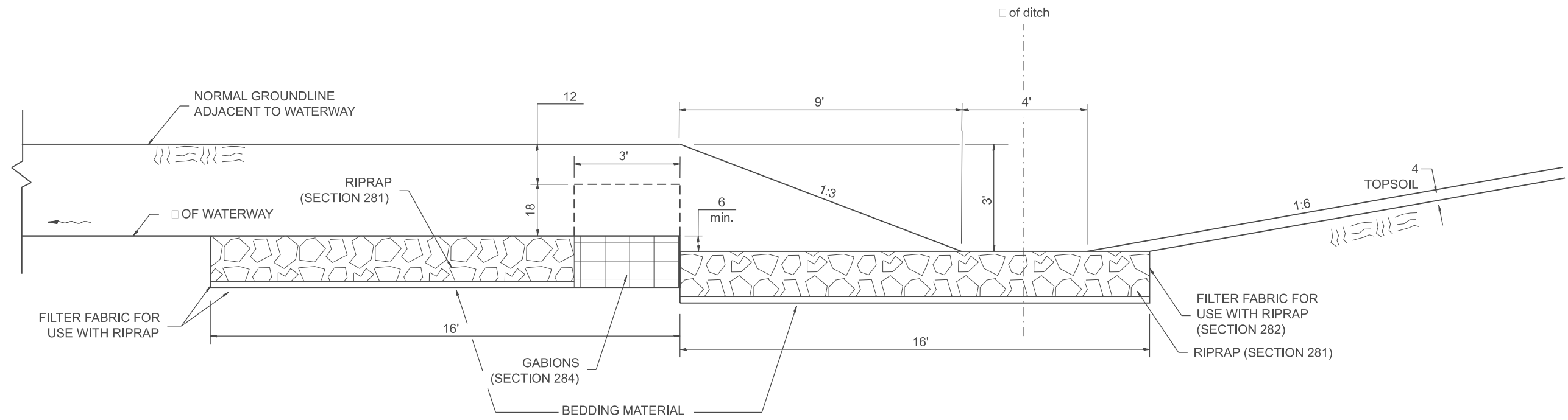
USER NAME = thomas.cox	DESIGNED -	REVISED -
	DRAWN -	REVISED -
	CHECKED -	REVISED -
PLOT DATE = 11/11/2024	DATE -	REVISED -

**STATE OF ILLINOIS
 DEPARTMENT OF TRANSPORTATION**

**WATERWAY EROSION CONTROL,
 DOWNSTREAM TREATMENT, GABION WEIR**

SCALE: NOT TO SCALE SHEET 0001 OF 2 SHEETS STA. TO STA.

F.A. RTE.	SECTION	COUNTY	TOTAL SHEETS	SHEET NO.
				0
DISTRICT 4 DETAIL NO. 284001		CONTRACT NO.		
ILLINOIS FED. AID PROJECT				



All slope ratios are expressed as units of vertical displacement to units of horizontal displacement (V:H).
 All dimensions are in inches unless otherwise noted.

MODEL: SHT_PLAN
 FILE NAME: C:\Bentley\CONNECT\1011\Organization\Chilidiot_Standards\Cell\DOT_Sheets.cel

USER NAME = Eric.Thomas	DESIGNED -	REVISED -
	DRAWN -	REVISED -
	CHECKED -	REVISED -
PLOT DATE = 12/7/2022	DATE -	REVISED -

**STATE OF ILLINOIS
DEPARTMENT OF TRANSPORTATION**

**WATERWAY EROSION CONTROL,
DOWNSTREAM TREATMENT, GABION WEIR**

SCALE: NOT TO SCALE SHEET 2 OF 2 SHEETS STA. TO STA.

F.A. RTE.	SECTION	COUNTY	TOTAL SHEETS	SHEET NO.
DISTRICT 4 DETAIL NO. 284001		CONTRACT NO.		
ILLINOIS FED. AID PROJECT				