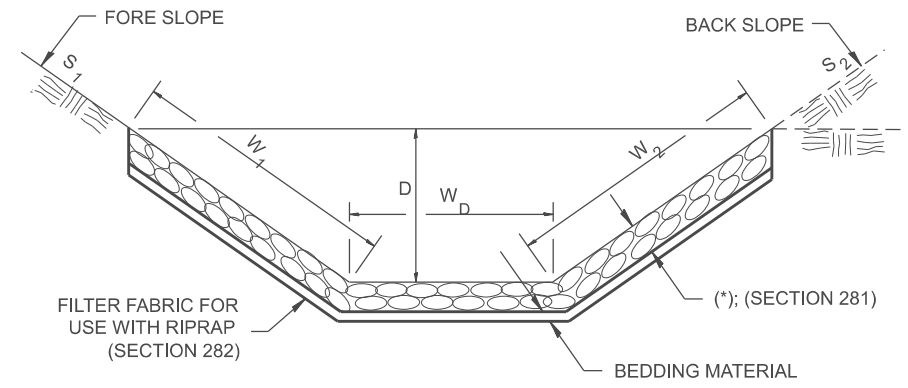


Designer Notes:
 1. Designer to modify this Special Detail Sheet, as needed for inclusion in plans.
 2. (*) Designer to specify pay item including material, quality, and gradation.
 3. Include District Special Provision if needed.

MODEL: D4-281001
 FILE NAME: c:\pwwork\work\illinois.gov\thomas.cox\illinois.gov\10559441\D4-281001.dgn

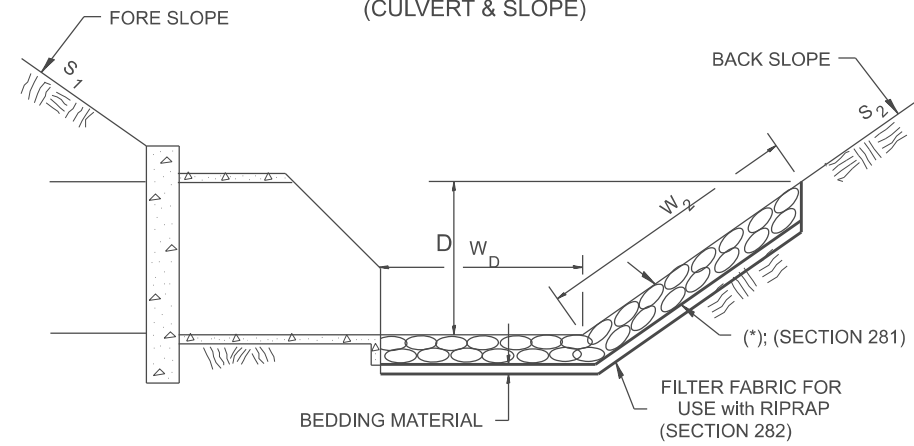
CASE 1
(DITCH)



| (*) | | | | |
|------------|-----------|--------|--------|--------|
| LOCATION | WIDTH (1) | LENGTH | RIPRAP | FABRIC |
| STA TO STA | lin ft | lin ft | tons | sq yds |
| | | | | |
| | | | | |
| | | | | |
| | | | | |
| TOTAL | | | | |

(1) WIDTH = $W_1 + W_2 + W_D$

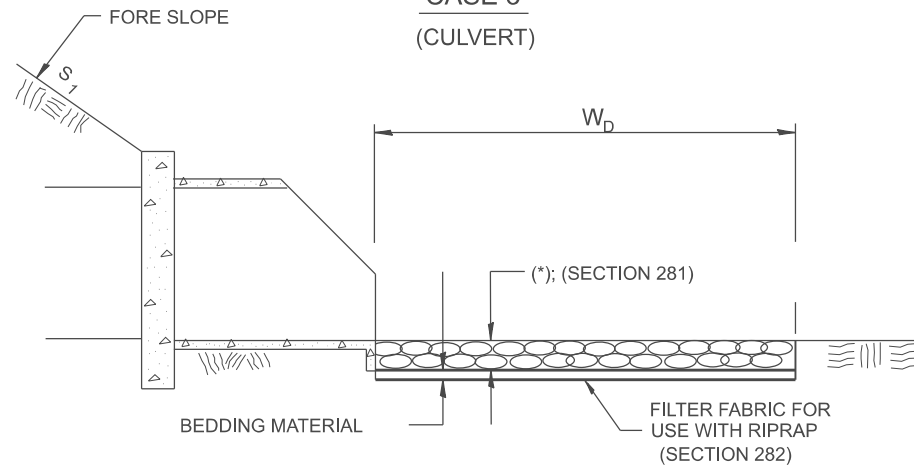
CASE 2
(CULVERT & SLOPE)



| (*) | | | | |
|------------|-----------|--------|--------|--------|
| LOCATION | WIDTH (1) | LENGTH | RIPRAP | FABRIC |
| STA TO STA | lin ft | lin ft | tons | sq yds |
| | | | | |
| | | | | |
| | | | | |
| | | | | |
| TOTAL | | | | |

(1) WIDTH = $W_2 + W_D$

CASE 3
(CULVERT)



| (*) | | | | |
|------------|-----------|--------|--------|--------|
| LOCATION | WIDTH (1) | LENGTH | RIPRAP | FABRIC |
| STA TO STA | lin ft | lin ft | tons | sq yds |
| | | | | |
| | | | | |
| | | | | |
| | | | | |
| TOTAL | | | | |

(1) WIDTH = W_D

All slope ratios are expressed as units of vertical displacement to units of horizontal displacement (V:H).

All dimensions are in inches unless otherwise noted.

| | | |
|------------------------|------------|-----------|
| USER NAME = thomas.cox | DESIGNED - | REVISED - |
| | DRAWN - | REVISED - |
| | CHECKED - | REVISED - |
| PLOT DATE = 11/11/2024 | DATE - | REVISED - |

STATE OF ILLINOIS
DEPARTMENT OF TRANSPORTATION

RIPRAP DITCH FOR EROSION PROTECTION

SCALE: NOT TO SCALE SHEET 000 OF SHEETS STA. TO STA.

| F.A. RTE. | SECTION | COUNTY | TOTAL SHEETS | SHEET NO. |
|------------------------------|---------|--------------|--------------|-----------|
| | | | | 0 |
| DISTRICT 4 DETAIL NO. 281001 | | CONTRACT NO. | | |
| ILLINOIS FED. AID PROJECT | | | | |