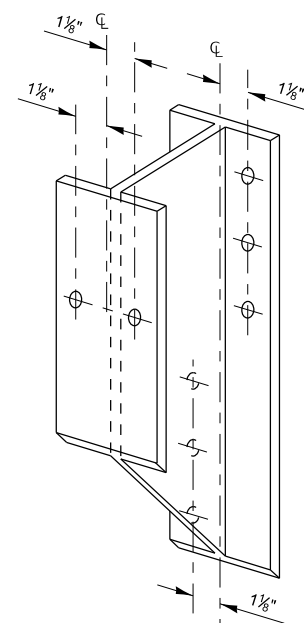
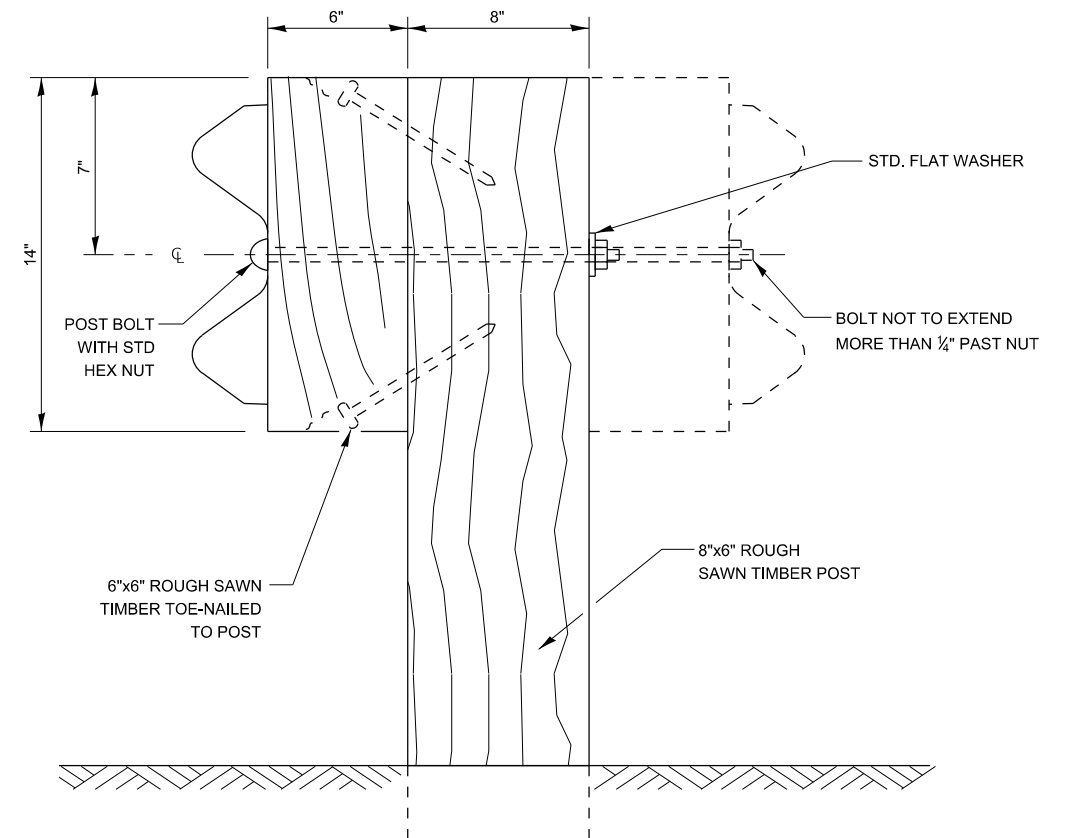


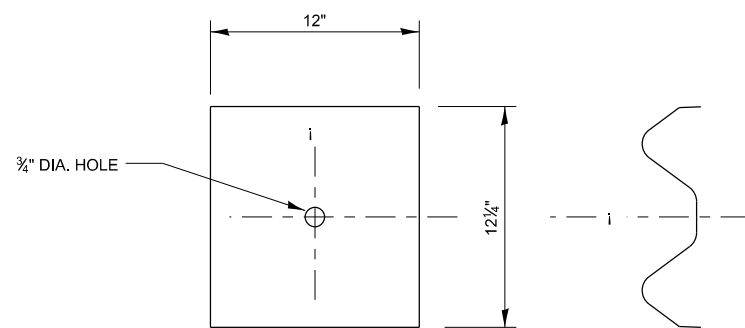
**STEEL POST CONSTRUCTION**



**STEEL BLOCK-OUT DETAIL**

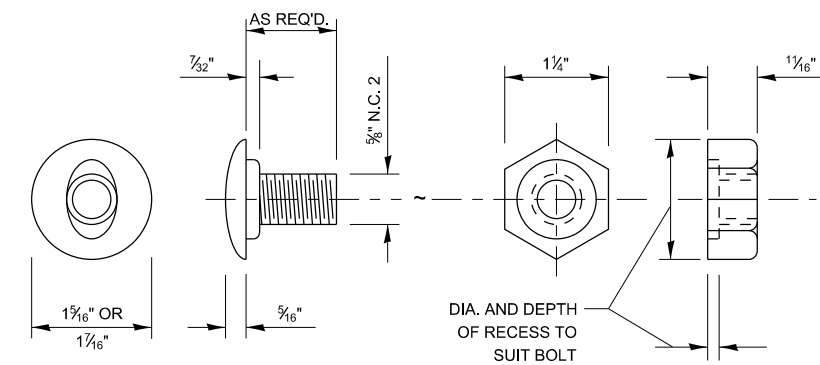


**WOOD POST CONSTRUCTION**



NOTE:  
 PLATE A SHALL BE PLACED BETWEEN RAIL  
 ELEMENT AND BLOCK-OUT AT NON-SPLICE  
 MOUNTING POINTS ONLY WHEN STEEL  
 BLOCK-OUTS ARE USED.

**PLATE A**



**POST OR SPLICE BOLT & NUT**

MODEL det 3 dch11b  
 FILE Name: p:\w\scaw\beetley.com\PIV\DOT\Documents\DOT\_Offices\DH\dtdt\_3\Projects\3-Carcy\_Details\03\_Detail\_Revision\2023\604699\_INCIDENTAL\_CONSTRUCTION.dgn

USER NAME = anthony.grunstad	DESIGNED -	REVISED -
DRAWN -	REVISOR -	
PLOT SCALE = 100,000 ' / in.	CHECKED -	REVISED -
PLOT DATE = 10/3/23	DATE -	REVISED -

**STATE OF ILLINOIS  
 DEPARTMENT OF TRANSPORTATION**

**REMOVE AND REERECT STEEL PLATE BEAM GUARDRAIL**

SCALE: SHEET OF SHEETS STA. TO STA.

F.A. RTE.	SECTION	COUNTY	TOTAL SHEETS	SHEET NO.
CONTRACT NO.				
ILLINOIS FED. AID PROJECT				

633-1B