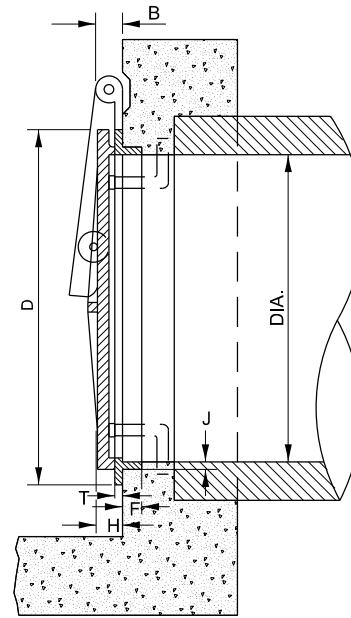
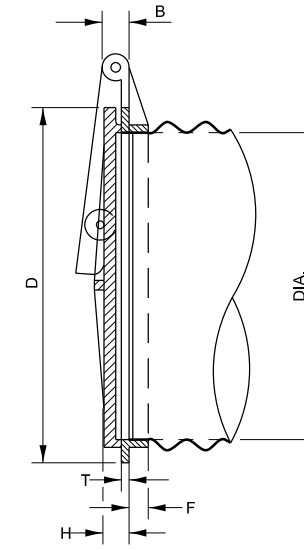


FRONT ELEVATION



SECTION



SECTION SHOWING METHOD OF APPLICATION
TO CORRUGATED METAL PIPE

TABLE OF DIMENSIONS

DIAM	A	B	C	D	E	F	G	H	J	T
8"	10 3/4"	1 3/8"	5 1/16"	10"	1/2"	1 1/8"	3 9/16"	1 1/4"	3/8"	3/8"
10"	12 3/4"	1 3/8"	7 1/8"	12 1/4"	1/2"	1 1/8"	4 3/8"	1 1/2"	1/2"	7/16"
12"	14 3/4"	1 3/8"	8 1/2"	14 1/2"	1/2"	1 1/8"	5 1/8"	1 1/2"	1/2"	1/2"
14"	17 1/4"	1 3/8"	9 7/8"	16 3/4"	1/2"	1 1/4"	5 15/16"	1 1/2"	1/2"	9/16"
15"	17 3/4"	1 3/8"	10 5/8"	17 3/4"	1/2"	1 1/4"	6 1/4"	1 1/2"	1/2"	9/16"
16"	19 1/4"	1 3/8"	11 1/4"	18 3/4"	1/2"	1 1/4"	6 5/8"	1 1/2"	1/2"	9/16"
18"	22 1/4"	2"	12 3/8"	21"	3/4"	1 9/16"	7 7/16"	1 3/4"	9/16"	9/16"
20"	24 3/4"	2"	14 1/8"	23 3/4"	3/4"	1 3/8"	8 1/4"	1 3/4"	5/8"	5/8"
21"	25 1/4"	2"	14 7/8"	24 1/4"	3/4"	1 3/8"	8 9/16"	1 3/4"	5/8"	5/8"
24"	28 1/4"	2"	17"	27 1/2"	3/4"	1 1/2"	9 3/4"	1 3/4"	5/8"	5/8"
30"	35 1/4"	2 1/2"	20 1/2"	34"	1"	1 9/16"	12"	2"	1 1/16"	5/8"
36"	41 1/2"	2 1/2"	25"	40 7/8"	1"	2 1/16"	14 7/16"	2 1/4"	1 1/8"	1 1/16"
42"	47 1/2"	2 1/2"	29 3/4"	47"	1"	2 5/16"	16 5/8"	2 1/4"	1 1/8"	3/4"
48"	53 1/2"	2 1/2"	34"	54"	1"	2 3/4"	19 1/16"	2 1/4"	1 3/8"	3/4"
54"	60 3/4"	2 1/2"	38"	62 1/4"	1 1/4"	2 3/4"	22"	3"	1 1/2"	7/8"
60"	67"	2 1/2"	42"	68 1/2"	1 1/4"	2 3/4"	24 1/4"	3"	1 1/2"	15/16"
66"	73 3/8"	2 1/2"	47"	75"	1 1/4"	2 7/8"	26 1/2"	3"	1 1/2"	1"
72"	79"	2 1/2"	51"	82"	1 1/4"	3"	29"	3"	1 1/2"	1"
78"	86"	2 1/2"	55 1/4"	88 3/4"	1 1/4"	3 1/2"	31 3/8"	3"	1 5/8"	1 1/8"
84"	92 1/2"	3 1/2"	59 1/2"	95 1/2"	1 1/2"	3 1/2"	33 3/4"	3"	1 3/4"	1 1/4"

MODEL det 3.dwg
 FILE Name: p:\w\scw\benley.com\PI\DOT\Documents\DOT Offices\Dir\dr: 3\Projects-Garcy Details\03 Detail Revisions 2023\608-699 INCIDENTAL CONSTRUCTION.dgn

USER NAME = anthony.grunstad	DESIGNED -	REVISED -
	DRAWN -	REVISED -
PLOT SCALE = 100,000 ' / in.	CHECKED -	REVISED -
PLOT DATE = 10/3/23	DATE -	REVISED -

**STATE OF ILLINOIS
DEPARTMENT OF TRANSPORTATION**

AUTOMATIC FLAP GATES

SCALE: SHEET OF SHEETS STA. TO STA.

F.A. RTE.	SECTION	COUNTY	TOTAL SHEETS	SHEET NO.
CONTRACT NO.				
ILLINOIS FED. AID PROJECT				