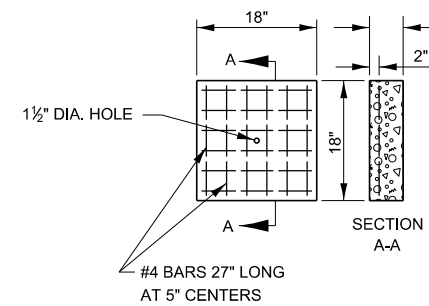
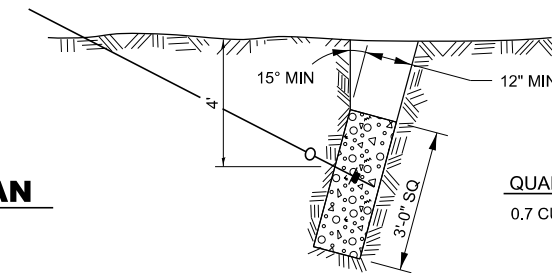


NOTE:
THE ITEMS LISTED IN THE BILL OF MATERIALS SHALL BE INCIDENTAL TO THE COST OF THE FLOOD GATE SUPPORT COMPLETE.



DETAIL OF PRECAST CONCRETE DEADMAN

QUANTITIES FOR 2 DEADMEN
0.3 CU YD CLASS SI CONCRETE
36 LBS REINFORCEMENT BARS



QUANTITIES FOR 2 DEADMEN
0.7 CU YD CLASS SI CONCRETE

DETAIL OF CAST-IN-PLACE CONCRETE DEADMAN

NOTE:
PRECAST CONCRETE DEADMEN AND CAST-IN-PLACE CONCRETE DEADMEN SHALL BE CONSTRUCTED OF CLASS SI CONCRETE

BILL OF MATERIALS

QUANTITY	UNIT	ITEM
240	FT	3/4" DIA. GALVANIZED WIRE ROPE
4	EACH	3/4" DIA. x 15" GALVANIZED EYE BOLTS WITH NUTS AND WASHERS
2	EACH	3/4" DIA. GALVANIZED TURNBUCKLES
20	EACH	3/4" DIA. GALVANIZED CABLE CLAMPS
4	EACH	5" x 5" x 3/4" STEEL WASHER PLATES
2	EACH	PRECAST CONCRETE DEADMAN OR CAST-IN-PLACE CONCRETE DEADMAN
98	FT	12" CREOSOTED TIMBER PILE (INCLUDES FURNISHING AND DRIVING TIMBER PILES)

DETAIL OF FLOOD GATE SUPPORT

607-2

MODEL: det 3 det.tbl
FILE: \\miller\paw_bentley.com\PI\PIDOT\Documents\DOT_offices\charcy_details\03_Detail_Revision\2023\607-2\03_INCIDENTAL_CONSTRUCTION.dgn

USER NAME = anthony.grunstad	DESIGNED -	REVISED -
	DRAWN -	REVISED -
PLOT SCALE = 100,000 ' / in.	CHECKED -	REVISED -
PLOT DATE = 10/3/23	DATE -	REVISED -

**STATE OF ILLINOIS
DEPARTMENT OF TRANSPORTATION**

SCALE:	SHEET	OF	SHEETS	STA.	TO STA.	F.A. RTE.	SECTION	COUNTY	TOTAL SHEETS	SHEET NO.
						CONTRACT NO.				