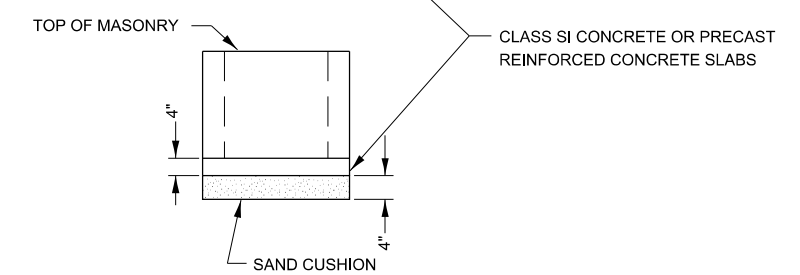
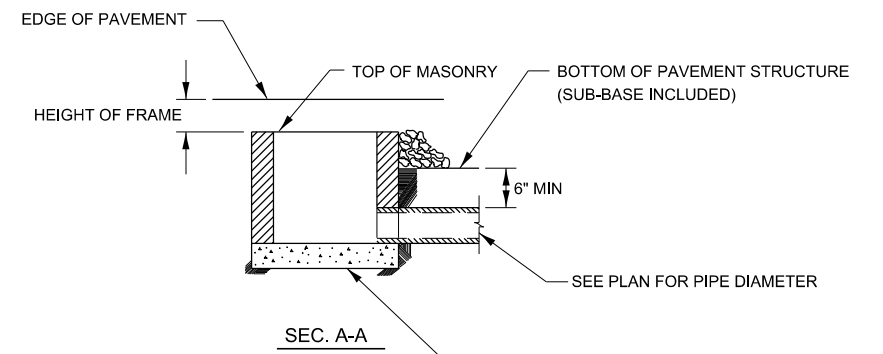
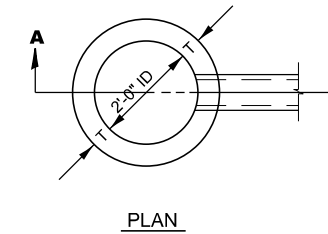


ALTERNATE MATERIALS FOR WALLS	
PRECAST REINFORCED CONCRETE RISERS	3"
CONCRETE MASONRY UNITS	5"
CAST-IN-PLACE CONCRETE	6"
BUILDING BRICK, GRADE SW, FROM CLAY OR SHALE	8"



INLET TYPE A (SPECIAL)

NOTE:

1. THE CONTRACT UNIT PRICE FOR INLETS TYPE A (SPECIAL) SHALL NOT INCLUDE THE FRAME AND LID OR GRATE.
2. FURNISHING AND INSTALLING SAND CUSHION IS TO BE INCLUDED IN THE CONTRACT UNIT PRICE FOR TYPE A (SPECIAL) INLETS.
3. THE TYPE A (SPECIAL) INLET SHOULD NOT BE USED AS A RECEIVER OF STORM WATER FROM ANOTHER INLET.

(TO BE USED AT PAVED SECTION WITH CURB & GUTTER)
NO SCALE

602-1

MODEL: det 3 det 1b
 FILE: \\miller\paw\benley.com\PI\DOT\Documents\DOT Offices\Dir\dr. 3\Projects\Carry Detail\03 Detail Rev\03 2023\602-1.dgn

USER NAME = anthony.grunstad	DESIGNED -	REVISED -
	DRAWN -	REVISED -
PLOT SCALE = 100,000 ' / in.	CHECKED -	REVISED -
PLOT DATE = 10/3/23	DATE -	REVISED -

**STATE OF ILLINOIS
DEPARTMENT OF TRANSPORTATION**

SCALE:	SHEET	OF	SHEETS	STA.	TO	STA.
--------	-------	----	--------	------	----	------

F.A. RTE.	SECTION	COUNTY	TOTAL SHEETS	SHEET NO.
CONTRACT NO.				
ILLINOIS FED. AID PROJECT				