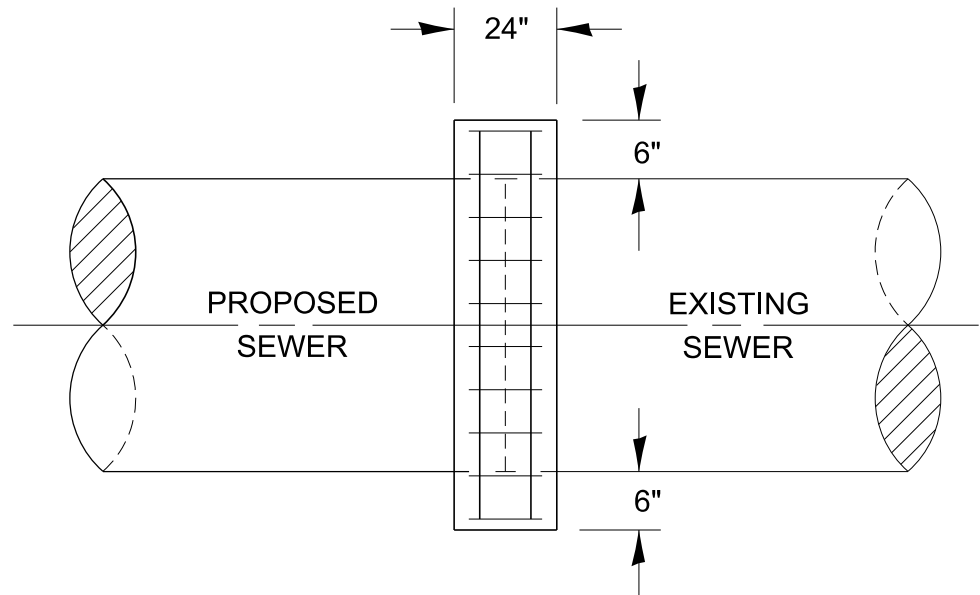


FRONT VIEW



SIDE VIEW

CONCRETE COLLAR FOR SEWER CONNECTION

550-1