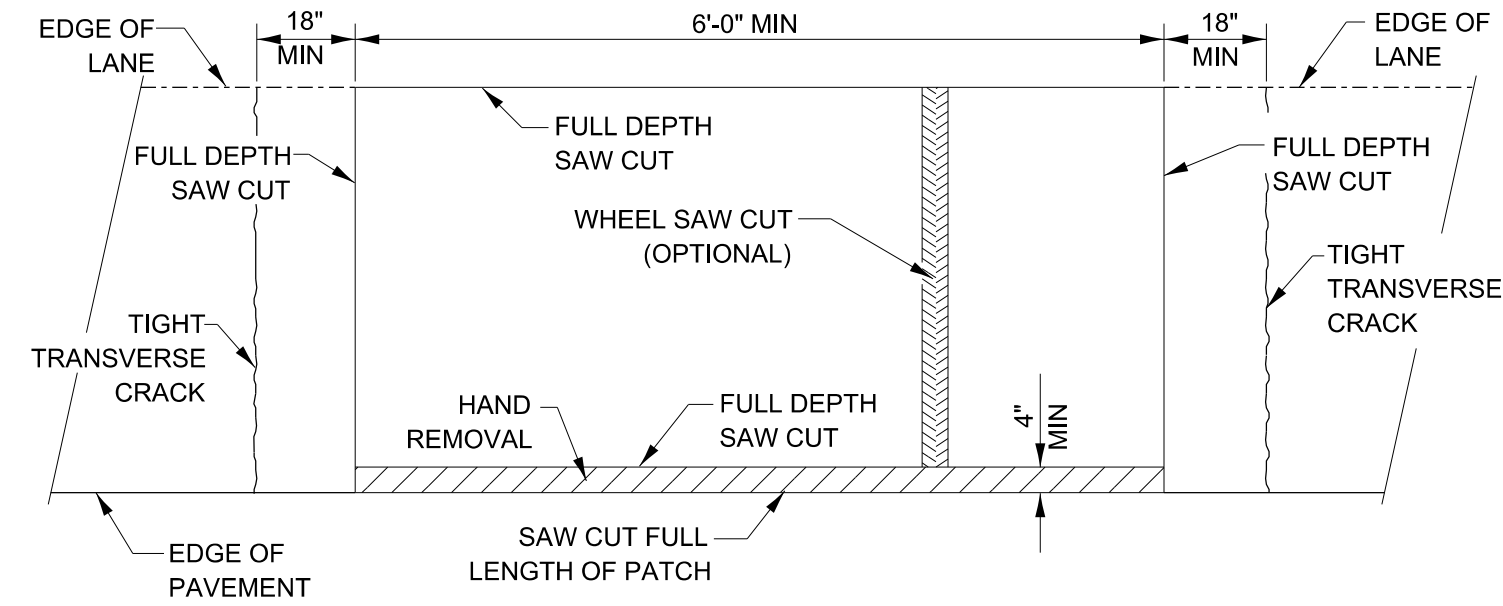
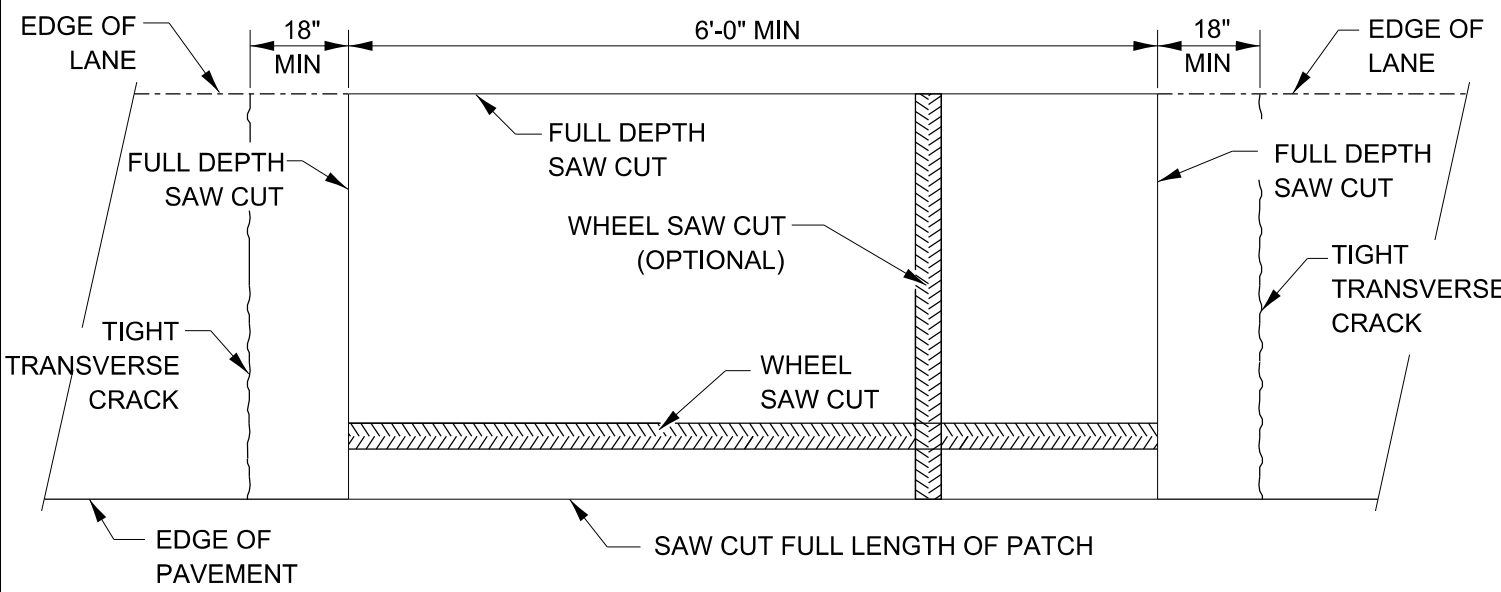


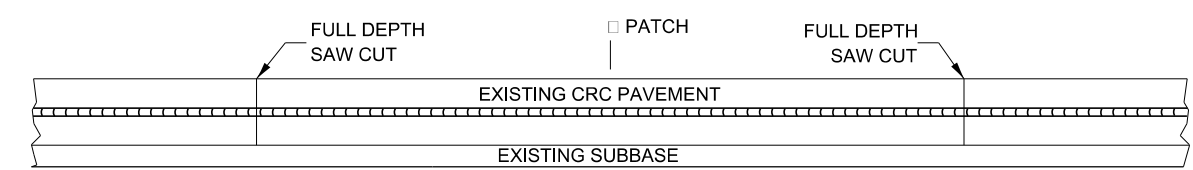
PAVEMENT SAWING DETAIL
(HMA SHOULDER)



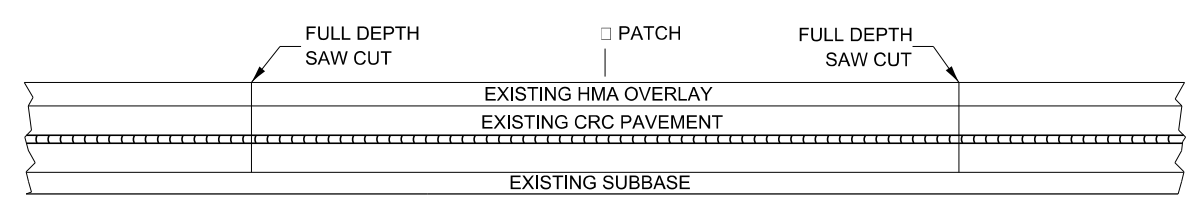
PAVEMENT SAWING DETAIL
(PCC SHOULDER)



ALTERNATE SAWING DETAIL
(PCC SHOULDER)



EXISTING PAVEMENT WITHOUT HMA SURFACE



EXISTING PAVEMENT WITH HMA SURFACE

PAVEMENT SAWING DETAIL FOR CLASS A PATCHING
(CRC PAVEMENT)

MODEL: ###
FILE NAME: c:\pwwork\wtd\pcc\harr\dms1560400-499 SURF CSE PAVT REHAB & SHLD.dgn

USER NAME = Anthony.Grunstad	DESIGNED -	REVISED -
DRAWN -	REVISIONS -	
PLOT SCALE = 100,000 / 1 in.	CHECKED -	REVISED -
PLOT DATE = 6/26/2024	DATE -	REVISED -

STATE OF ILLINOIS
DEPARTMENT OF TRANSPORTATION

CLASS A PATCHING DETAILS
SCALE: SHEET 1 OF 3 SHEETS STA. TO STA.

F.A. RTE.	SECTION	COUNTY	TOTAL SHEETS	SHEET NO.
CONTRACT NO.				
ILLINOIS FED. AID PROJECT				