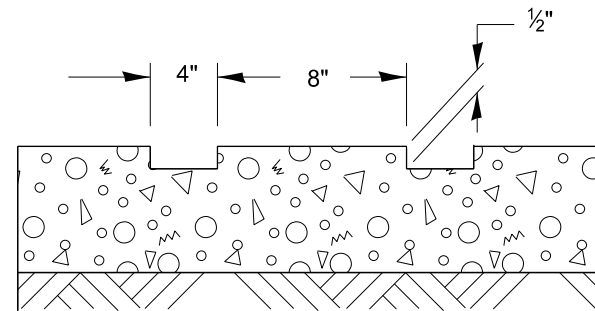


DETAIL A



SECTION A-A

TYPICAL GROOVED RUMBLE STRIP APPLICATION IN ADVANCE OF AN INTERSECTION