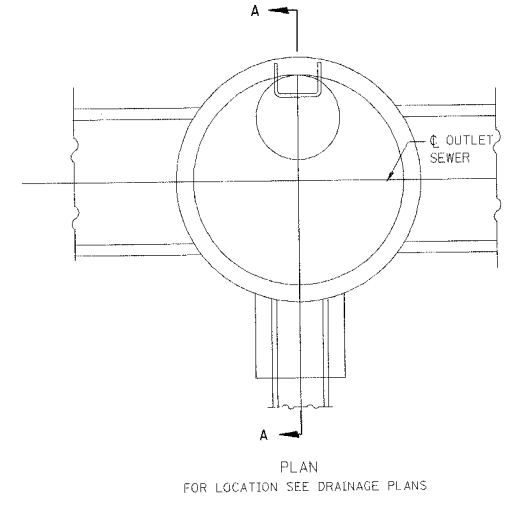
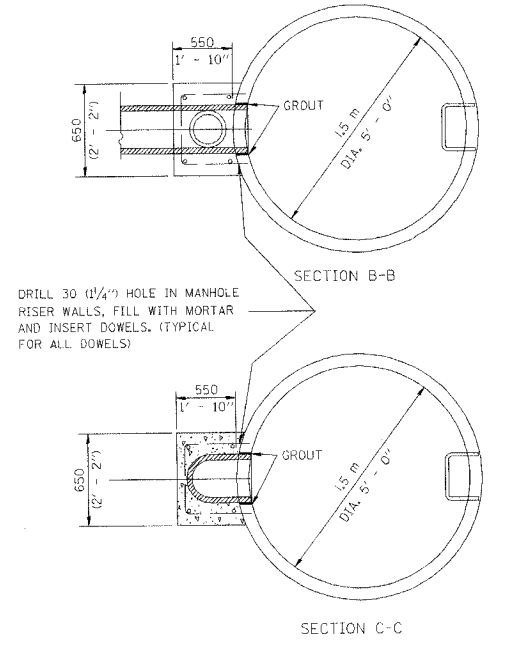
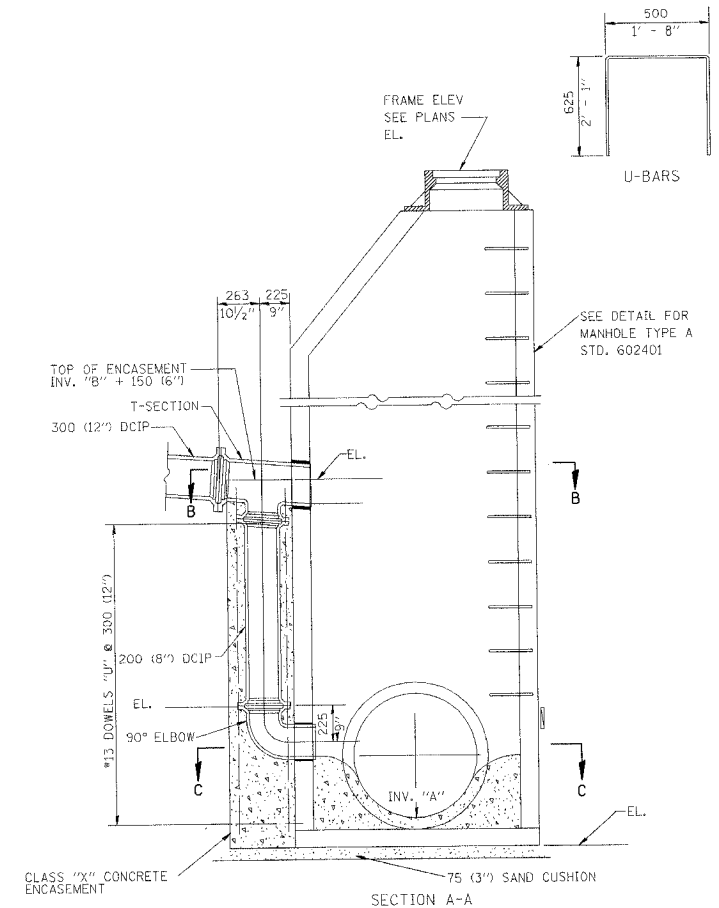


F.A.L. NO.	SECTION	COUNTY	TOTAL SHEETS	SHEET NO.
8094	*	COOK	870	737
STA.	TO STA.			
FED. ROAD DIST. NO. 1	ILLINOIS	FED. AID PROJECT		

(0203.1 & 0312-708W) R-3 CONTRACT NO. 62108



ENCASEMENT DETAILS			
DROP M.H. LOCATION STA.. OFFSET			
INV. "A"			
INLET PIPE			
INV. "B"			
INV. "C"			
A			
B			
"V" BAR LENGTH			
NO. OF "U" BARS			
REINF. BARS			
CLASS "SI" CONC. CUBIC METER (CU. YD.)			



- TYPE A1-1 MANHOLE WITH 1 DROP AND DEPTH UP TO 3 m (10')
- TYPE A1-2 " " " " " " FROM 3 m TO 1.5 m (10' TO 15')
- TYPE A1-3 " " " " " " FROM 1.5 m TO 6 m (15' TO 20')
- TYPE A1-4 " " " " " " OVER 6 m (20')
  
- TYPE A2-1 MANHOLE WITH 2 DROPS AND DEPTH UP TO 3 m (10')
- TYPE A2-2 " " " " " " FROM 3 m TO 1.5 m (10' TO 15')
- TYPE A2-3 " " " " " " FROM 1.5 m TO 6 m (15' TO 20')
- TYPE A2-4 " " " " " " OVER 6 m (20')

REVISIONS	
NAME	DATE

ALL DIMENSIONS ARE IN MILLIMETERS (INCHES) UNLESS OTHERWISE SHOWN  
ILLINOIS DEPARTMENT OF TRANSPORTATION

**DROP MANHOLE DETAILS**

SCALE: NONE  
DATE 10/18/2002  
DRAWN BY jls  
CHECKED BY  
60600-05 (BD-16)  
REVISION DATE: