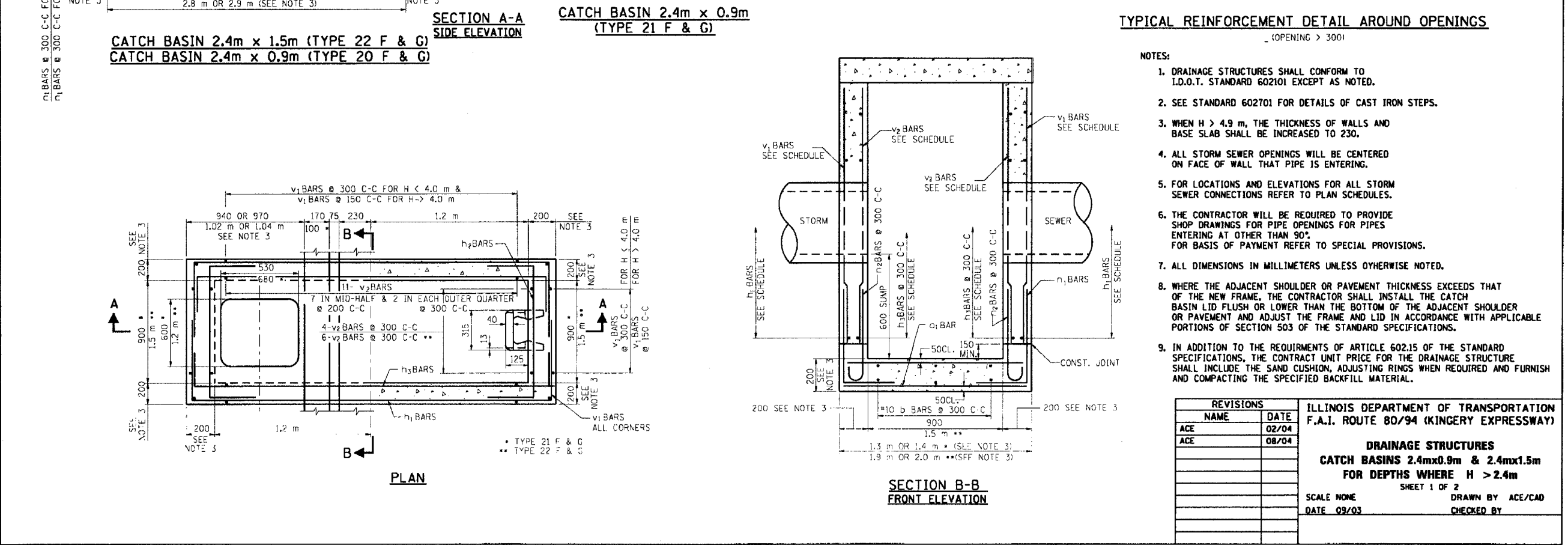
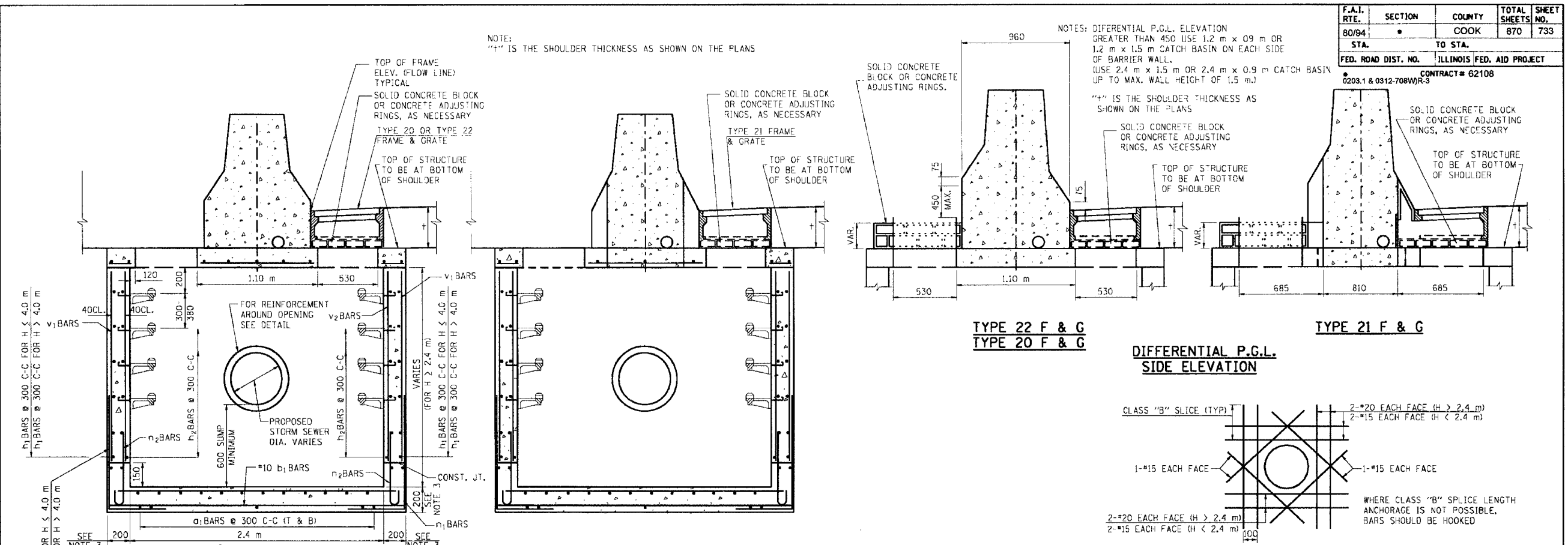


F.A.I. RTE.	SECTION	COUNTY	TOTAL SHEETS	SHEET NO.
80/94		COOK	870	733
STA.		TO STA.		
FED. ROAD DIST. NO.		ILLINOIS FED. AID PROJECT		
		CONTRACT # 62108		
		0203.1 & 0312-708W/R-3		



REVISIONS		ILLINOIS DEPARTMENT OF TRANSPORTATION F.A.I. ROUTE 80/94 (KINGERY EXPRESSWAY)	
NAME	DATE		
ACE	02/04		
ACE	08/04		

DRAINAGE STRUCTURES  
CATCH BASINS 2.4m x 0.9m & 2.4m x 1.5m  
FOR DEPTHS WHERE H > 2.4m  
SHEET 1 OF 2

SCALE NONE  
DATE 09/03

DRAWN BY ACE/CAD  
CHECKED BY

E:\Project\201408\DWG\Contract & Structures Information\Drawings\CA.dgn Men Aug 15 15:14:37 2004

CS-10A (METRIC)  
REVISION DATE: