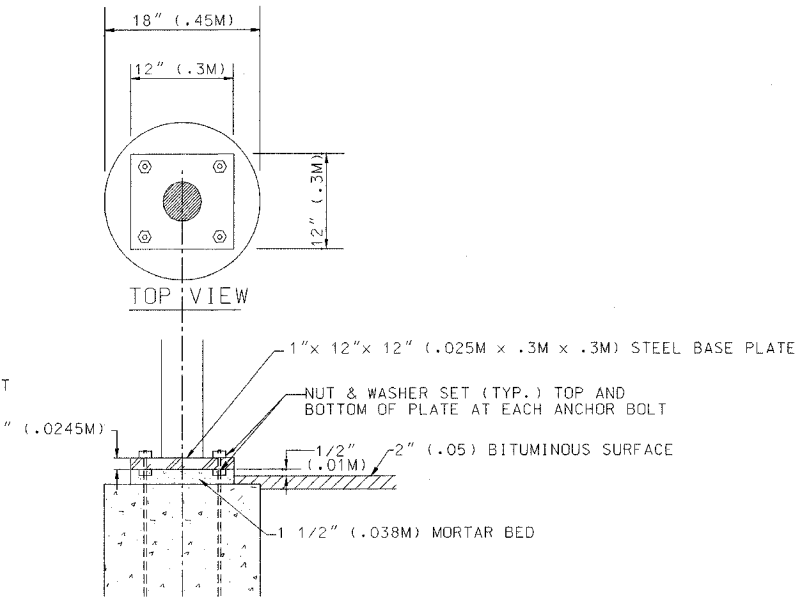
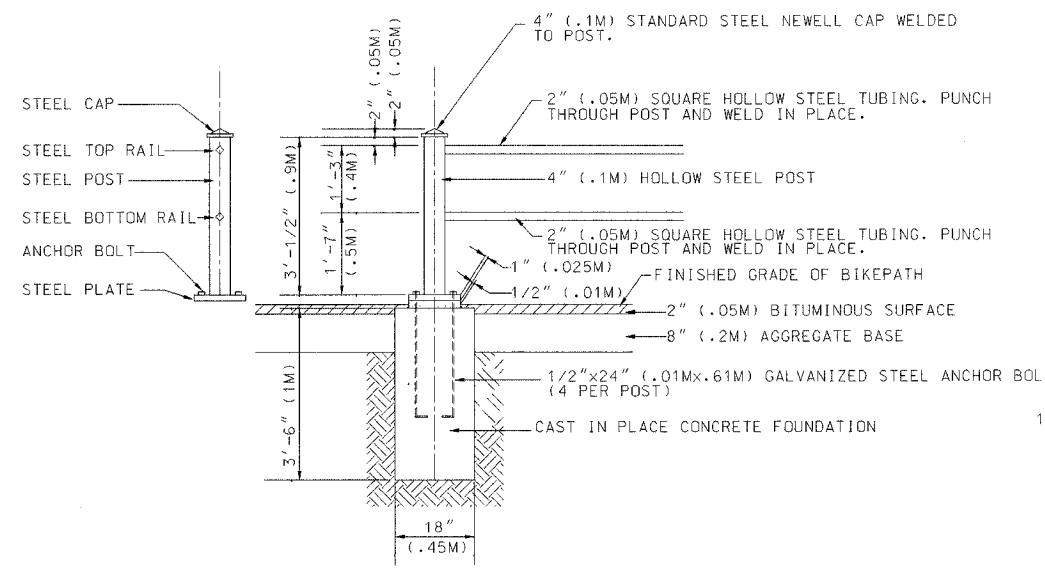
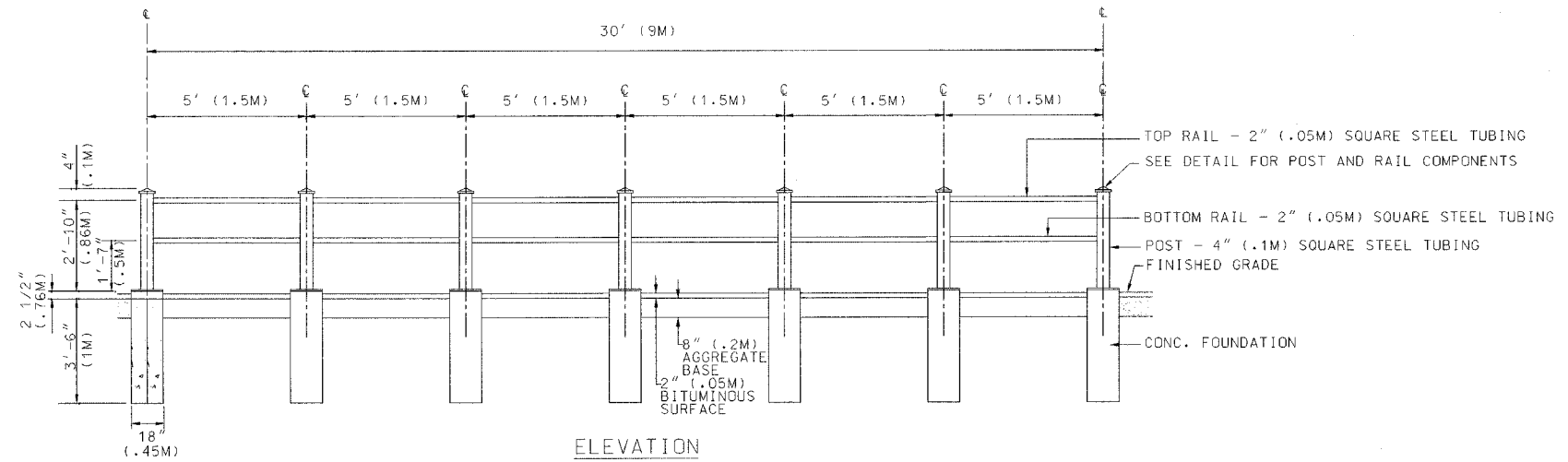


| F.A.I. RTE. | SECTION | COUNTY | TOTAL SHEETS | SHEET NO. |
|--------------------|---------|---------------------------|--------------|-----------|
| 80/94 | | COOK | 870 | 727A |
| STA. | | TO STA. | | |
| FED ROAD DIST. NO. | | ILLINOIS FED. AID PROJECT | | |



FOUNDATION, POST, AND RAILING DETAIL

BASE PLATE TO FOUNDATION

NOTE:
 ORNATMENTAL FENCE DETAIL AND SPECIAL
 PROVISION PROVIDED BY ROBINSON
 ENGINEERING ON BEHALF OF THE VILLAGE
 OF SOUTH HOLLAND.

| REVISIONS | |
|-----------|------|
| NAME | DATE |
| | |
| | |
| | |
| | |
| | |
| | |

ILLINOIS DEPARTMENT OF TRANSPORTATION
 I-94 EAST BOUND / IL 394 SOUTH BOUND

ORNAMENTAL FENCE
 DETAIL

HORIZ SCALE:
 VERT SCALE:
 DATE: JULY 18, 2005

DRAWN BY:
 CHECKED BY: