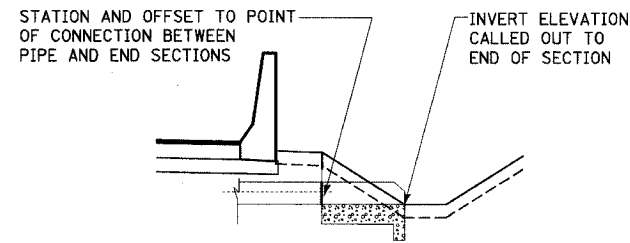
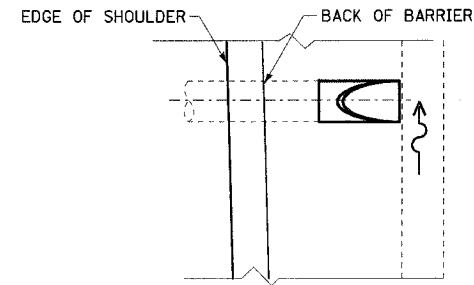


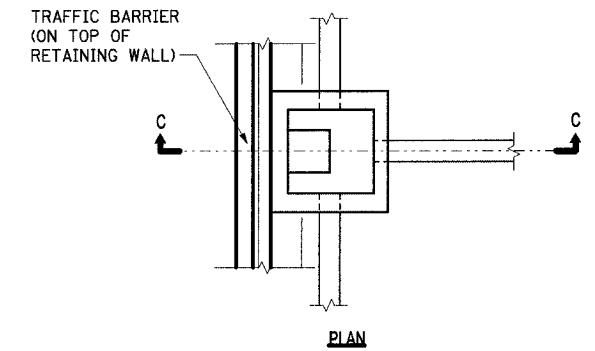
F.A.I. RTE	SECTION	COUNTY	TOTAL SHEETS	SHEET NO.
80/94	.	COOK	870	723
STA.		TO STA.		
FED ROAD DIST. NO.	ILLINOIS	FED. AID PROJECT		



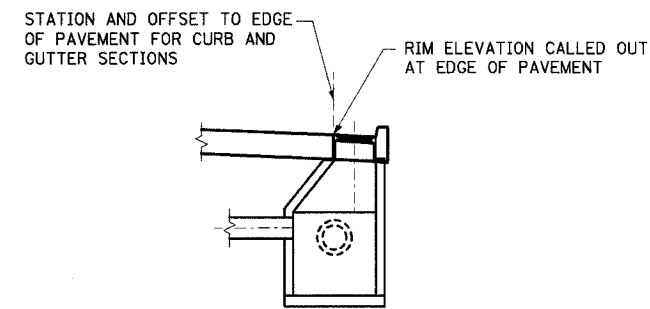
ELEVATION - FLARED END SECTION



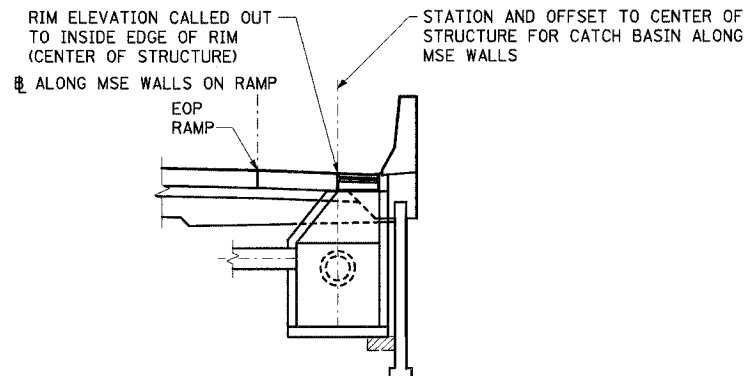
PLAN VIEW - FLARED END SECTION



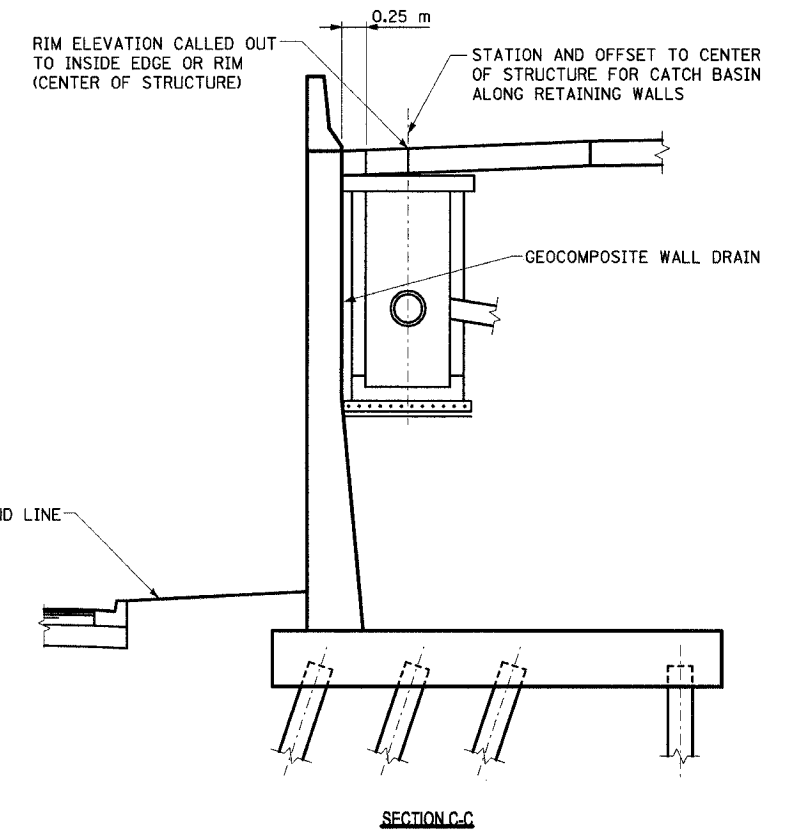
PLAN VIEW - CATCH BASINS ALONG RETAINING WALLS



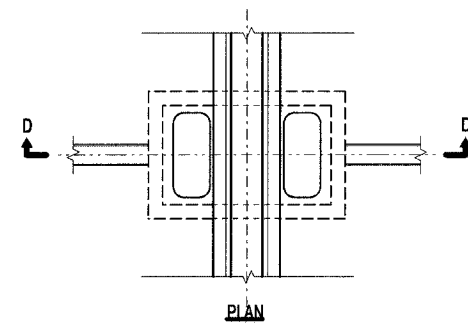
ELEVATION - CATCH BASIN W/CURB & GUTTER



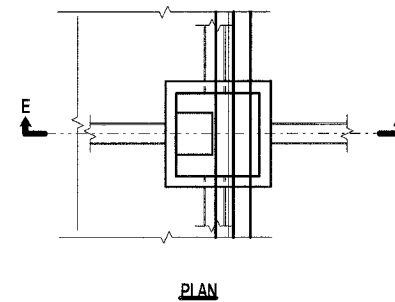
ELEVATION - CATCH BASINS ALONG MSE WALLS



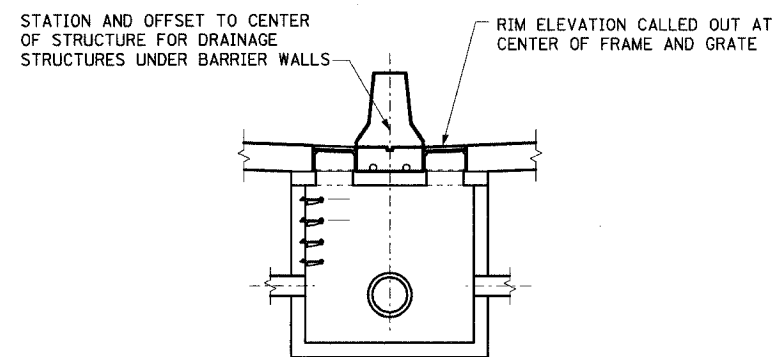
ELEVATION - CATCH BASIN ALONG RETAINING WALLS



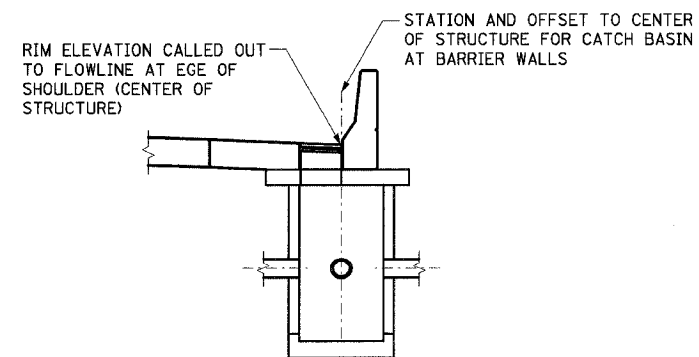
PLAN VIEW - DRAINAGE STRUCTURES UNDER BARRIER WALLS



PLAN VIEW - CATCH BASINS AT BARRIER WALLS



ELEVATION - DRAINAGE STRUCTURES UNDER BARRIER WALLS



ELEVATION - CATCH BASINS AT BARRIERS WALLS

REVISIONS	
NAME	DATE

ILLINOIS DEPARTMENT OF TRANSPORTATION
I-94 EAST BOUND / IL 394 SOUTH BOUND

DRAINAGE DETAILS
DRAINAGE STRUCTURE PLACEMENT

HORIZ SCALE: NONE
VERT SCALE: NONE
DATE: JULY 18, 2005

DRAWN BY: BAH
CHECKED BY: MAM

HNTB