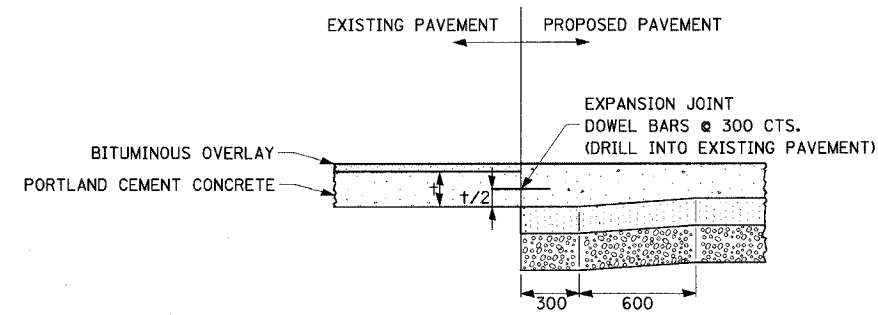
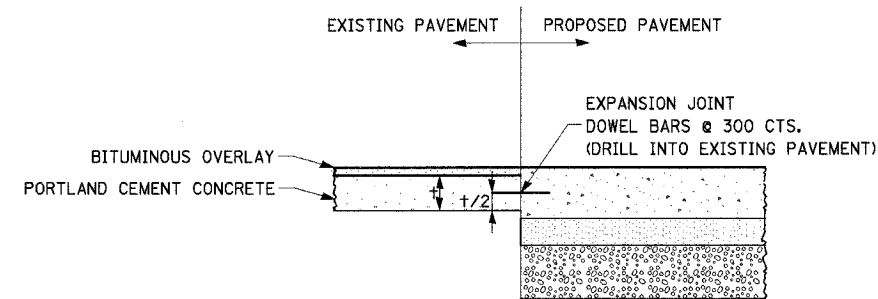


F.A.I. RTE	SECTION	COUNTY	TOTAL SHEETS	SHEET NO.
80/94	•	COOK	870	719
STA.		TO STA.		
FED ROAD DIST. NO.	ILLINOIS	FED. AID PROJECT		



AT LOCATION WHERE PROPOSED PAVEMENT THICKNESS IS LESS THAN EXISTING PAVEMENT THICKNESS (SEE NOTE 4)



AT LOCATION WHERE PROPOSED PAVEMENT THICKNESS IS GREATER THAN EXISTING PAVEMENT THICKNESS

NOTES:

1. ALL DIMENSIONS IN MILLIMETERS UNLESS OTHERWISE SHOWN.
2. SEE STANDARD 420001 FOR JOINT DETAILS NOT SHOWN.
3. THICKNESS - "t" = THICKNESS OF PAVEMENT.
4. ADDITIONAL THICKNESS OF THE PROPOSED PAVEMENT IS INCLUDED IN THE PAY ITEM AND WILL NOT BE PAID FOR SEPARATELY.

REVISIONS	
NAME	DATE

ILLINOIS DEPARTMENT OF TRANSPORTATION
I-94 EAST BOUND / IL 394 SOUTH BOUND

PROPOSED TO EXISTING PAVEMENT TRANSITION DETAIL

HORIZ SCALE:
VERT SCALE:
DATE: JULY 18, 2005

DRAWN BY: SSH
CHECKED BY: BJM

