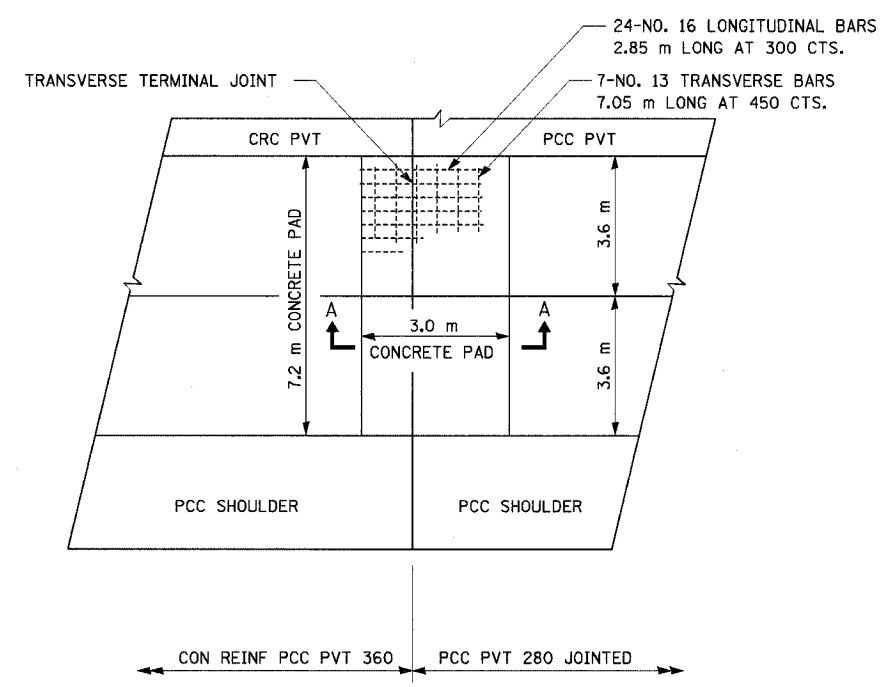
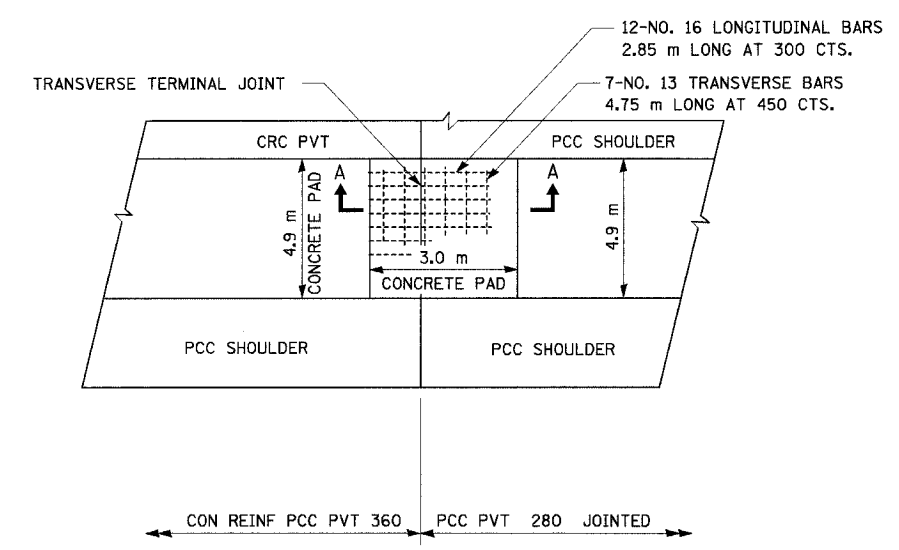


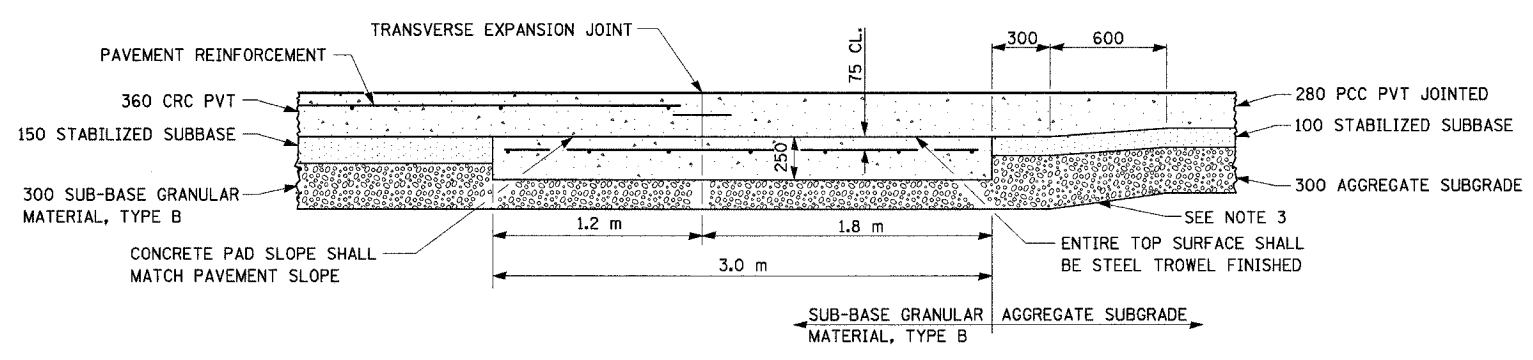
F.A.I. RTE	SECTION	COUNTY	TOTAL SHEETS	SHEET NO.
80/94	•	COOK	870	717
STA.		TO STA.		
FED ROAD DIST. NO.		ILLINOIS	FED. AID PROJECT	



RAMP K



I-94 WB TO 159TH STREET EB



SECTION A-A

NOTES:

1. ALL DIMENSIONS ARE IN MILLIMETERS UNLESS OTHERWISE SHOWN.
2. THE CONCRETE PAD SHALL BE CONSTRUCTED IN ACCORDANCE WITH THE APPLICABLE PORTIONS OF SECTION 421 OF THE STANDARD SPECIFICATIONS.
3. THE SLEEPER SLAB WILL BE INCLUDED IN THE COST OF CONTINUOUSLY REINFORCED PORTLAND CEMENT CONCRETE PAVEMENT 360MM AND WILL NOT BE PAID FOR SEPARATELY.
4. ADDITIONAL THICKNESS OF AGGREGATE SUBGRADE, 300 IS INCLUDED IN THE PAY ITEM AND WILL NOT BE PAID FOR SEPARATELY.

REVISIONS	
NAME	DATE

ILLINOIS DEPARTMENT OF TRANSPORTATION  
I-94 EAST BOUND / IL 394 SOUTH BOUND

SLEEPER SLAB DETAIL

HORIZ SCALE:  
VERT SCALE:  
DATE: JULY 18, 2005

DRAWN BY: BJM  
CHECKED BY: AYR

**HNTB**