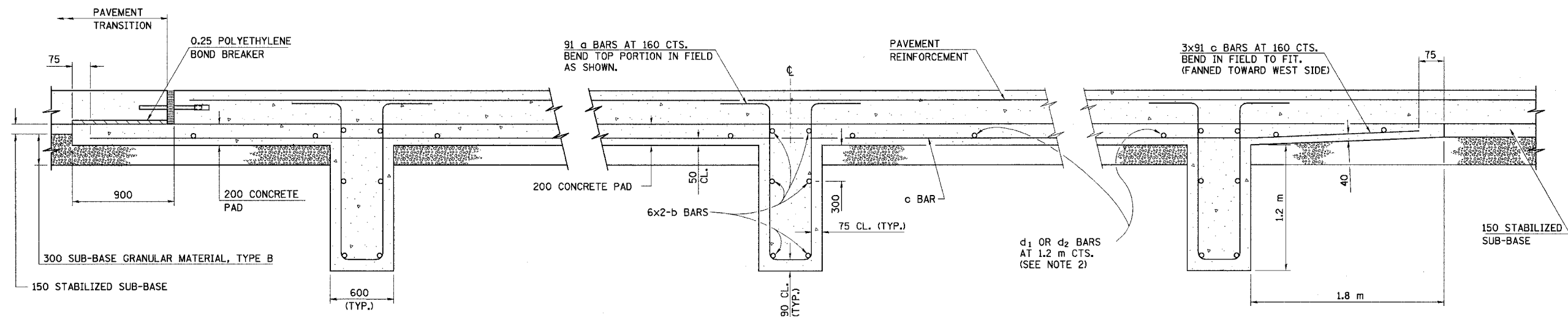


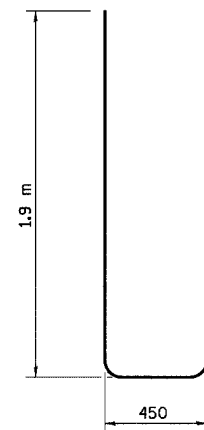
FAI	SECTION	COUNTY	TOTAL SHEETS	SHEET NO.
80/94	•	COOK	870	716
STA.		TO STA.		
FED ROAD DIST. NO.		ILLINOIS FED. AID PROJECT		



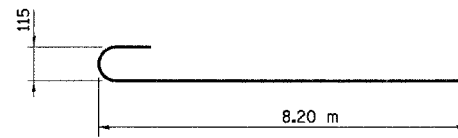
SECTION AT LUG Y

SECTION AT LUG X

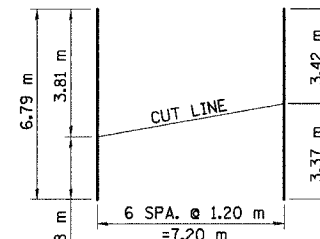
SECTION AT LUG W



BAR a



BAR b



CUTTING DIAGRAM BAR d2

MATERIALS REQUIRED FOR (1) ONE LUG SYSTEM (EXCLUDING PAVEMENT CONCRETE AND PAVEMENT REINFORCEMENT)				
BAR NO.	SIZE	LENGTH	SHAPE	
a	273 No. 25	4.25 m		
b	36 No. 15	8.39 m		
c	273 No. 15	6.10 m		
d1	42 No. 10	3.52 m		
d2	7 No. 10	6.79 m		
CONCRETE, m ³				30.8
REINFORCING BARS, kg				7795
CONCRETE PAD, m ²				231.3
SUBBASE GRANULAR MATERIAL, TYPE B, m ²				218.4

NOTES:

- ALL DIMENSIONS IN MILLIMETERS UNLESS OTHERWISE SHOWN.
- d₂ BARS ARE PLACED IN REGION A, SHOWN ON SHEET 712 of 870.

REVISIONS	
NAME	DATE

ILLINOIS DEPARTMENT OF TRANSPORTATION
I-94 EAST BOUND / IL 394 SOUTH BOUND

LUG SYSTEM COMPL. SPL.

HORIZ SCALE:
VERT SCALE:
DATE: JUL 18, 2005

DRAWN BY: LK
CHECKED BY: PY

HNTB