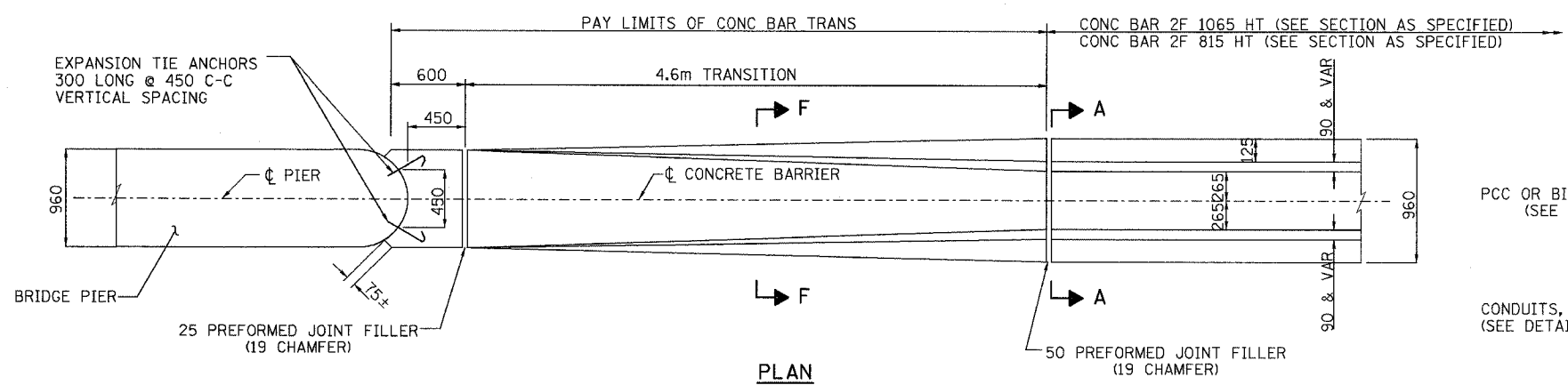
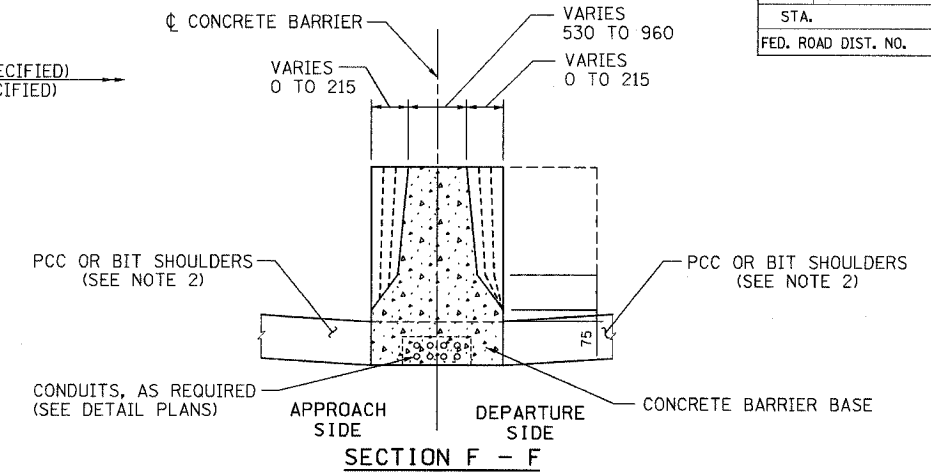


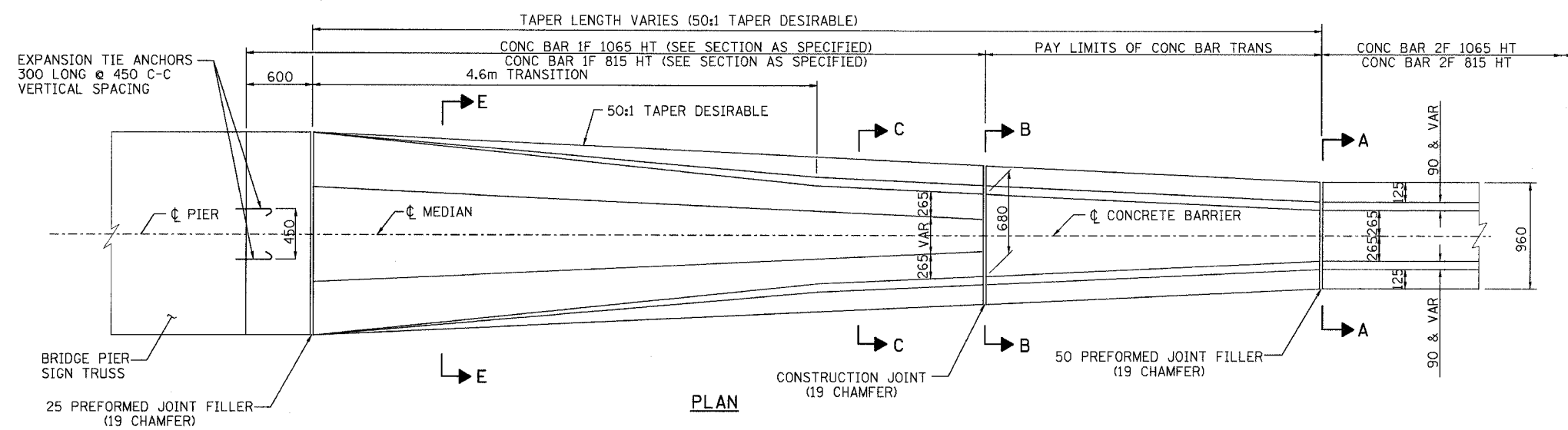
F.A.I. RTE.	SECTION	COUNTY	TOTAL SHEETS	SHEET NO.
80/94	*	COOK	870	709
STA.		TO STA.		
FED. ROAD DIST. NO.		ILLINOIS FED. AID PROJECT		



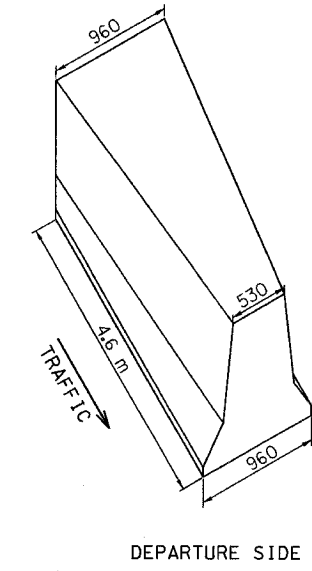
PLAN



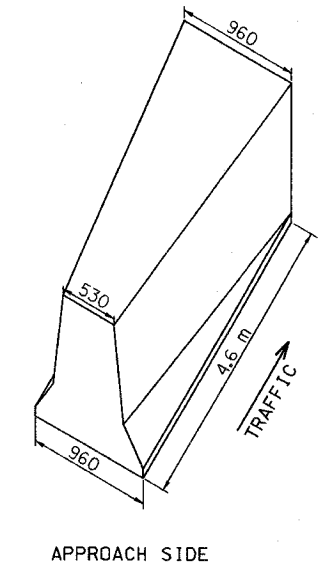
SECTION F - F



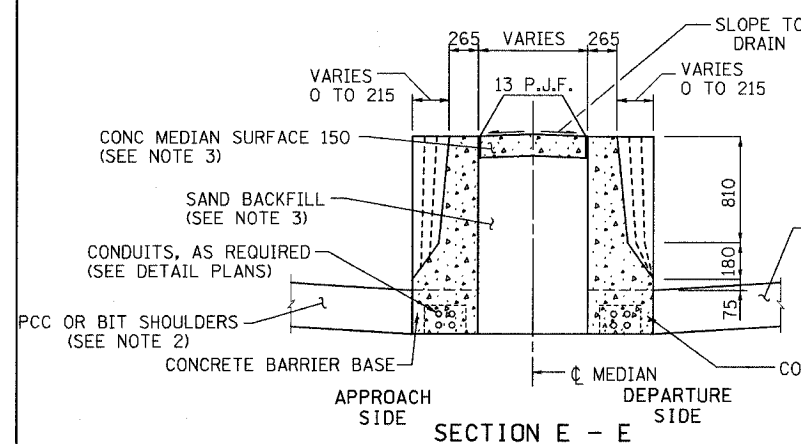
PLAN



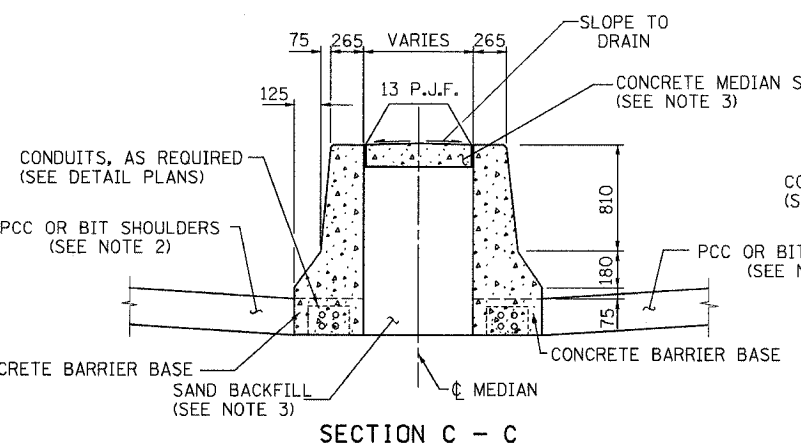
DEPARTURE SIDE



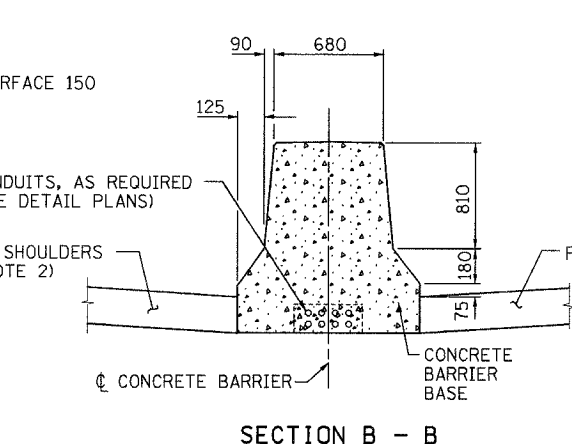
APPROACH SIDE



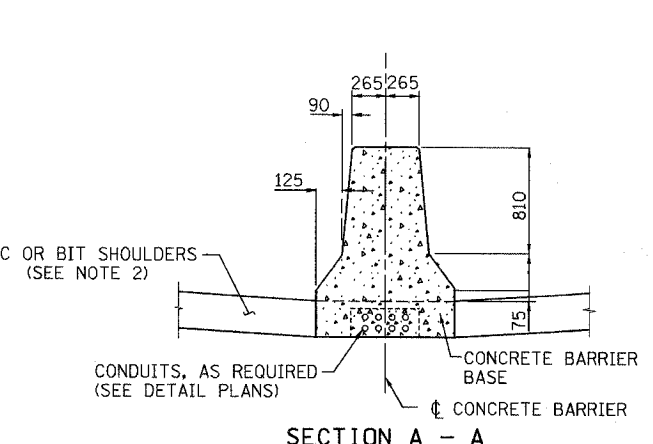
SECTION E - E



SECTION C - C



SECTION B - B



SECTION A - A

NOTES:

- 1) FOR ADDITIONAL CONCRETE BARRIER DETAILS, INCLUDING TIE BAR PLACEMENT, SEE THE TYPICAL SECTION SHEETS AND CONCRETE BARRIER DETAILS, OF THE HEIGHT SPECIFIED.
- 2) FOR ADDITIONAL SHOULDER DETAILS SEE TYPICAL SECTIONS, PIPE UNDERDRAIN & SHOULDER DETAILS SHEET AND STANDARDS 601001, 482006, 483001 & 482001.
- 3) SAND BACKFILL AND CONCRETE MEDIAN SURFACE 150 WILL BE REQUIRED. FILLING WITH CONCRETE WILL NOT BE ALLOWED. THIS WORK SHALL BE PAID FOR SEPARATELY.

- 4) FURNISHING AND INSTALLING THE PREFORMED JOINT FILLER OF THE SIZE SPECIFIED SHALL BE INCLUDED IN THE COST OF THE CONCRETE BARRIER OF THE TYPE INVOLVED.
- 5) FURNISHING AND INSTALLING THE 19 EXPANSION TIE ANCHORS SHALL BE INCLUDED IN THE COST OF THE CONCRETE BARRIER OF THE TYPE INVOLVED.
- 6) THE REMOVAL OF THE EXISTING CONCRETE END BLOCKS IF APPLICABLE SHALL BE INCLUDED IN THE COST OF THE CONCRETE BARRIER OF THE TYPE INVOLVED.

REVISIONS	
NAME	DATE
MDV	01/30/04
MRN	3/29/04
MRN	8/04/05
NLP	8/04/05

ILLINOIS DEPARTMENT OF TRANSPORTATION
F.A.I. ROUTE 80/94 (KINGERY EXPRESSWAY)

**CONCRETE BARRIER
DETAILS
SHEET 2 OF 2**

SCALE NONE
DATE 10/03

DRAWN BY ACE/CAD
CHECKED BY

AMERICAN
CONSULTING ENGINEERS