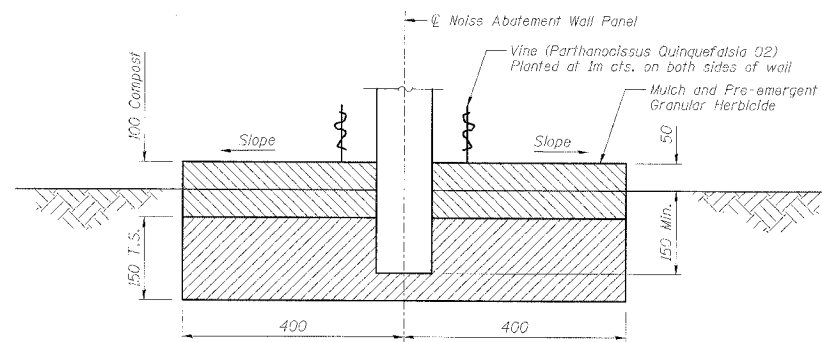


STATE OF ILLINOIS
DEPARTMENT OF TRANSPORTATION

ROUTE NO.	SECTION	COUNTY	TOTAL SHEETS	SHEET NO.
F.A.I. 80/94	*	COOK	870	695
FED. ROAD DIST. NO. 1	ILLINOIS	FED. AID PROJECT		

SHEET NO. 3
12 SHEETS

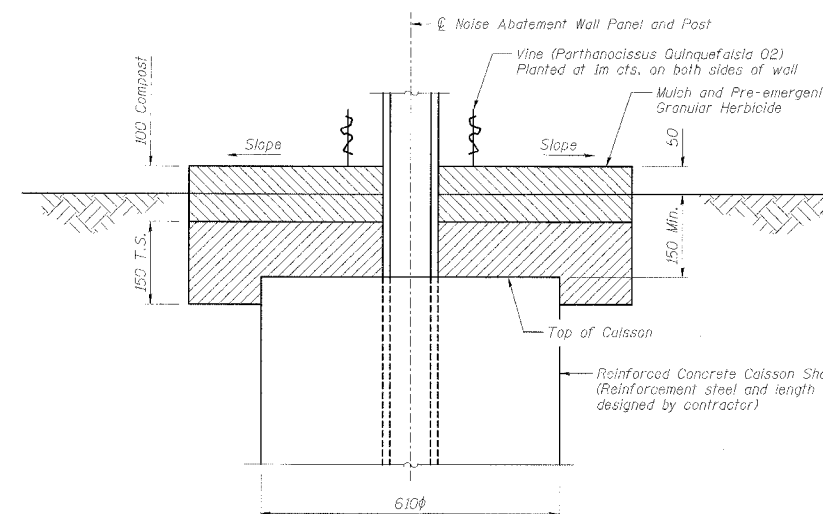
*(0203.1 & 0312-708W) R-3 CONTRACT #62108



BOTTOM OF PANEL DETAIL

LEGEND

- Topsoil, 150mm
- Compost, 100mm



FOUNDATION DETAIL

NOISE ABATEMENT WALL, GROUND MOUNTED DETAILS

NOTES

1. T.S. denotes Top Soil.
2. Compost and Top Soil shall be thoroughly rototilled to a depth of 250mm prior to planting.
3. Mulch cover shall be placed over compost according to IDOT Standard Specification Section 253.11 except that no weed barrier fabric is required. Cost of mulch is included with payment for "Vines".
4. Pre-emergent Granular Herbicide shall be placed in mulched area according to the special provision.
5. All dimensions are in millimeters (mm) except as noted.

DESIGNED	LAS
CHECKED	DAZ
DRAWN	SAW
CHECKED	DAZ

ILLINOIS DEPARTMENT OF TRANSPORTATION
FAI ROUTE 80 (INTERSTATE 80/94)
INTERSTATE 294 TO US ROUTE 41
NOISE ABATEMENT WALL DETAILS

DATE JULY 18, 2005
SCALE

BRANCO & ZROKA
ENGINEERING, P.C.