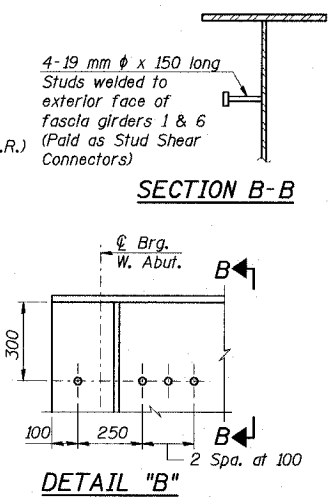
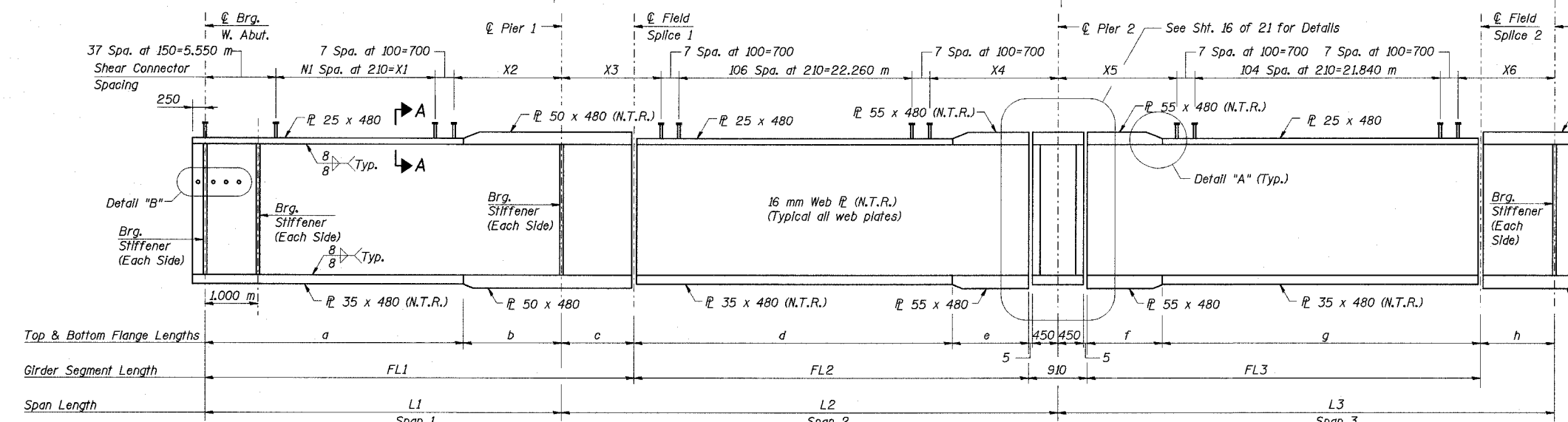
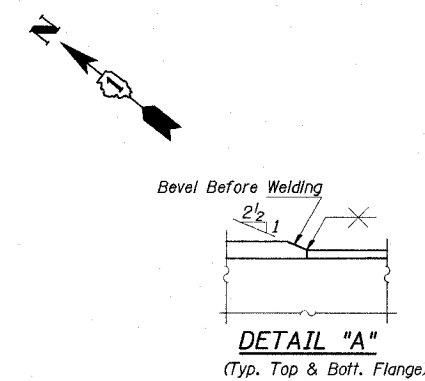
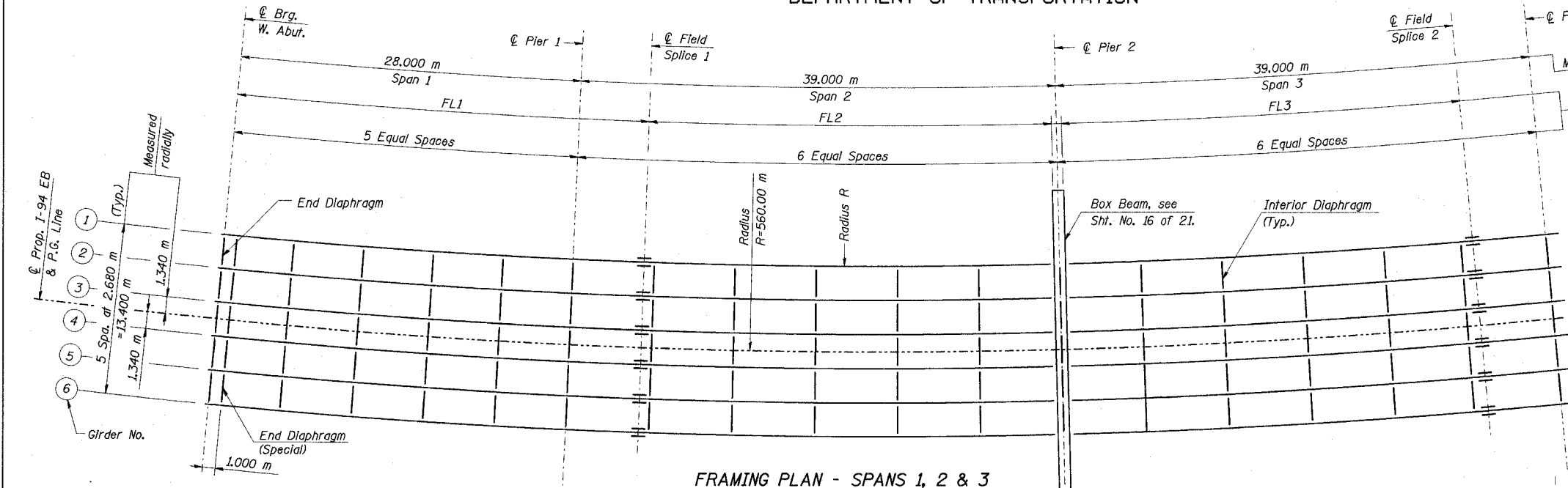


STATE OF ILLINOIS
DEPARTMENT OF TRANSPORTATION

ROUTE NO.	SECTION	COUNTY	TOTAL SHEETS	SHEET NO.	SHEET NO. 20
F. A. I. 80/94	*	COOK	870	630	56 SHEETS
FED. ROAD DIST. NO. 1		ILLINOIS FED. AID PROJECT-		CONTRACT NO. 62108	
0203.1 & 0312-708WR-3					



ELEVATION - GIRDERS

(All Plates AASHTO M270 Grade 345)
(N.T.R. denotes plates to which notch toughness requirements are applicable)

GIRDER SPAN LENGTH (Meters)

Girder	L1	L2	L3
1	27.665	38.533	38.533
2	27.799	38.720	38.720
3	27.933	38.907	38.907
4	28.067	39.093	39.093
5	28.201	39.280	39.280
6	28.335	39.467	39.467

SHEAR CONNECTOR SPACING (Length In Meters)

Girder	N1	X1	X2	X3	X4	X5	X6
1	65	13.650	7.765	6.308	8.565	8.724	6.569
2	66	13.860	7.689	6.160	8.900	8.986	6.494
3	66	13.860	7.823	6.294	8.953	9.095	6.572
4	66	13.860	7.957	6.411	9.022	9.198	6.655
5	67	14.070	7.881	6.446	9.174	9.318	6.722
6	67	14.070	8.015	6.610	9.197	9.346	6.881

GIRDER DIMENSIONS (Meters)

Girder	Radius R	Span 1			Span 2			Span 3		
		a	b	c	d	e	f	g	h	
1	553.300	20.195	7.470	5.460	25.048	7.571	7.571	25.013	5.494	
2	555.980	20.292	7.507	5.486	25.169	7.610	7.610	25.135	5.520	
3	558.660	20.390	7.543	5.513	25.290	7.648	7.649	25.256	5.547	
4	561.340	20.488	7.579	5.539	25.412	7.687	7.688	25.377	5.574	
5	564.020	20.586	7.615	5.566	25.533	7.726	7.727	25.498	5.600	
6	566.700	20.684	7.651	5.592	25.654	7.765	7.765	25.619	5.627	

GIRDER SEGMENT LENGTH (Meters)

Girder	FL1	FL2	FL3
1	33.125	32.618	32.585
2	33.285	32.779	32.745
3	33.446	32.939	32.905
4	33.606	33.099	33.065
5	33.767	33.259	33.225
6	33.927	33.419	33.385

DESIGNED	MIL/JY
CHECKED	MAS
DRAWN	LK
CHECKED	KGN

- Notes:
- All dimensions are in millimeters (mm) except as noted.
 - Work this sheet with Sheet Nos. 11 & 12 of 21
 - Place all diaphragms radially.
 - See Section A-A on Sht. No. 13 of 21.

ILLINOIS DEPARTMENT OF TRANSPORTATION
I-94 EAST BOUND / IL 394 SOUTH BOUND
FRAMING PLAN & GIRDER ELEVATION
1 OF 2
EB I-94 OVER THORN CREEK
F.A.I. 94 SECTION (0203.1 & 0312-708W) R-3
COOK COUNTY
STA. 20+509.000 STRUCTURE NO. 016-2807
DATE JUL 18, 2005
SCALE ---
HNTB

L:\Kellie\JA\34562\CADD\BNSN_2807\Cds\CTR_19_2807\Fp\90014a_2807.dgn
 18-AUG-2005 13:25