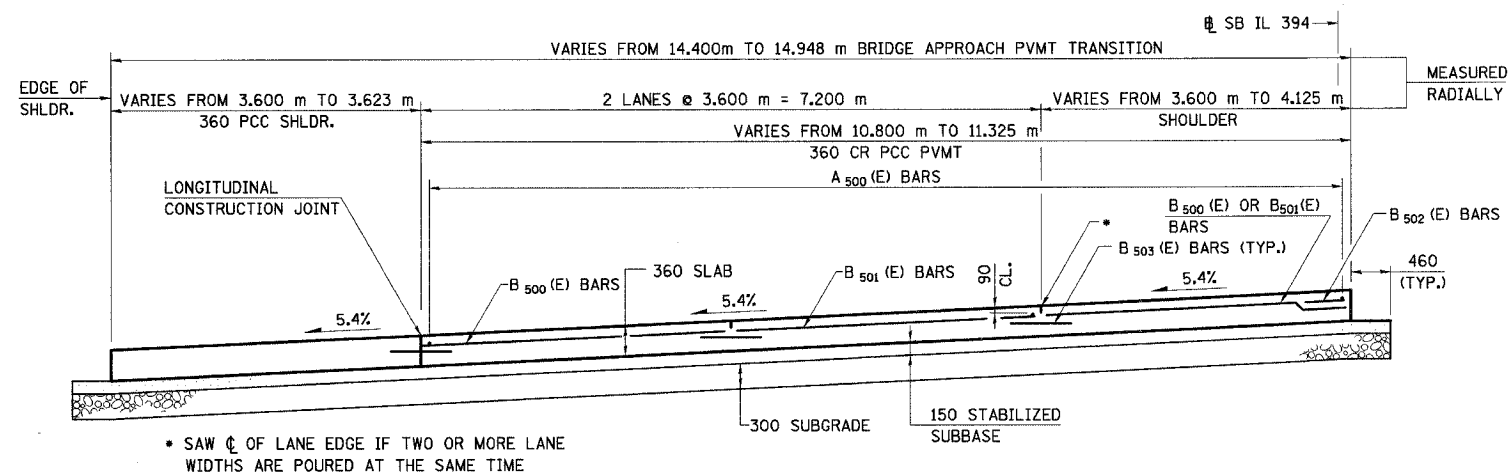
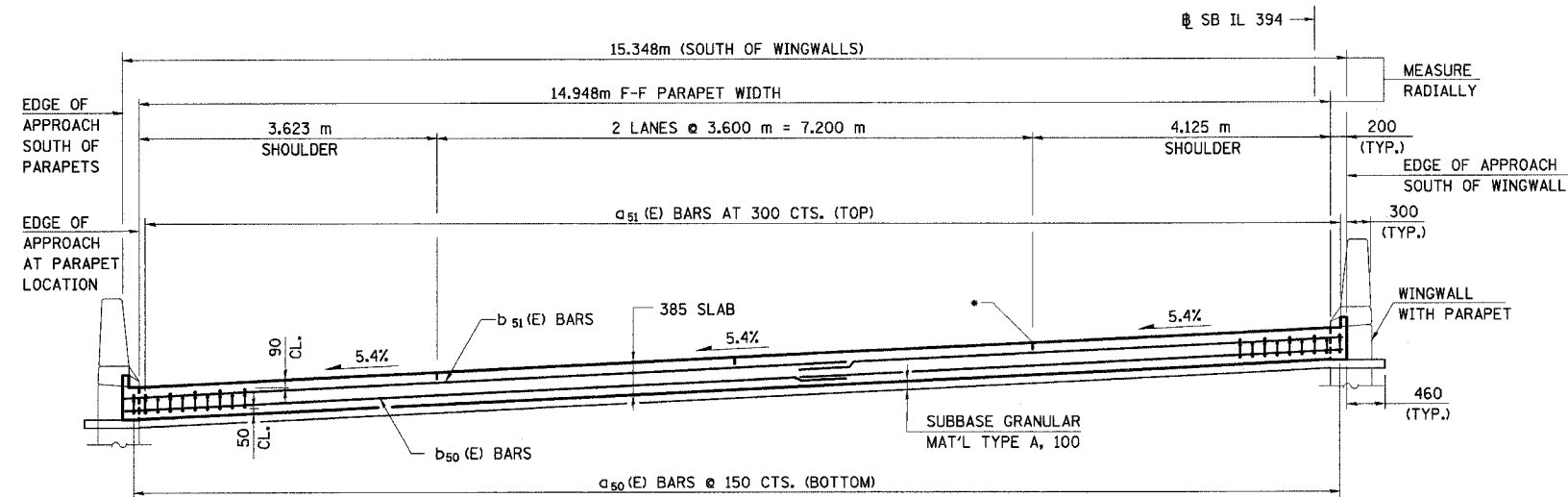


FAI RTE	SECTION	COUNTY	TOTAL SHEETS	SHEET NO.
80/94		COOK	870	607
STA.	TO STA.			
FED ROAD DIST. NO.	ILLINOIS	FED. AID PROJECT		

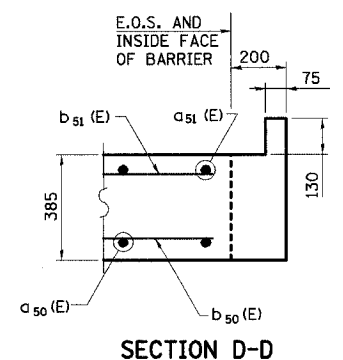


• SAW  $\phi$  OF LANE EDGE IF TWO OR MORE LANE WIDTHS ARE POURED AT THE SAME TIME

**SECTION A-A**



**SECTION B-B**



**SECTION D-D**

**NOTES:**  
WORK THIS SHEET WITH SHEET NO. 606 OF 870

REVISIONS	
NAME	DATE

ILLINOIS DEPARTMENT OF TRANSPORTATION  
I-94 EAST BOUND / IL 394 SOUTH BOUND  
**BRIDGE APPROACH PAVEMENT (SPECIAL)  
& PAVEMENT TRANSITION**  
SB IL RTE 394 OVER THORN CREEK  
STRUCTURE NO. 2800  
SOUTH APPROACH - 2 OF 2

HORIZ SCALE:  
VERT SCALE:  
DATE: JUL 18, 2005

DRAWN BY: LK  
CHECKED BY: PY

**HNTB**