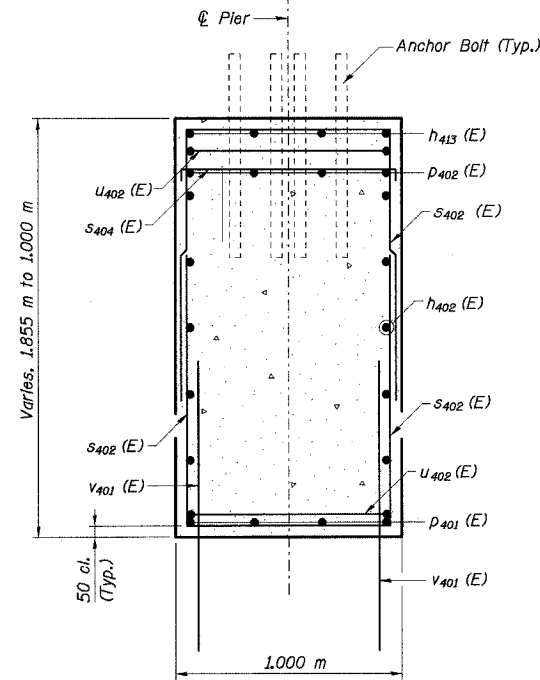
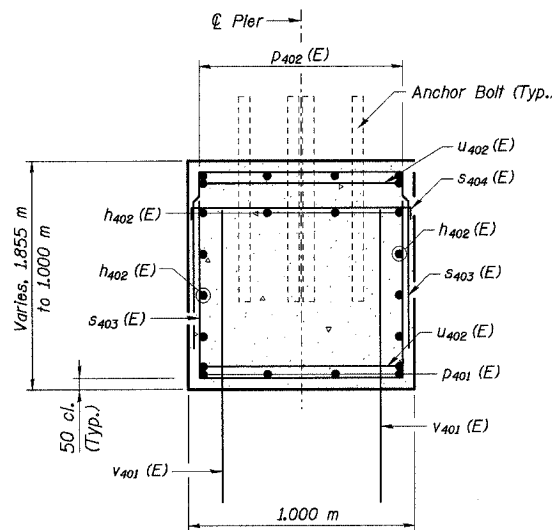


STATE OF ILLINOIS  
DEPARTMENT OF TRANSPORTATION

ROUTE NO.	SECTION	COUNTY	TOTAL SHEETS	SHEET NO.	SHEET NO. 80
F. A. I. 80/94	*	COOK	870	594	91 SHEETS
FED. ROAD DIST. NO. 1		ILLINOIS	FED. AID PROJECT-	CONTRACT NO. 62108	
02033.1 & 0312-708W		R-3			



SECTION A-A

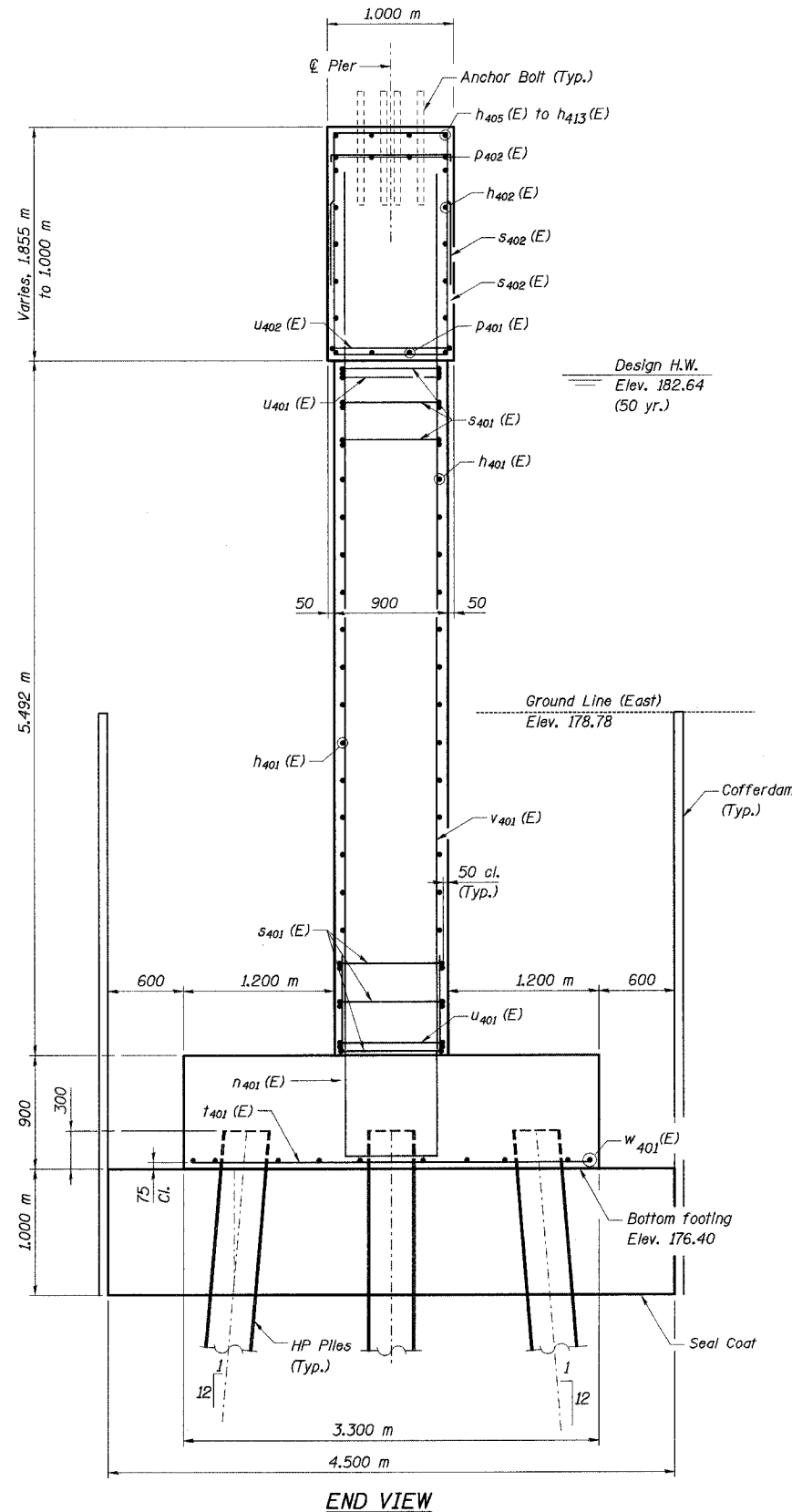


SECTION B-B

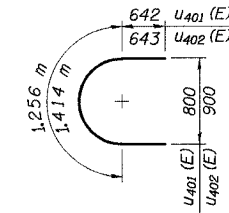
PILE DATA

Type: HP 360x108  
Capacity: 650 kN (Driven to 975 kN Bearing)  
Est. Length: 8.2 m  
No. Req'd: 60 (Includes 2 test piles)  
Test Piles driven to 1460 kN

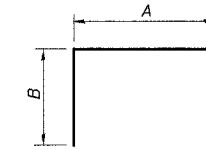
DESIGNED	DBT
CHECKED	BDL
DRAWN	SKM
CHECKED	DBT



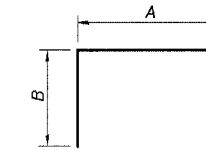
END VIEW



BAR U401 (E) & U402 (E)



BARS S401 (E) - S404 (E) & n401 (E)



BARS n402 (E)

A & B DIMENSIONS

Bar	A	B
S401 (E)	800	260
S402 (E)	900	1200
S403 (E)	900	950
S404 (E)	900	260
n401 (E)	800	2200
n402 (E)	400	2200

Notes:

1. Work this Sheet with Sheet No. 79 of 91.
2. All dimensions are in millimeters (mm) except as noted.

BILL OF MATERIAL

Bar	No.	Size	Length (m)	Shape
h401 (E)	92	#15	11.470	—
h402 (E)	2	#15	11.980	—
h403 (E)	2	#15	5.600	—
h404 (E)	4	#15	2.030	—
h405 (E)	4	#15	3.060	—
h406 (E)	8	#15	2.720	—
h407 (E)	4	#15	2.930	—
h408 (E)	8	#15	2.690	—
h409 (E)	4	#15	2.540	—
h410 (E)	4	#15	2.470	—
h411 (E)	4	#15	1.510	—
n401 (E)	92	#25	5.180	L
n402 (E)	12	#25	2.600	L
P401 (E)	8	#25	11.810	—
P402 (E)	8	#25	12.180	—
S401 (E)	380	#15	1.320	□
S402 (E)	90	#15	3.300	□
S403 (E)	60	#15	2.800	□
S404 (E)	26	#15	1.420	□
t401 (E)	99	#30	3.100	—
U401 (E)	38	#15	2.540	U
U402 (E)	13	#15	2.700	U
V401 (E)	164	#25	6.230	—
W401 (E)	30	#15	9.880	—
ITEM	UNIT	QUANTITY		
Cofferdam Excavation	m <sup>3</sup>	470		
Cofferdam	Each	1		
Concrete Structures	m <sup>3</sup>	236.8		
Reinforcement Bars, Epoxy Coated	kg	12,570		
Furnishing Steel Piles HP 360x108	m	476.0		
Driving Steel Piles	m	476.0		
Test Pile Steel HP 360x108	Each	2		
Controlled Low Strength Material	m <sup>3</sup>	6.9		
Seal Coat Concrete	m <sup>3</sup>	133.4		

ILLINOIS DEPARTMENT OF TRANSPORTATION  
I-94 EAST BOUND / IL 394 SOUTH BOUND  
PIER 4 SECTION & DETAILS

SB IL ROUTE 394 OVER THORN CREEK  
F.A.P. 332 SECTION (02033.1 & 0312-708W) R-3  
COOK COUNTY  
STA. 440+704.350 STRUCTURE NO. 016-2800

DATE JUL 18, 2005  
SCALE ---

HNTB

I:\K11\145\14562\CADD\B1\SN\_2800\pda\CTP\_19\_2800\pda\190424\_2800.dgn  
 22-AUG-2005 09:51