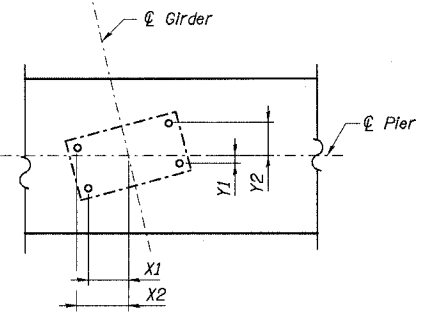
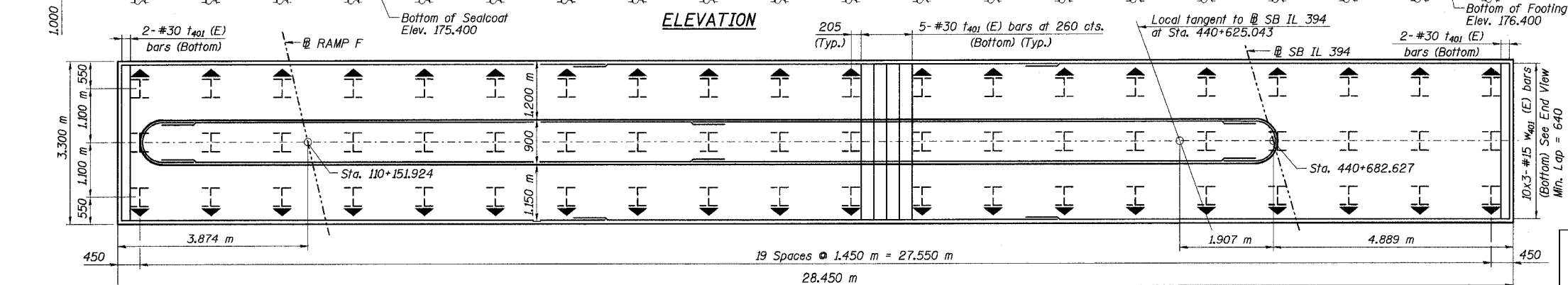
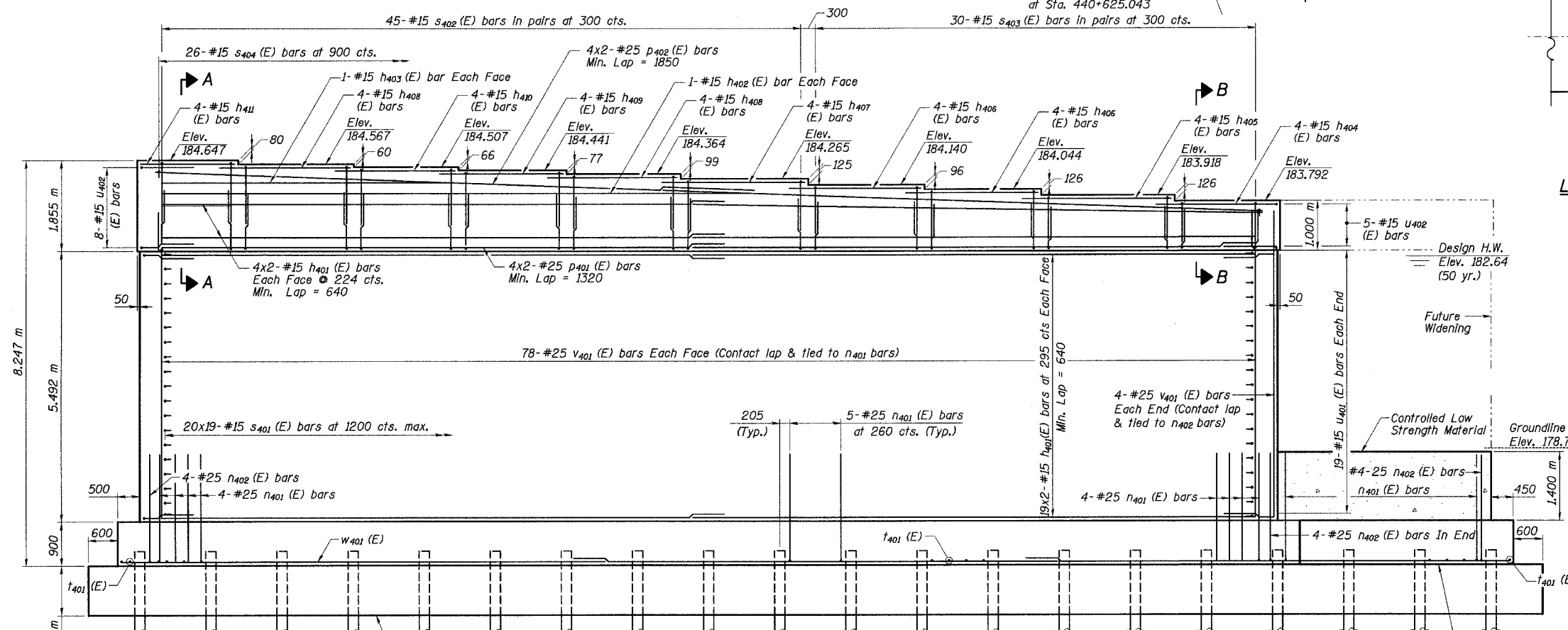
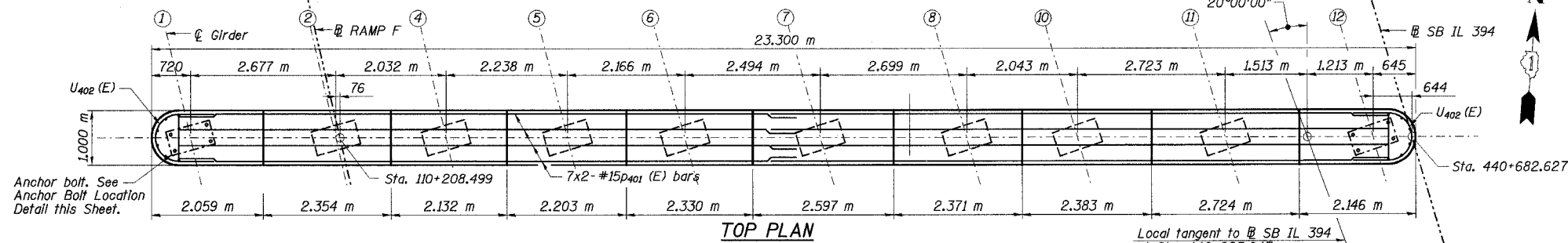


STATE OF ILLINOIS
DEPARTMENT OF TRANSPORTATION

ROUTE NO.	SECTION	COUNTY	TOTAL SHEETS	SHEET NO.	SHEET NO. 79 91 SHEETS
F. A. I. 80/94	*	COOK	870	593	
FED. ROAD DIST. NO. 1		ILLINOIS	FED. AID PROJECT-		
(02033.1 & 0312-708W) R-3		CONTRACT NO. 62108			



ANCHOR BOLT
LOCATION DETAILS

Gir.	X1	X2	Y1	Y2
1	292	370	56	234
2	292	370	56	234
4	287	371	49	239
5	285	371	46	242
6	283	372	42	244
7	282	372	41	245
8	282	372	41	245
10	277	372	34	251
11	277	372	34	251
12	277	372	33	251

- Notes:
1. Work this sheet with No. 80 of 91.
 2. Space reinforcement in cap to miss anchor bolts.
 3. Pour steps monolithically with cap.
 4. All dimensions are in millimeters (mm) except as noted.
 5. Reinforcement Bars designated (E) shall be epoxy coated.
 6. For Bill of Materials and bar bending diagrams, See Sheet No. 74 of 91 Sheets.
 7. Bars indicated thus "11x3-#15 cts." indicates 11 lines of bars with 3 lengths per line.
 8. For bearing orientation, see Sheet No. 55 of 91.

Indicates Battered Pile

I:\K11125
 14\34562\CADD\BIA\SN-28800\CAD\CTR_19_28800\p0198414a_28800.dgn
 22-AUG-2005 09:49

DESIGNED	DBT
CHECKED	BDL
DRAWN	SKM
CHECKED	DBT

ILLINOIS DEPARTMENT OF TRANSPORTATION
I-94 EAST BOUND / IL 394 SOUTH BOUND

PIER 4 PLAN & ELEVATION

SB IL ROUTE 394 OVER THORN CREEK
F.A.P. 332 SECTION (02033.1 & 0312-708W) R-3
COOK COUNTY
STA. 440+704.350 STRUCTURE NO. 016-2800
DATE JUL 18, 2005
SCALE ---

HNTB