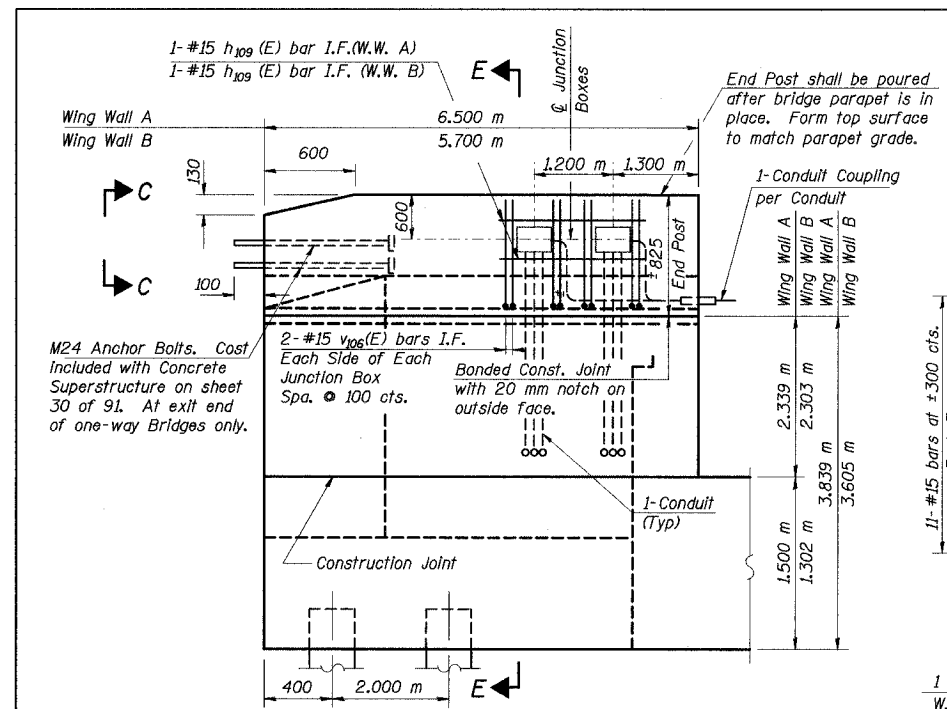


STATE OF ILLINOIS
DEPARTMENT OF TRANSPORTATION

ROUTE NO.	SECTION	COUNTY	TOTAL SHEETS	SHEET NO.	SHEET NO. 66
F. A. I. 80/94		COOK	870	580	91 SHEETS
FED. ROAD DIST. NO. 1 ILLINOIS FED. AID PROJECT-			CONTRACT NO. 62108		

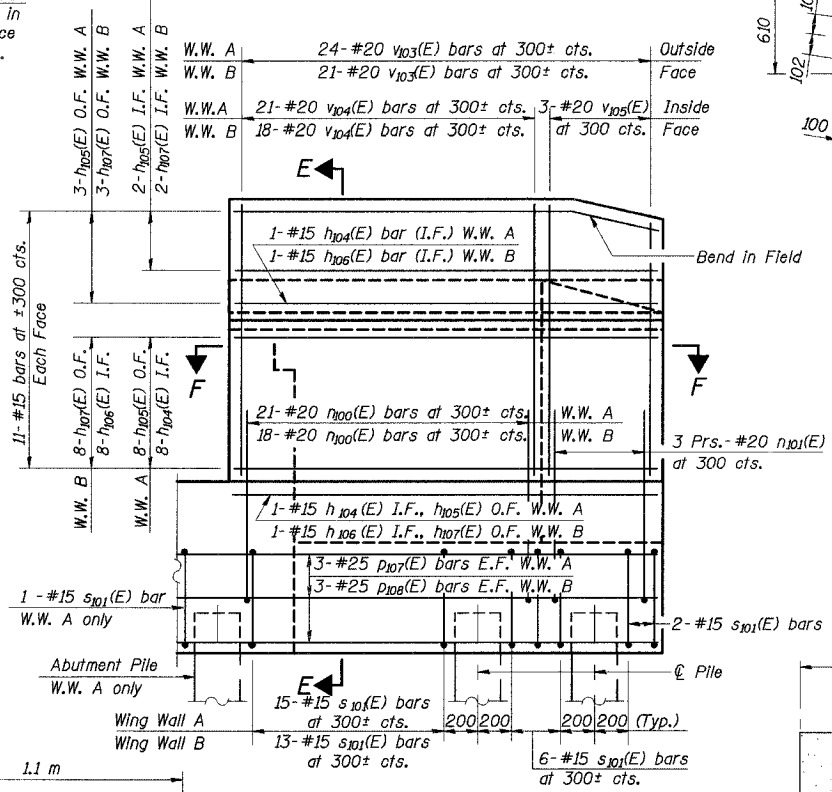


WING WALL A & B ELEVATION

General Contractor to coordinate with the Electrical Contractor before embedding the conduits and junction boxes.

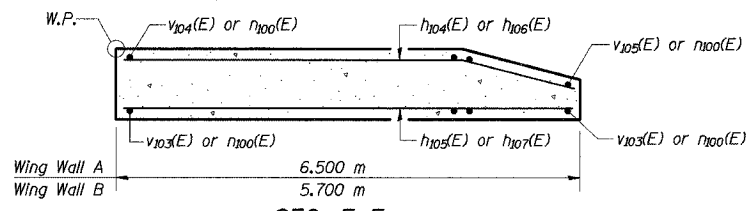
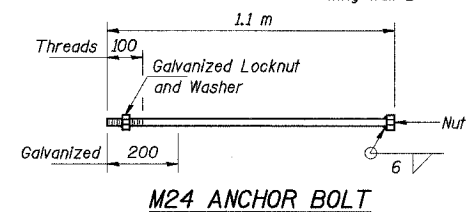
Showing Dimensions and Junction Box and Conduit Details

Note: Number of Junction Boxes in each Wing Wall:
Wing Wall A - 2 Junction Boxes
Wing Wall B - 2 Junction Boxes
Number of Conduits per Junction Box:
Wing Wall A - 2 Conduits
Wing Wall B - 3 Conduits

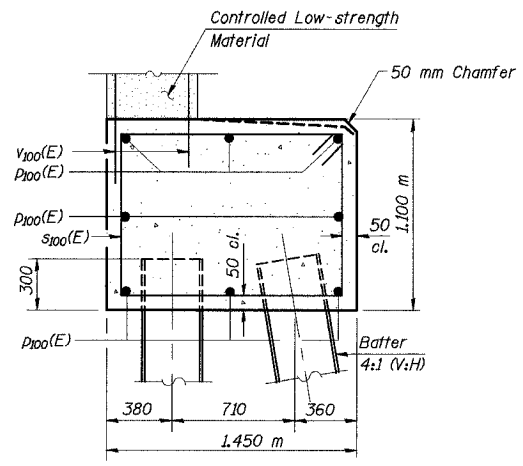


WING WALL A & B ELEVATION

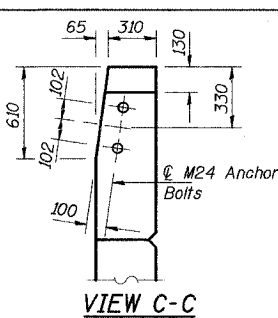
Showing Reinforcement



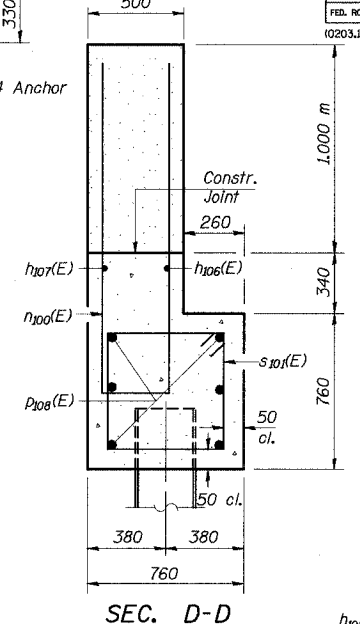
SECTION F-F



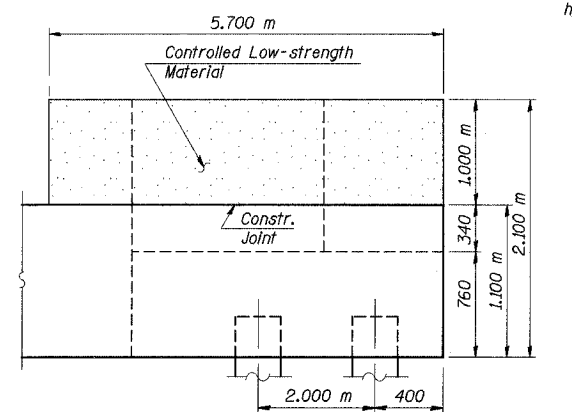
SECTION B-B



VIEW C-C

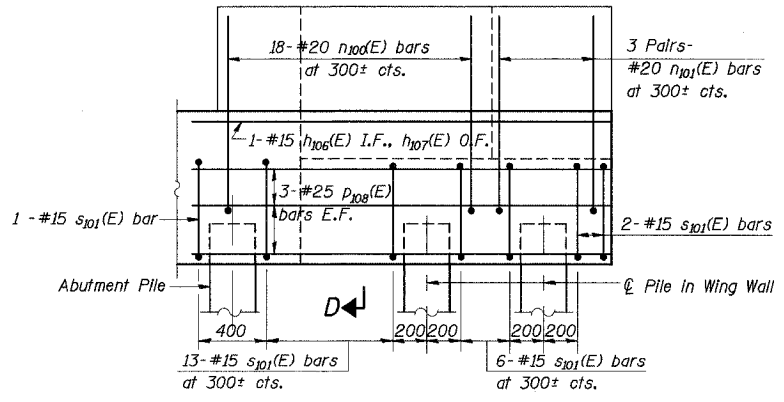


SEC. D-D



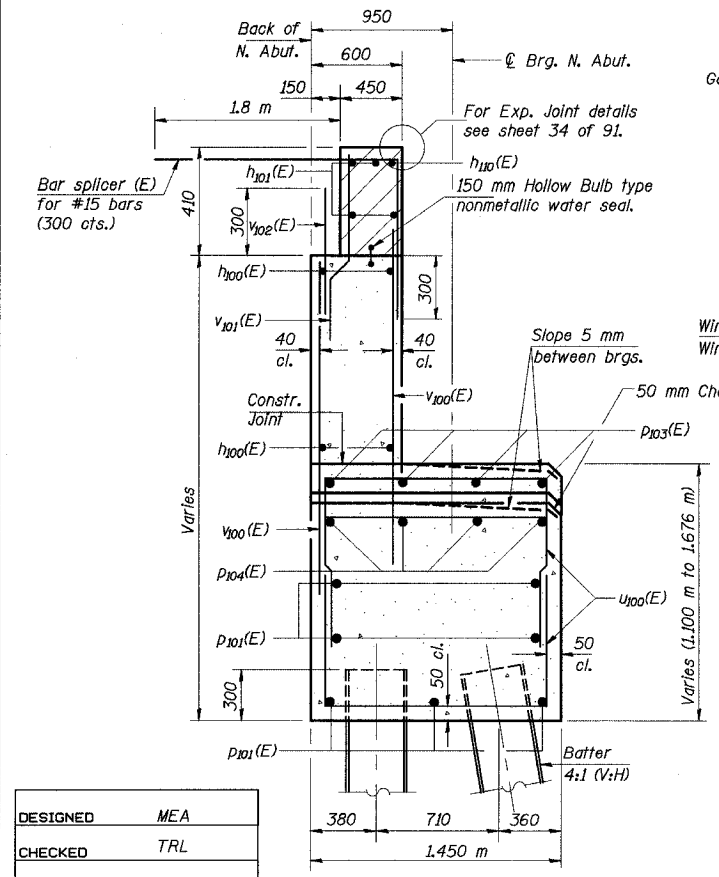
WING WALL C ELEVATION

Showing Dimensions



WING WALL C ELEVATION

Showing Reinforcement



SECTION A-A

SEC. THRU ABUT.

DESIGNED	MEA
CHECKED	TRL
DRAWN	LK
CHECKED	MEA

- Notes:
1. Work this sheet with Sheets 64, 65, & 67 of 91.
 2. Hatched area to be poured after superstructure forms have been removed. Quantity of concrete included with Concrete Superstructure.
 3. For details of Junction Box and method of payment, see Electrical Drawings.
 4. For method of payment of conduit, see Electrical Drawings.
 5. Space reinforcement in cap to clear anchor bolts.
 6. Pour steps monolithically with cap.
 7. See Sheet 67 of 91 for Pile Encasement Detail.

ILLINOIS DEPARTMENT OF TRANSPORTATION
I-94 EAST BOUND / IL 394 SOUTH BOUND

NORTH ABUTMENT DETAILS

SB IL ROUTE 394 OVER THORN CREEK
F.A.P. 332 SECTION (02033.1 & 0312-708) R-3
COOK COUNTY
STA. 440+704.350 STRUCTURE NO. 016-2800
DATE JUL 18, 2005
SCALE ---

HNTB

J:\34962\CADD\BNSN_2800.cad\CTR_19_2800-ab\19026-4a_2800.dgn
 19-AUG-2005 12:45
 L.Kelley