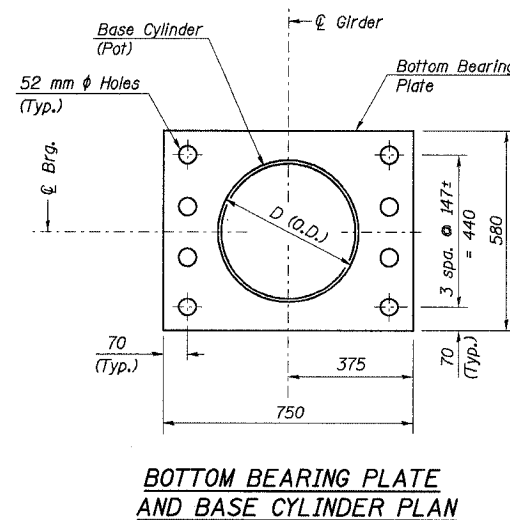
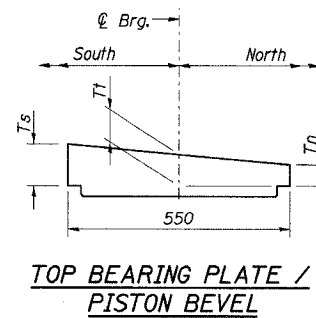
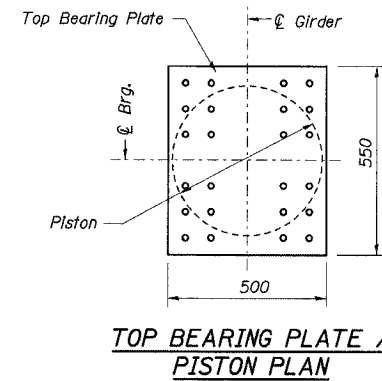
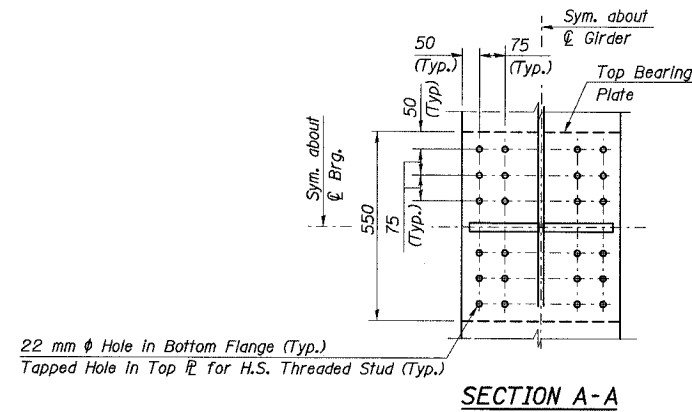
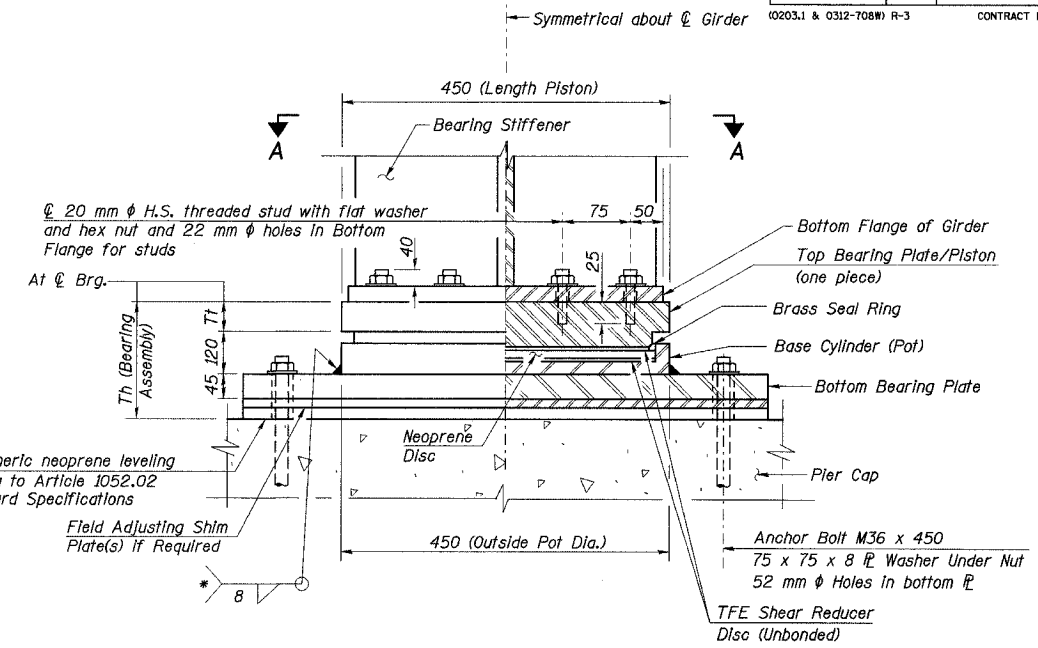


STATE OF ILLINOIS  
DEPARTMENT OF TRANSPORTATION

ROUTE NO.	SECTION	COUNTY	TOTAL SHEETS	SHEET NO.	SHEET NO. 58 91 SHEETS
F. A. I. 80/94	-	COOK	870	572	
FED. ROAD DIST. NO. 1		ILLINOIS FED. AID PROJECT-	CONTRACT NO. 62108		
02033.1 & 0312-708W R-3					



DESIGNED	TRL
CHECKED	JJK
DRAWN	LK
CHECKED	JJK



\* Weld may be omitted if base cylinder is recessed into bottom bearing plate

BEARING ASSEMBLY DIMENSIONS

Member	Dimension	Location - Pier 3											
		Girder 1	Girder 2	Girder 3	Girder 4	Girder 5	Girder 6	Girder 7	Girder 8	Girder 9	Girder 10	Girder 11	Girder 12
Top Plate	Tn	75	70	70	70	70	70	70	70	70	70	70	70
	Tt	73	70	70	70	70	70	70	70	73	73	73	73
	Ts	70	70	70	70	70	70	70	70	75	75	75	75
Bearing Assembly	Th	241	238	238	238	238	238	238	238	241	241	241	241

BEARING DESIGN INFORMATION

Design Information	Location
Vertical Design Load (kN)	Pier 3
Pay Item Size (kN)	2250
Longitudinal Lateral Load (kN)	735

Notes:  
Vertical Design Load = Total Vertical Dead Load + Live Load  
(No Impact)

- Notes:
- All dimensions are in millimeters (mm) except as shown.
  - The structural steel for the top bearing plate/piston and bottom bearing plate shall be AASHTO M 270M Grade 345.
  - Cost of top and bottom bearing plates, 3 mm elastomeric neoprene, and threaded studs with washer shall be included in Floating Bearings.
  - For anchor bolt type and details, see Sht. No. 60 of 91 sheets.

BILL OF MATERIAL

ITEM	UNIT	QUANTITY
Erecting Floating Bearings, Fixed, 2250 kN	Each	12

FLOATING FIXED BRG. LOCATIONS

Unit	Location	No. of Brgs. Req'd
1	Pier 3	12

ILLINOIS DEPARTMENT OF TRANSPORTATION  
I-94 EAST BOUND / IL 394 SOUTH BOUND  
FLOATING FIXED BEARINGS  
SB IL ROUTE 394 OVER THORN CREEK  
F.A.P. 332 SECTION (02033.1 & 0312-708W) R-3  
COOK COUNTY  
STA. 440+704.350 STRUCTURE NO. 016-2800  
DATE JUL 18, 2005  
SCALE

HNTB

J:\Beauchamp\EA\3452\CD\CD\161\SN\_2800\cds\CTR\_19\_2800\br-1908064a\_2800.dgn  
08-JUL-2005 13:46