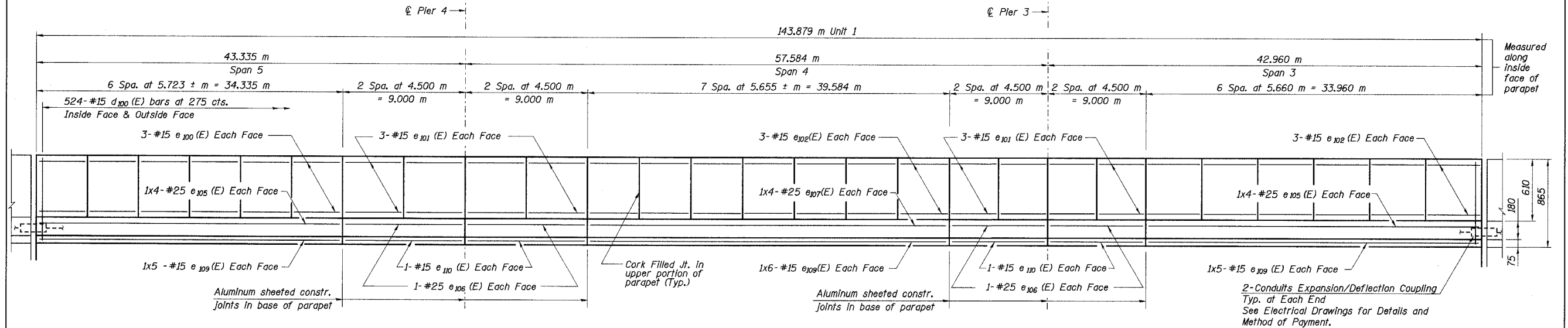
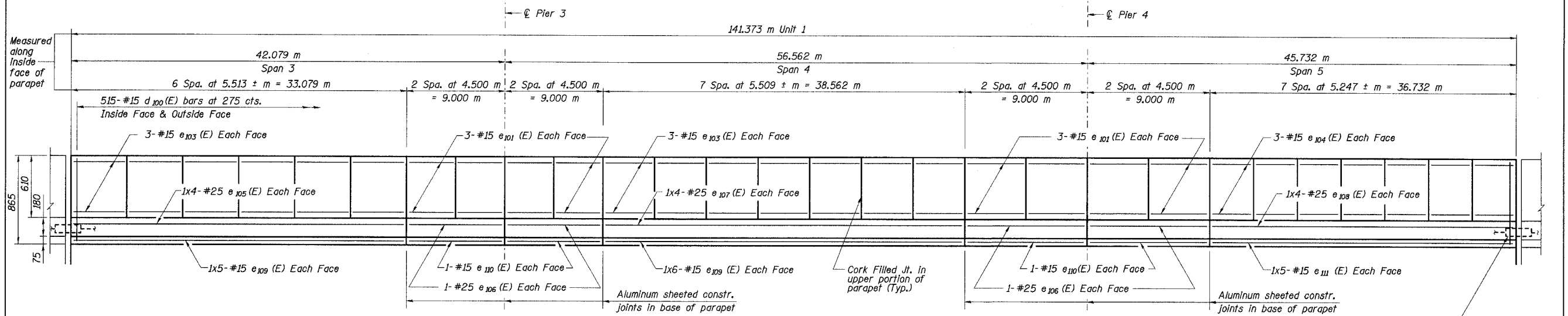


STATE OF ILLINOIS
DEPARTMENT OF TRANSPORTATION

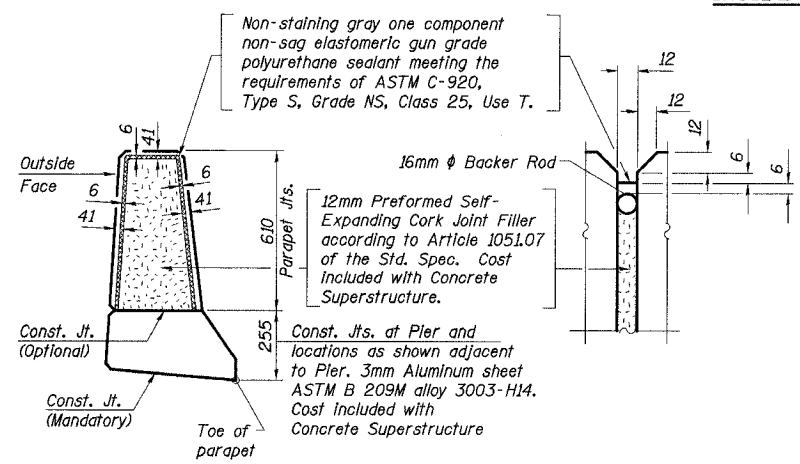
ROUTE NO.	SECTION	COUNTY	TOTAL SHEETS	SHEET NO.	SHEET NO. 21 91 SHEETS
F. A. I. 80/94	*	COOK	870	535	
FED. ROAD DIST. NO. 1	ILLINOIS	FED. AID PROJECT-			
(0203.1 & 0312-708W) R-3			CONTRACT NO. 62108		



INSIDE ELEVATION OF EAST PARAPET
(Looking East)



INSIDE ELEVATION OF WEST PARAPET
(Looking West)



PARAPET JOINT DETAIL

- Notes:
1. Work this sheet with Sheet Nos. 17-20, 22 and 30 of 91 Sheets.
 2. For details and method of payment of conduit, see Electrical Drawings.
 3. All horizontal dimension shown taken at toe of parapet.
 4. Reinforcement bars designated (E) shall be epoxy coated.
 5. Bars indicated thus 4x6-#15 etc. indicates 4 lines of bars with 6 lengths per line.
 6. All dimension are in millimeters (mm) except as noted.
 7. Place Parapet Joints radially at curved portion of bridge.
 8. Minimum lap splice length for parapet reinforcement :
15 - 640
20 - 790
25 - 1320

DESIGNED	JY
CHECKED	MAS
DRAWN	LK
CHECKED	MAS

ILLINOIS DEPARTMENT OF TRANSPORTATION
I-94 EAST BOUND / IL 394 SOUTH BOUND
PARAPET ELEVATION
SPANS 3-5 - UNIT 1
SB IL ROUTE 394 OVER THORN CREEK
F.A.P. 332 SECTION (0203.1 & 0312-708W) R-3
COOK COUNTY
STA. 440+704.350 STRUCTURE NO. 016-2800
DATE JUL 18, 2005
SCALE ---
HNTB

J:\Beauchamp
EA\34562\CADD\B\1\SN_2800\Code\CTR\19_2800\110154_2800.dgn
08-JUL-2005 13:47