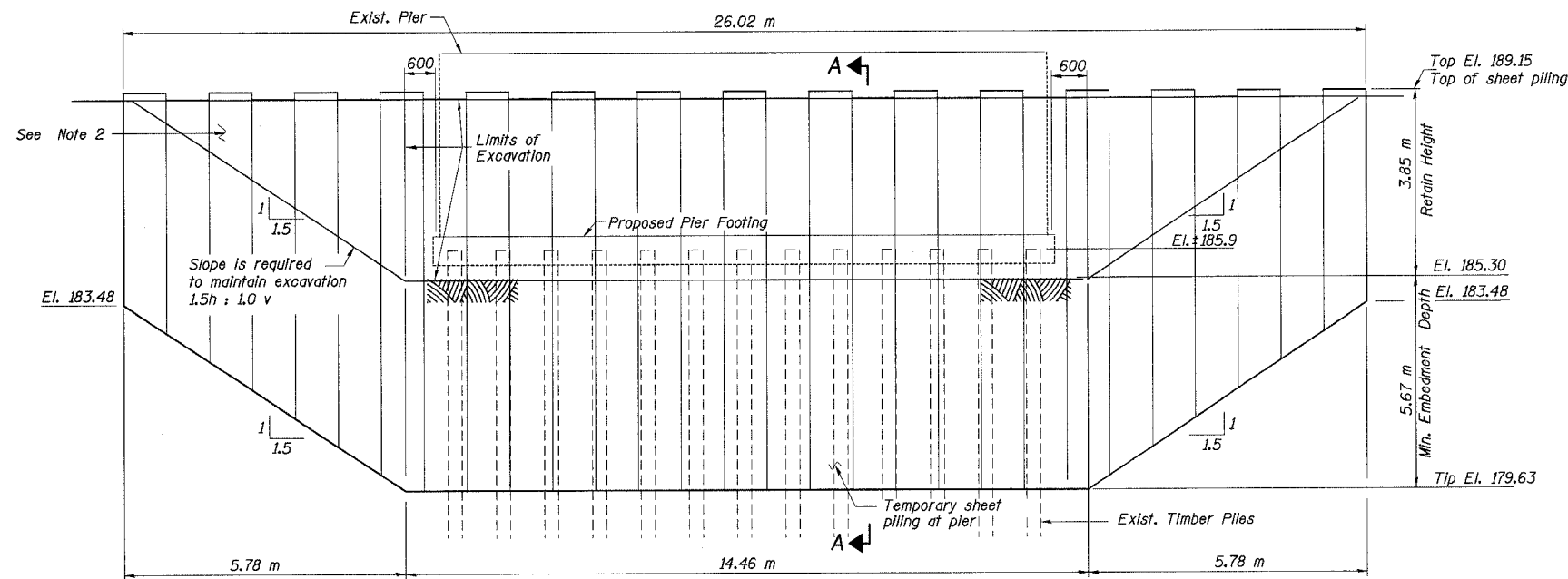


STATE OF ILLINOIS
DEPARTMENT OF TRANSPORTATION

ROUTE NO.	SECTION	COUNTY	TOTAL SHEETS	SHEET NO.	SHEET NO. 32
F.A.P. 80/94		COOK	870	505	37 SHEETS
FED. ROAD DIST. NO. 1		ILLINOIS FED. AID PROJECT-			
SECTION (0203.1 & 0312-708W) R-3		CONTRACT # 62108			

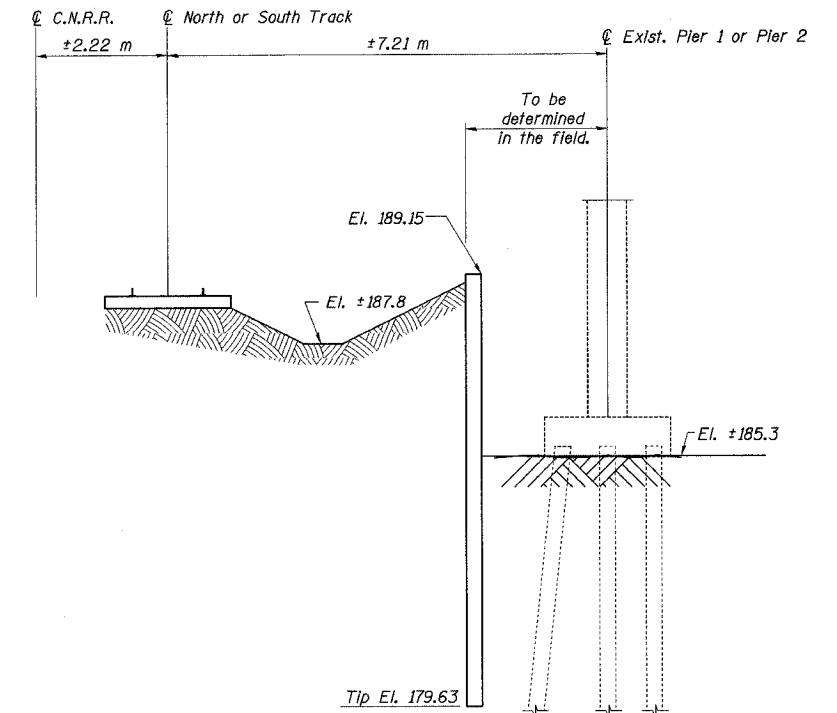


ELEVATION
(Looking South, Pier 1)
(Looking North, Pier 2)
Min. Section Modulus Required = $2040 \text{ mm}^3 \times 10^{-3}/\text{m}$

NOTES:

- The sheet piling shall be entirely removed. The cutting of sheet piling 300 mm below grade will not be permitted.
- If the contractor chooses to alter the temporary cantilevered sheet piling design requirements shown on the plans for lesser design requirements, then full design submittals with the required seals will be expected by the Department, for review & approval.
- All dimensions are in millimeters (mm) unless noted.
- Contractor is to coordinate operations with Canadian National Railroad during sheet pile installation.
- Backfill to be included for payment with Removal of Existing Structures No. 2. Backfill material and placing and compacting requirements shall meet the requirements of Article 502.10 of the Standard Specifications.

DESIGNED	M.R./ H.T.
CHECKED	H.T.
DRAWN	J.B./ J.S.
CHECKED	H.T./ M.R.



SECTION A-A

**BILL OF MATERIAL
FOR PIER 1 & PIER 2**

Item	Unit	Quantity
Temporary Sheet Piling	Sq.m	451

ILLINOIS DEPARTMENT OF TRANSPORTATION
I-94/IL 394 SOUTH BOUND
TEMPORARY SHEET PILING AT
PIER 1 & PIER 2
SB IL. ROUTE 394 OVER CANADIAN NATIONAL RR
F.A.P. 332 SECTION (0203.1 & 0312-708W) R-3
COOK COUNTY
STA. 39+752.246 S.N. 016-2798 (INSIDE LANES)
DATE: July 18, 2005
SCALE: NONE

Soodan & Associates, Inc.
100 North LaSalle Street, Suite 1800
Chicago, Illinois 60602