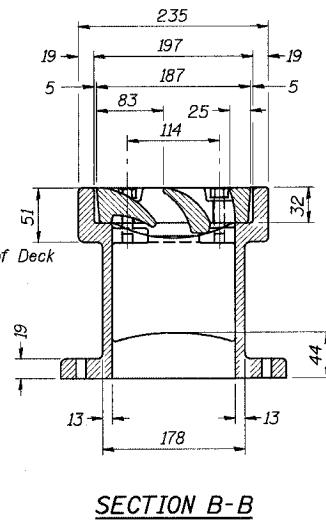
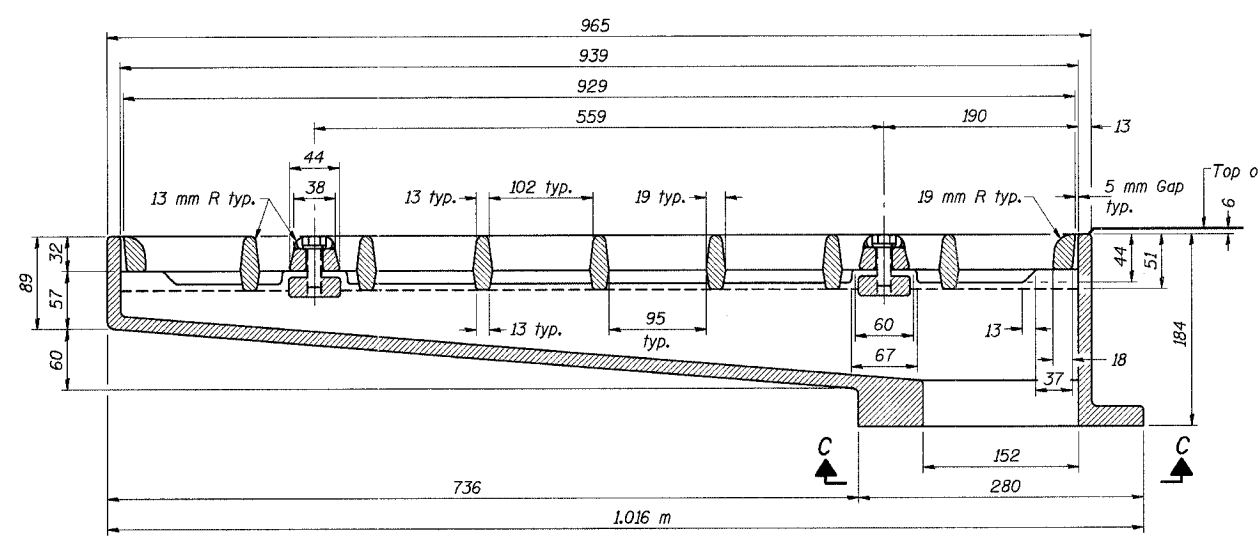
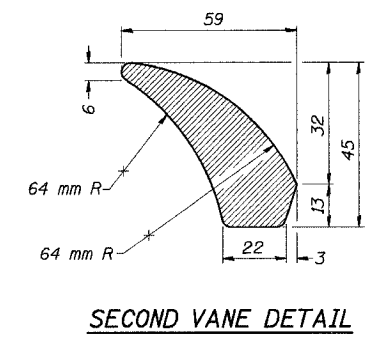
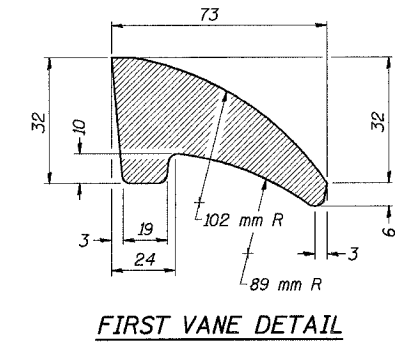
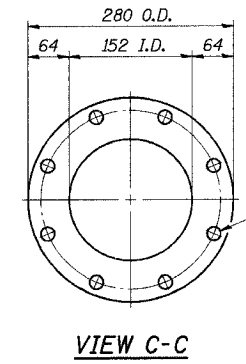
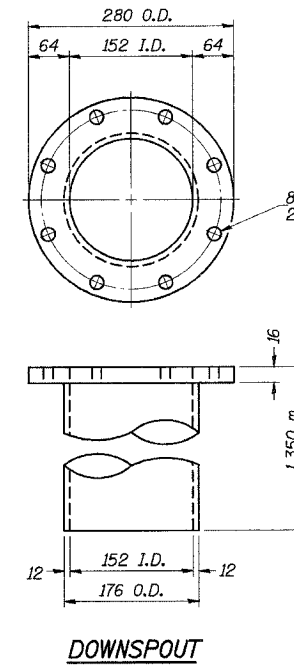
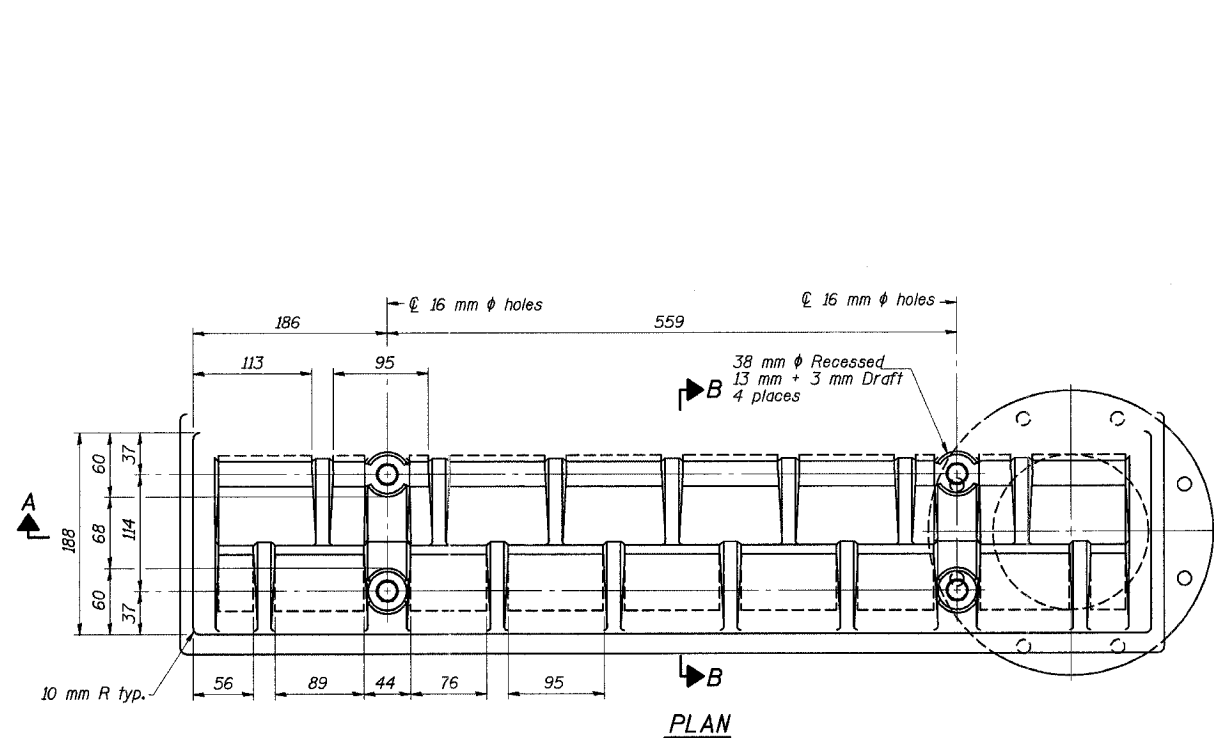


STATE OF ILLINOIS
DEPARTMENT OF TRANSPORTATION

ROUTE NO.	SECTION	COUNTY	TOTAL SHEETS	SHEET NO.	SHEET NO. 17 37 SHEETS
F.A.I. 80/94		COOK	870	490	
FED. ROAD DIST. NO. 1	ILLINOIS	FED. AID PROJECT-	SECTION (0203.1 & 0312-708W) R-3 CONTRACT # 62108		

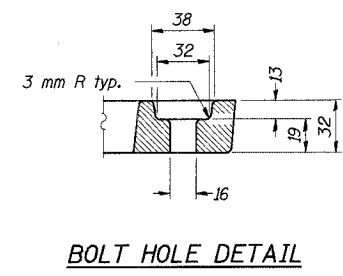


Notes: All cast iron parts shall be gray iron conforming to the requirements of AASHTO M 105, Class 35B. Bolts, anchor studs, washers and nuts shall conform to the requirements of ASTM A 307 and shall be galvanized according to AASHTO M 232M. The grate, frame and downspout shall be galvanized according to AASHTO M 111 and ASTM A 385. Downspouts located on the exterior side of a painted steel fascia beam shall be painted with the finish coat specified for the exterior side of the fascia beam. As an alternate, bolts, anchor studs, washers and nuts may be stainless steel according to Article 1006.29(d) of the Standard Specifications. Structural steel weldments of equal sections and of the same configuration may be substituted for cast iron. Fillet or full penetration welds shall be used for the weldments. Details shall be submitted to the Engineer for approval. The Contractor shall take appropriate measures to assure that Protective Coat is not applied to the scupper. Cost of the Grate, Frame, Downspout, Anchor Studs, Bolts, Washers and Nuts including complete installation of the scupper shall be paid for at the contract unit price each for Drainage Scupper, DS-33. All dimensions are in millimeters (mm) except as noted.

BILL OF MATERIAL

ITEM	UNIT	QUANTITY
Drainage Scupper, DS-33	Each	1

(See sheet 9 of 37 for scupper location relative to parapet.)



DESIGNED	M.R./ H.T.
CHECKED	H.T.
DRAWN	J.B./ J.S.
CHECKED	H.T./ M.R.

DRAINAGE SCUPPER, DS-33

ILLINOIS DEPARTMENT OF TRANSPORTATION
I-94/IL 394 SOUTH BOUND
DRAINAGE SCUPPER
SB IL. ROUTE 394 OVER CANADIAN NATIONAL RR
F.A.P. 332 SECTION (0203.1 & 0312-708W) R-3
COOK COUNTY
STA. 39+752.246 S.N. 016-2798 (INSIDE LANES)
DATE: July 18, 2005
SCALE: NONE

Soodan & Associates, Inc.
100 North LaSalle Street, Suite 1800
Chicago, Illinois 60602