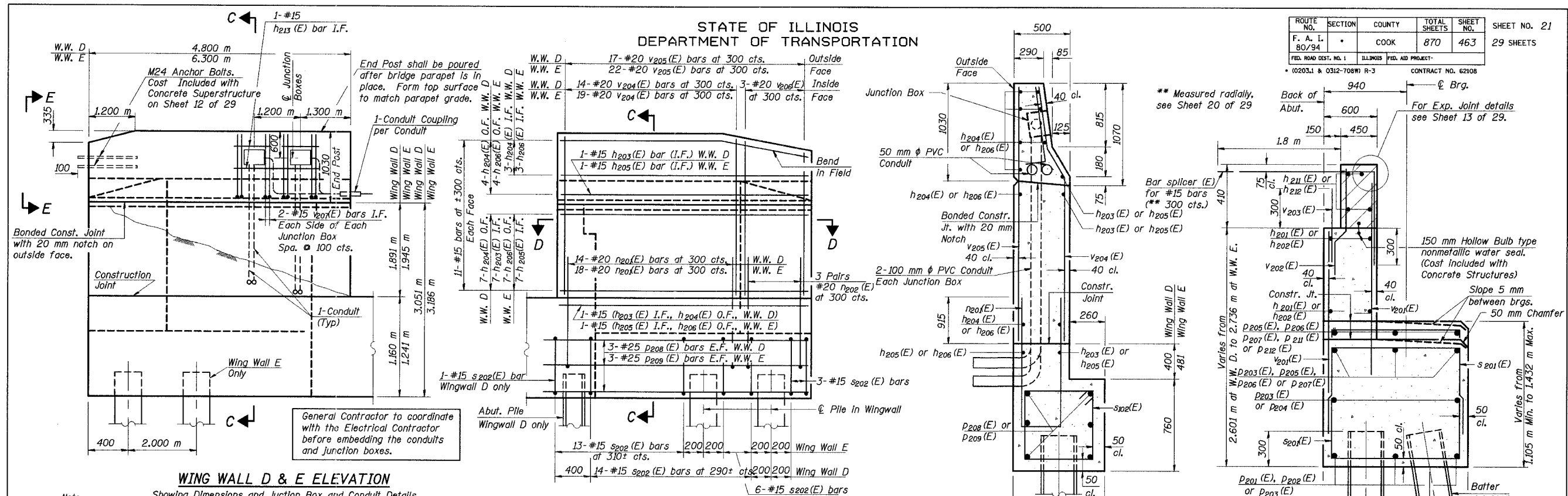
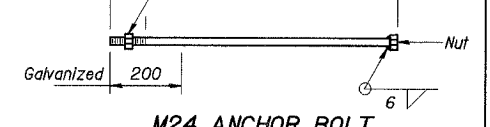
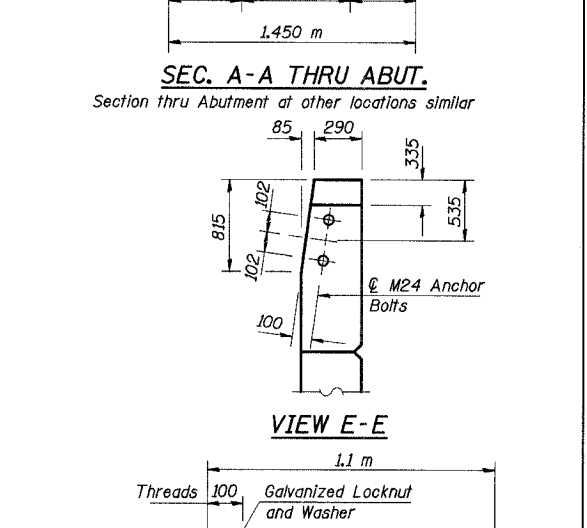
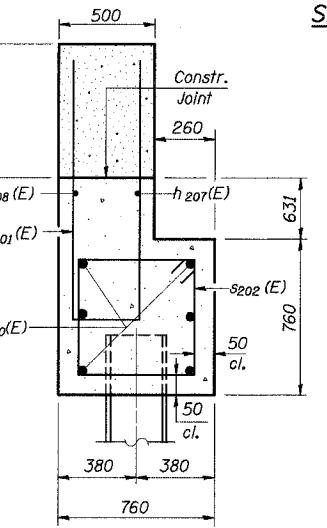
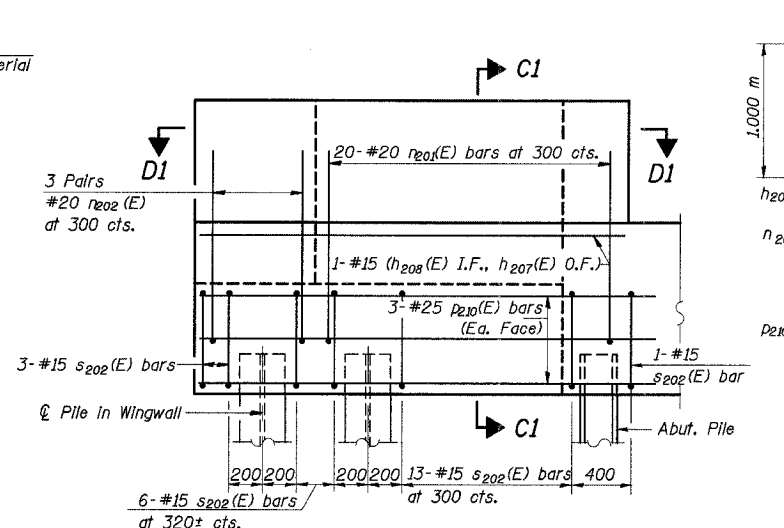
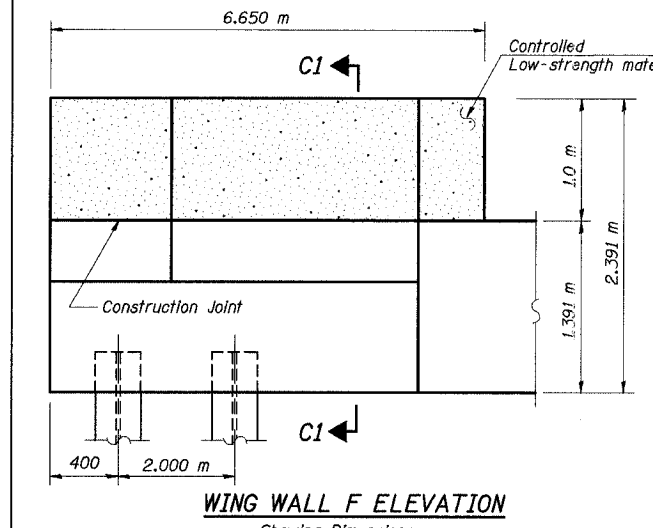


STATE OF ILLINOIS
DEPARTMENT OF TRANSPORTATION

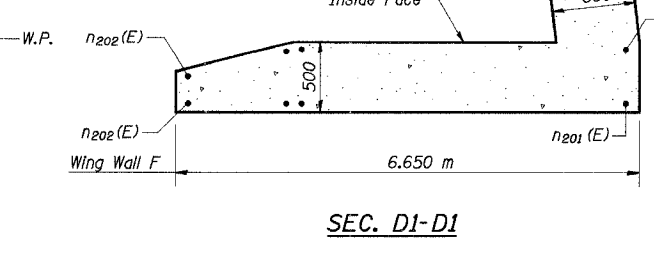
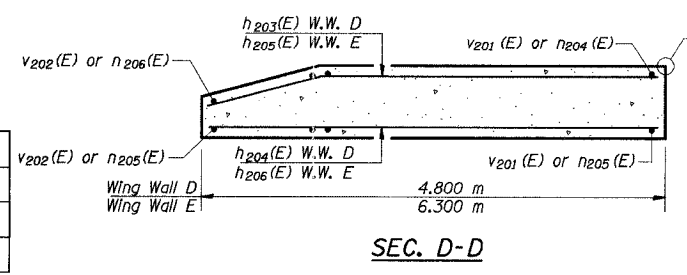
ROUTE NO.	SECTION	COUNTY	TOTAL SHEETS	SHEET NO.	SHEET NO. 21
F. A. I. 80/94		COOK	870	463	29 SHEETS
FED. ROAD DIST. NO. 1 ILLINOIS FED. AID PROJECT-			CONTRACT NO. 62108		



WING WALL D & E ELEVATION
Showing Reinforcement (Junction Box Reinforcement shown in other Elevation View)



DESIGNED	JFA
CHECKED	JJK
DRAWN	LK
CHECKED	JJK/JFA



- Notes:
1. Work this sheet with Sheet 20 & 24 of 29.
 2. Hatched area to be poured after superstructure forms have been removed. Quantity of concrete Included with Concrete Superstructure.
 3. For details of Junction Box and method of payment, see Electrical Drawings.
 4. For method of payment of conduit, see Electrical Drawings.
 5. Space reinforcement in cap to clear anchor bolts.
 6. Pour steps monolithically with cap.
 7. See Sheet 24 of 29 for Pile Encasement Detail.

M24 ANCHOR BOLT

ILLINOIS DEPARTMENT OF TRANSPORTATION
I-94 EAST BOUND / IL 394 SOUTH BOUND
SOUTH ABUTMENT DETAILS
SB ILLINOIS ROUTE 394 OVER INTERSTATE 80
F.A.P. 332 SECTION (0203.1 & 0312-708W) R-3
COOK COUNTY
STA. 440+193.335 STRUCTURE NO. 016-2796
DATE 07/18/05
SCALE ---

HNTB