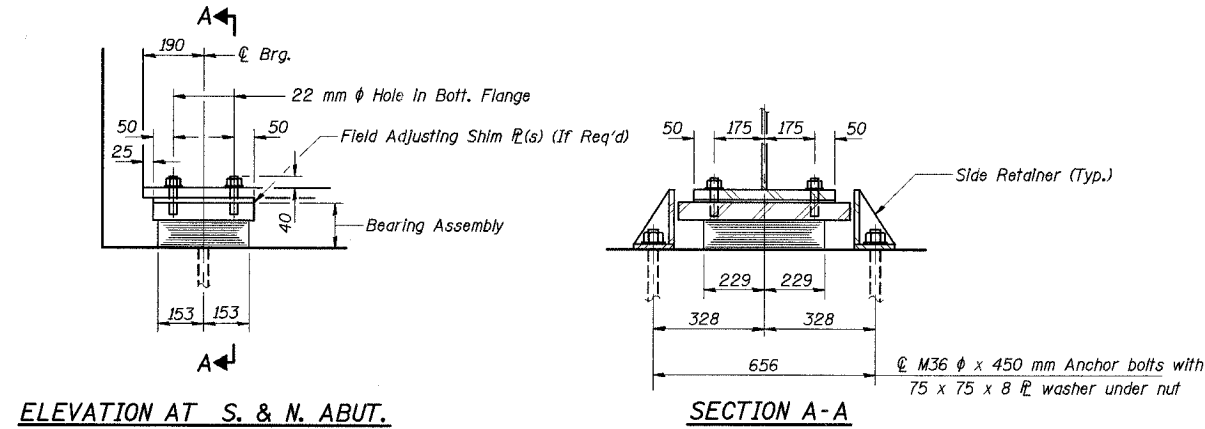


STATE OF ILLINOIS
DEPARTMENT OF TRANSPORTATION

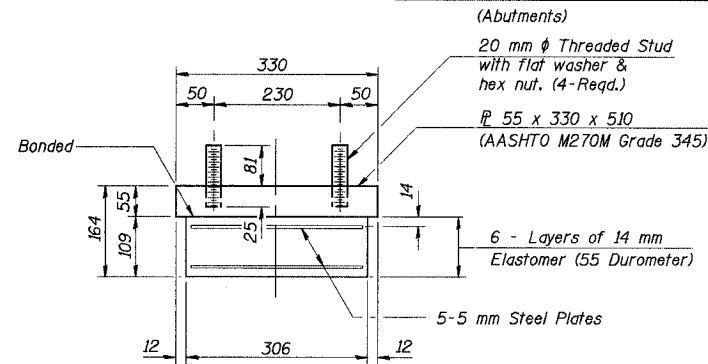
ROUTE NO.	SECTION	COUNTY	TOTAL SHEETS	SHEET NO.	SHEET NO. 18 29 SHEETS
F. A. I. 80/94		COOK	870	460	
FED. ROAD DIST. NO. 1		ILLINOIS FED. AID PROJECT-			
0203.1 & 0312-708W R-3		CONTRACT NO. 62108			



ELEVATION AT S. & N. ABUT.

SECTION A-A

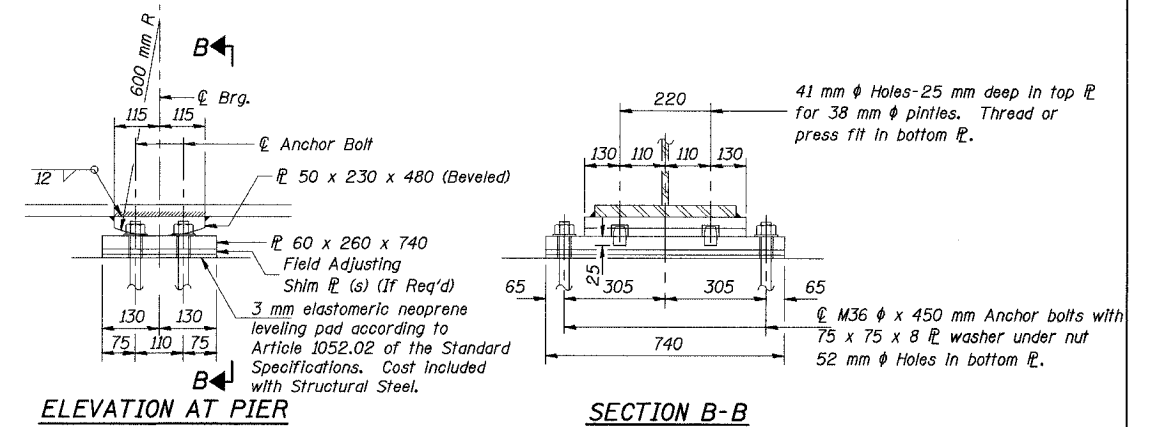
TYPE I ELASTOMERIC EXP. BRG.



BEARING ASSEMBLY

Note: Shim plates shall not be placed under Bearing Assembly.

Notes: Anchor bolts at fixed bearings may be built into the masonry. See sheet No. 19 of 29 sheets for Anchor Bolt Installation. All dimensions are in millimeters (mm) except as noted.

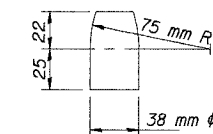


ELEVATION AT PIER

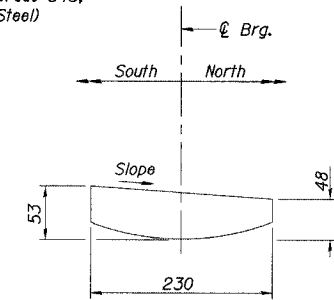
SECTION B-B

FIXED BEARING

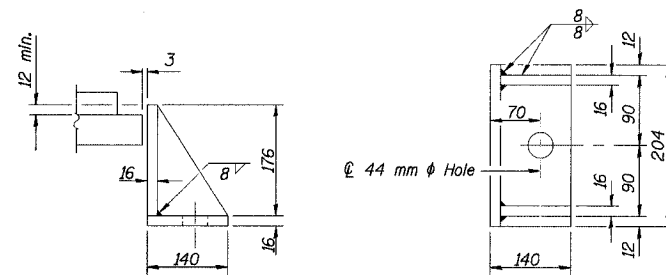
(Structural Steel AASHTO M 270M Grade 345, Cost included with Structural Steel)



PINTLE

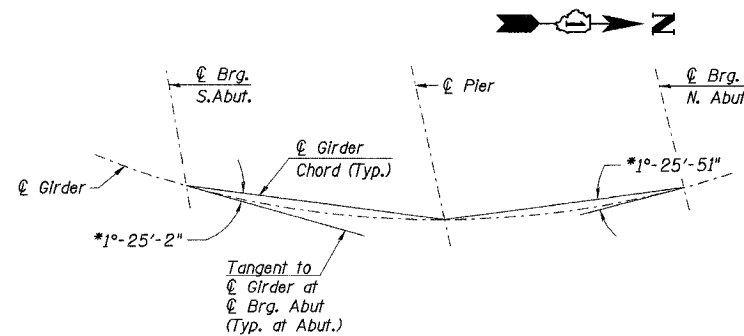


TOP FIXED BEARING PLATE BEVEL
(Looking West)



SIDE RETAINER

Equivalent rolled angle with stiffeners will be allowed in lieu of welded plates. Weight Included with Structural Steel.



EXPANSION BEARING ORIENTATION

* Measured from G Irder Chord to Tangent to G Irder at Bearing Abutment

BILL OF MATERIAL

Item	Unit	Quantity
Erecting Elastomeric Bearing Assembly, Type 1	Each	12

DESIGNED	MEA
CHECKED	JJK
DRAWN	LK
CHECKED	JJK

J:\Research\EA\34562\CADD\5\SN_2796\CDS\CTR\19_2796\19_2796.dgn
08-JUL-2005 13:56

ILLINOIS DEPARTMENT OF TRANSPORTATION
I-94 EAST BOUND / IL 394 SOUTH BOUND
BEARING DETAILS
SB ILLINOIS ROUTE 394 OVER INTERSTATE 80
F.A.P. 332 SECTION (0203.1 & 0312-708W) R-3
COOK COUNTY
STA. 440+193.335 STRUCTURE NO. 016-2796
DATE 07/18/05
SCALE ---
HNTB