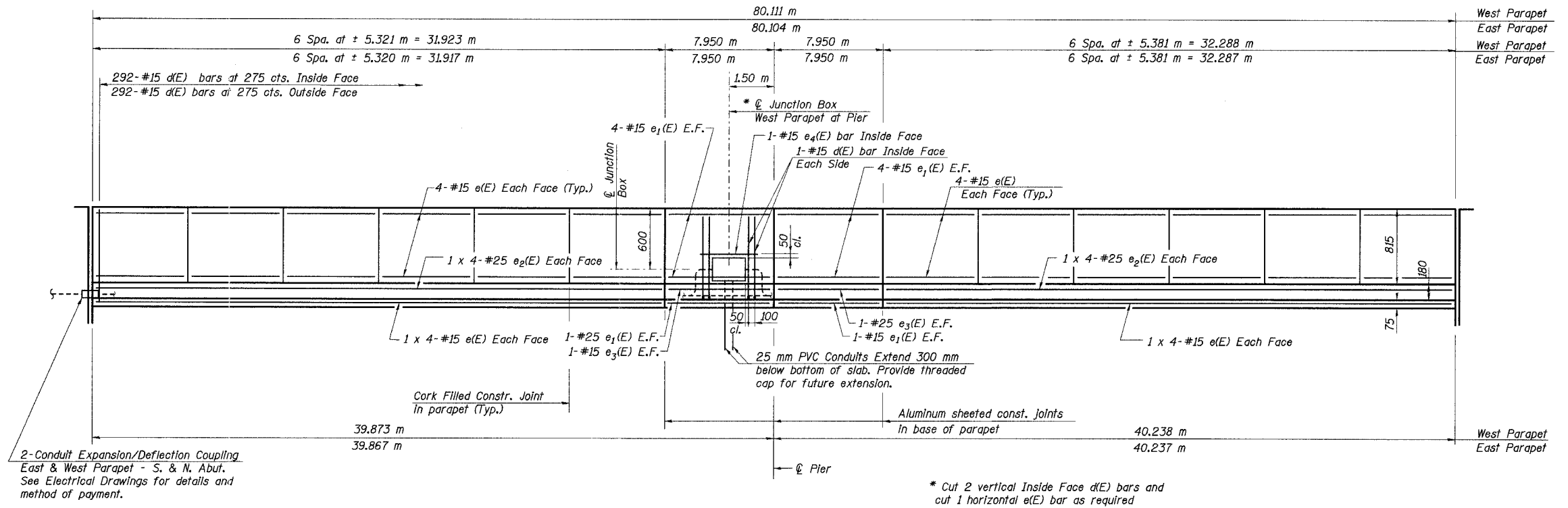


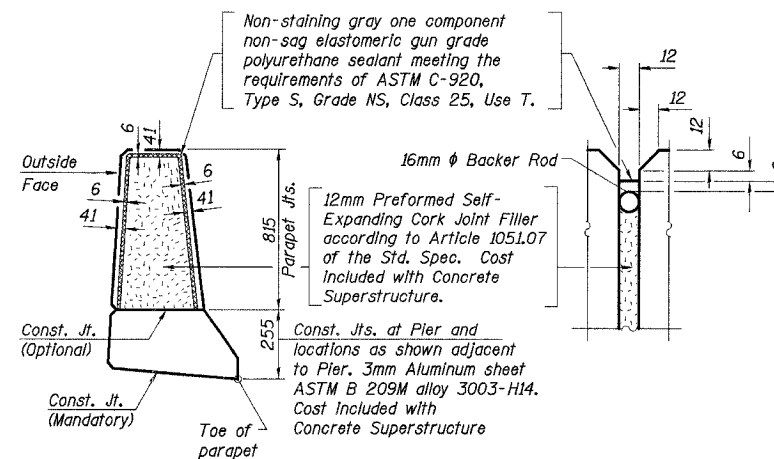
STATE OF ILLINOIS
DEPARTMENT OF TRANSPORTATION

ROUTE NO.	SECTION	COUNTY	TOTAL SHEETS	SHEET NO.	SHEET NO. 11
F. A. I. 80/94	*	COOK	870	453	29 SHEETS
FED. ROAD DIST. NO. 1		ILLINOIS	FED. AID PROJECT-		
* (0203.1 & 0312-708W) R-3			CONTRACT NO. 62108		



INSIDE ELEVATION OF PARAPET

(Looking West)
(West Parapet Shown- East Parapet Similar)
(All horizontal dimensions are measured along the inside face of parapet.)



PARAPET JOINT DETAIL

Notes:

1. Work this sheet with Sheet Numbers 9, 10, and 12 of 29 Sheets.
2. Min. bar lap for #25 e (E) bars shall be 1,320 m.
3. For details of conduits and method of payment for conduit, see Electrical Drawings.
4. All dimensions are in millimeters (mm) except as noted

DESIGNED	MEA
CHECKED	PY
DRAWN	LK
CHECKED	PY

ILLINOIS DEPARTMENT OF TRANSPORTATION
I-94 EAST BOUND / IL 394 SOUTH BOUND
PARAPET ELEVATION
SB ILLINOIS ROUTE 394 OVER INTERSTATE 80
F.A.P. 332 SECTION (0203.1 & 0312-708W) R-3
COOK COUNTY
STA. 440+193.335 STRUCTURE NO. 016-2796
DATE 07/18/05
SCALE ---

HNTB

J:\Branches\EA\34562\CADD\B\SN_2796\CDS\CTR\19_2796\ad1908034a_2796.dgn
08-JUL-2005 13:55