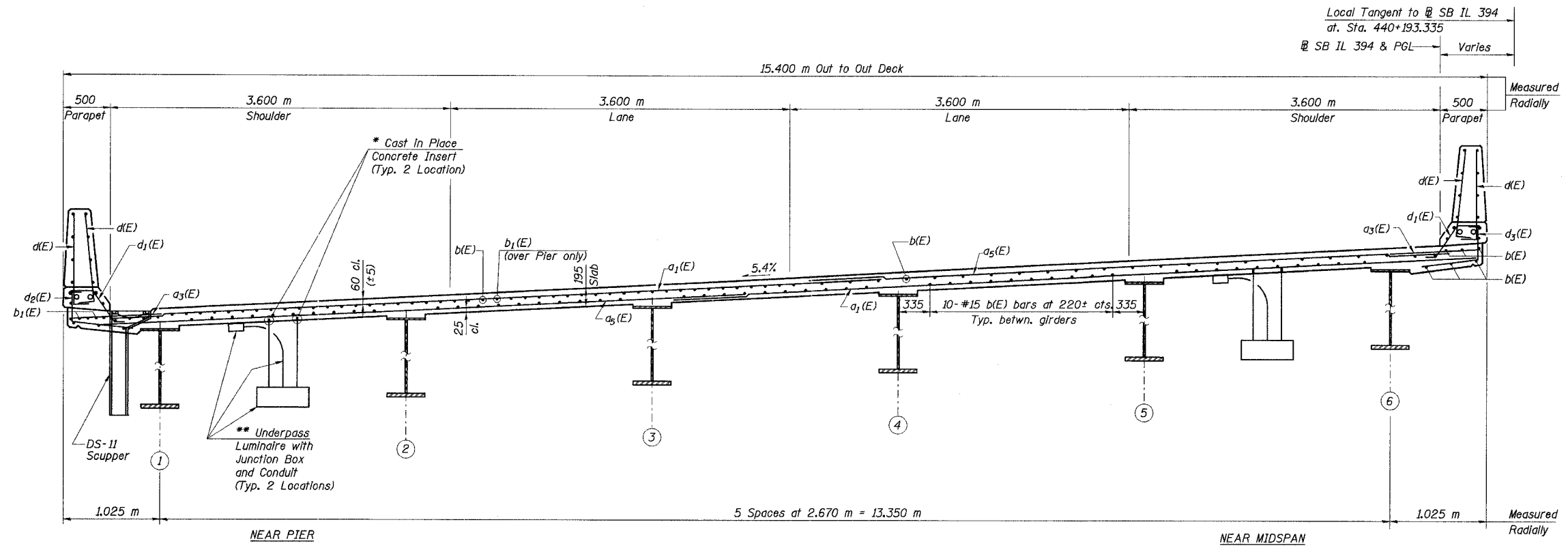


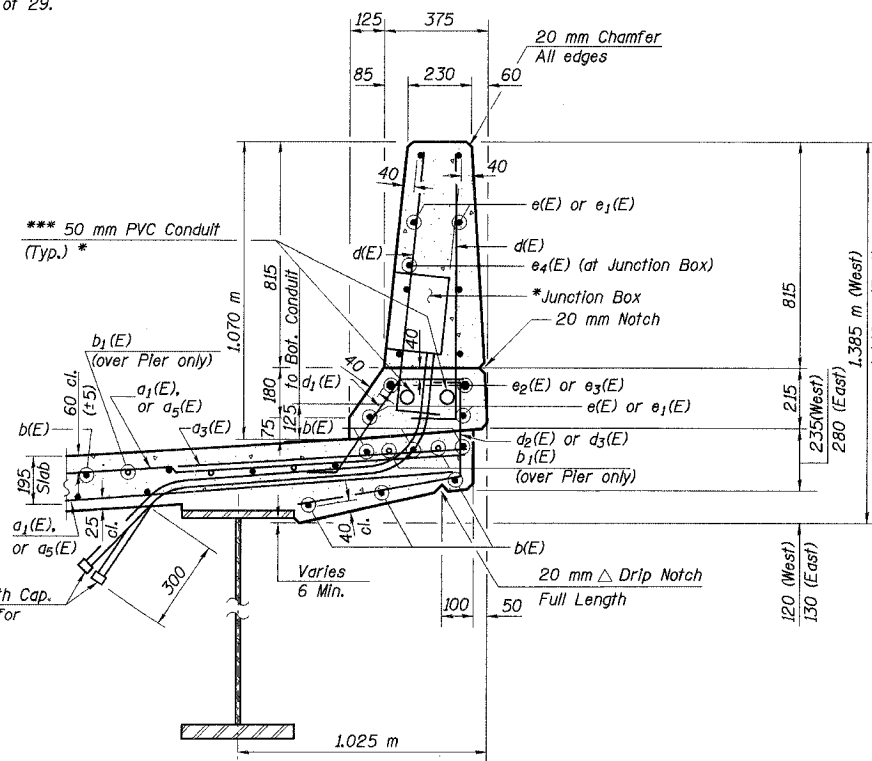
STATE OF ILLINOIS
DEPARTMENT OF TRANSPORTATION

ROUTE NO.	SECTION	COUNTY	TOTAL SHEETS	SHEET NO.	SHEET NO. 10 29 SHEETS
F. A. I. 80/94	.	COOK	870	452	
FED. ROAD DIST. NO. 1		ILLINOIS	FED. AID PROJECT-		
		* (0203.1 & 0312-708W) R-3		CONTRACT NO. 62108	



CROSS SECTION
(Looking Up Station)

- *See Electrical Drawings for location and type, Junction Box location shown on Sht. 11 of 29. Paid under Electrical Contract but installed by Bridge Contractor. Installation included for payment under Concrete Superstructure. Bridge Contractor to coordinate with Electrical Contractor.
- **Elements paid and installed under Electrical Contract.
- ***Provide 25 mm min. clear between conduits and d(E) bar and conduit



- Notes:
1. Work this sheet with Sheet Numbers 9, 11, and 12 of 29 Sheets.
 2. Reinforcement bars designated (E) shall be epoxy coated.
 3. All dimensions are in millimeters except as noted.

DESIGNED	MEA
CHECKED	PY
DRAWN	LK
CHECKED	MAS

J:\Branch\p...
 E:\34562\CADD\51\SN_2796\CDS\CTR_19_2796\190024s_2796.dgn
 08-JUL-2005 13:55

ILLINOIS DEPARTMENT OF TRANSPORTATION
I-94 EAST BOUND / IL 394 SOUTH BOUND

DECK & PARAPET SECTIONS

SB ILLINOIS ROUTE 394 OVER INTERSTATE 80
F.A.P. 332 SECTION (0203.1 & 0312-708W) R-3
COOK COUNTY
STA. 440+193.335 STRUCTURE NO. 016-2796
DATE 07/18/05
SCALE ---

HNTB