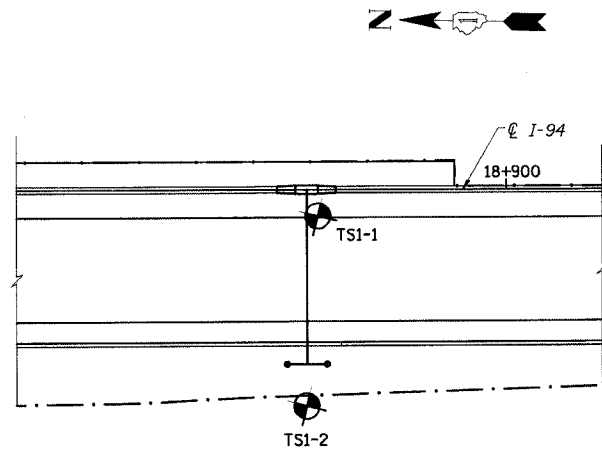
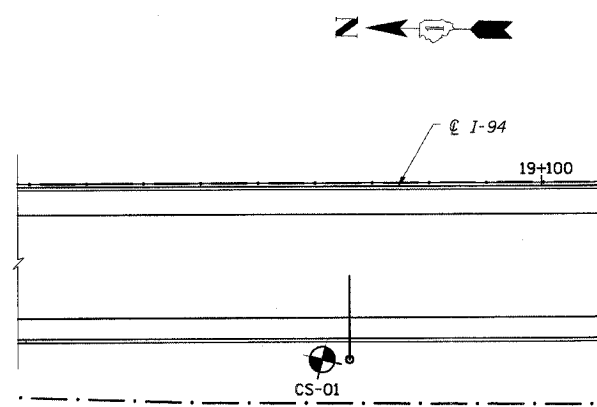


STATE OF ILLINOIS
DEPARTMENT OF TRANSPORTATION

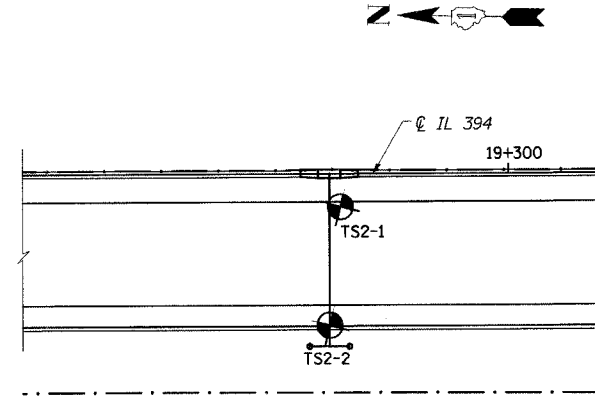
ROUTE NO.	SECTION	COUNTY	TOTAL SHEETS	SHEET NO.
F. A. I. 80/94		COOK	870	348
FED. ROAD DIST. NO. 1		ILLINOIS FED. AID PROJECT-		
• (0203.1 & 0312-708) R3		CONTRACT NO. 62108		



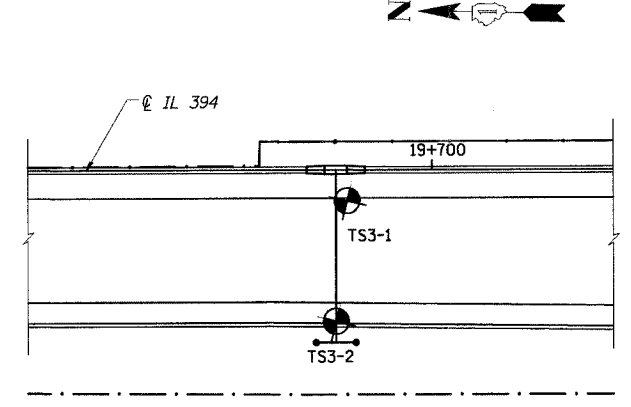
PLAN



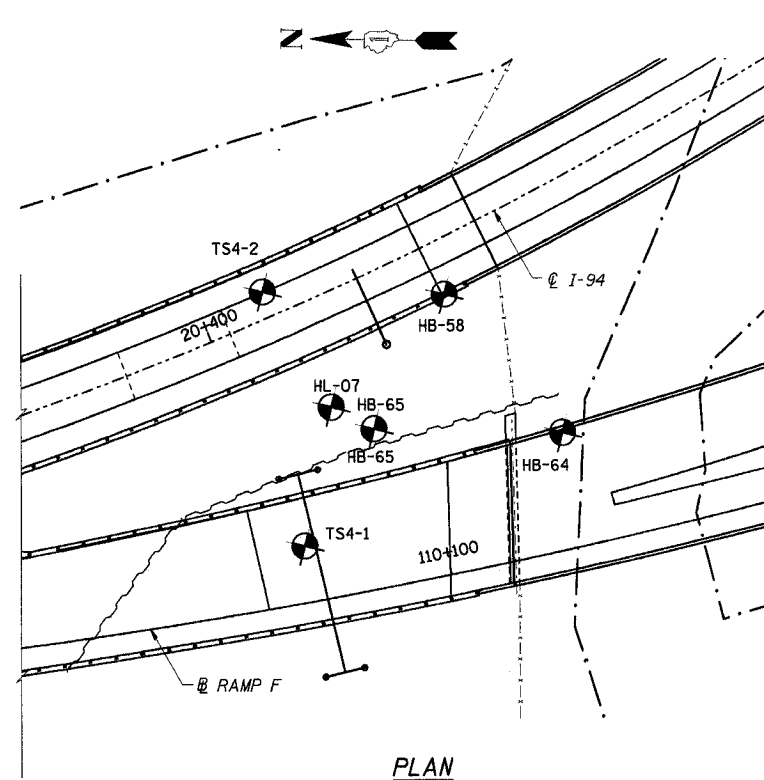
PLAN



PLAN



PLAN



PLAN

DESIGNED	PY
CHECKED	DD
DRAWN	LK
CHECKED	DD

J:\Beauchamp
EN\34562\CADD\1\Signs\Contr-ec\19\cads\gpl\80814e.dgn
08-JUL-2005 15:33

ILLINOIS DEPARTMENT OF TRANSPORTATION
I-80/94/US 6 (KINGERY EXPRESSWAY)
PROPOSED SIGN STRUCTURES
BORING LOCATIONS
I-94 & IL 394

DATE: JUL 18, 2005
SCALE 1:500

HNTB