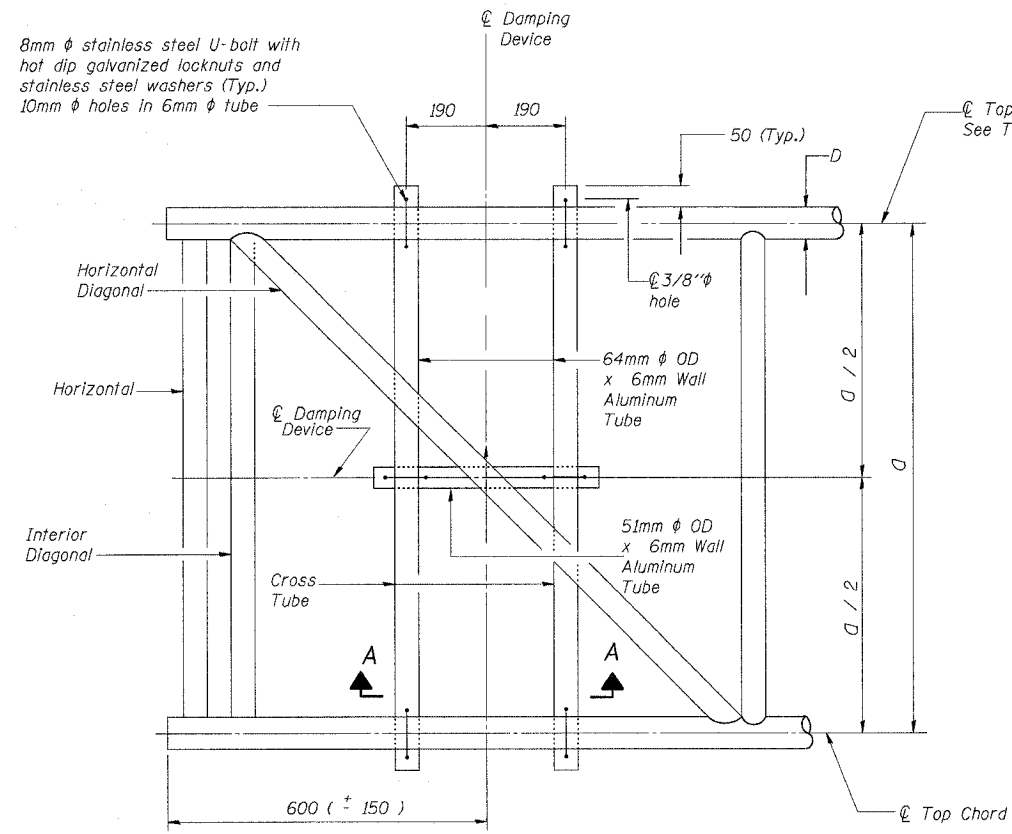
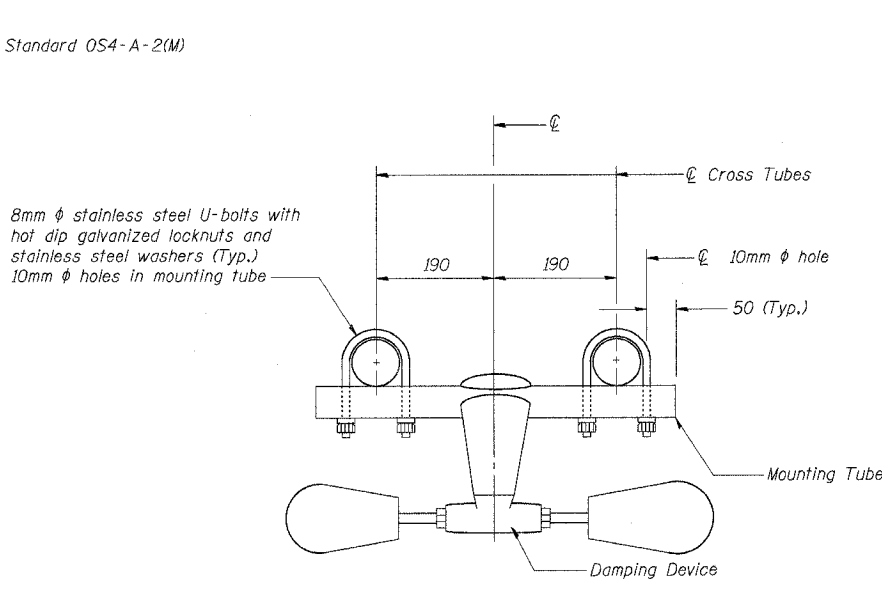


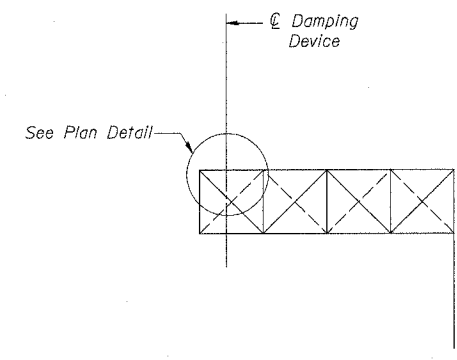
F.A.I. RTE.	SECTION	COUNTY	TOTAL SHEETS	SHEET NO.
80/94		COOK	870	337
STA.		TO STA.		
FED. ROAD DIST. NO. 1		ILLINOIS FED. AID PROJECT		
(0203.1 & 0312-708W) R-3		CONTRACT # 62108		



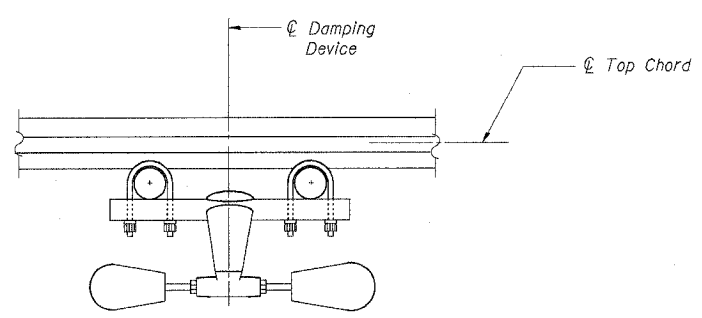
PLAN DETAIL



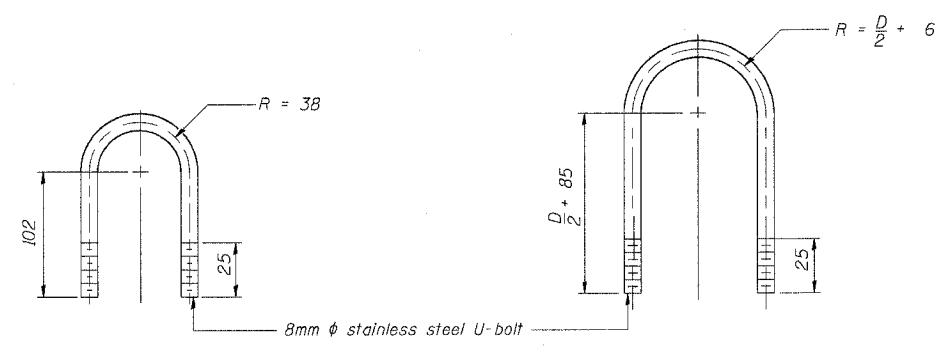
TRUSS DAMPING DEVICE CONNECTION DETAIL



ELEVATION
Aluminum Cantilever Sign Structure



SECTION A-A



DAMPING DEVICE MOUNTING TUBE U-BOLT DETAIL
(Typical)

TOP CHORD TO CROSS TUBE U-BOLT DETAIL
(Typical)

GENERAL NOTES

- Damper: One damper per truss. (14 Kg Stockbridge-Type Aluminum)
- Materials: Aluminum tubes shall be ASTM B221(M) alloy 6061 temper T6
- All dimensions are in millimeters (mm) except as noted.

CSS-3

CANTILEVER SIGN STRUCTURE DAMPING DEVICE

REVISIONS		ILLINOIS DEPARTMENT OF TRANSPORTATION F.A.I. ROUTE 80/94 (INTERSTATE 80/294) OVERHEAD SIGN STRUCTURES I-94 WB & I-94 EB COOK COUNTY SECTION (0203.1 & 0312.708W) R-3
NAME	DATE	

DESIGNED BY _____ DRAWN BY _____
DATE: March 1, 2005 CHECKED BY _____ CHECKED BY _____

McDonough Associates Inc.
Engineers / Architects