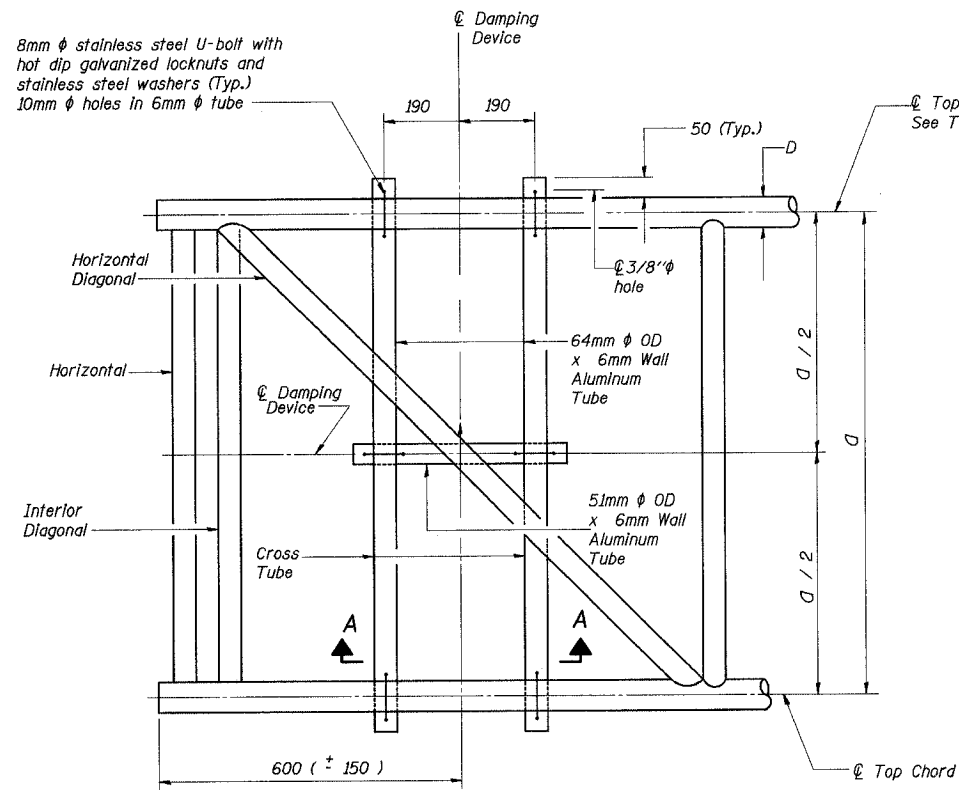
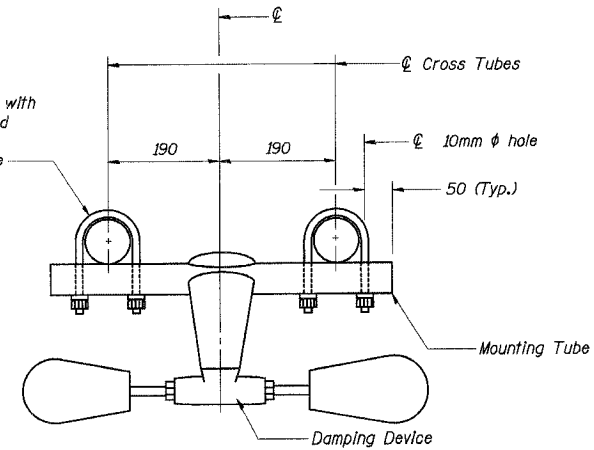


STATE OF ILLINOIS
DEPARTMENT OF TRANSPORTATION

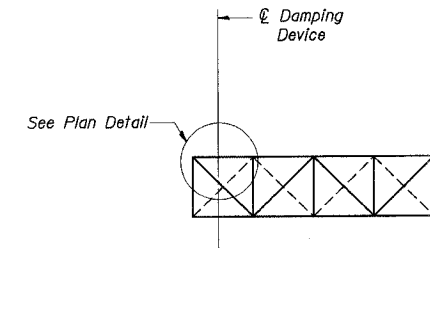
ROUTE NO.	SECTION	COUNTY	TOTAL SHEETS	SHEET NO.
F. A. I. 80/94	*	COOK	870	328
FED. ROAD DIST. NO. 1		ILLINOIS	FED. AID PROJECT-	
* 10203.1 & 0312-708W R3		CONTRACT NO. 62108		



PLAN DETAIL



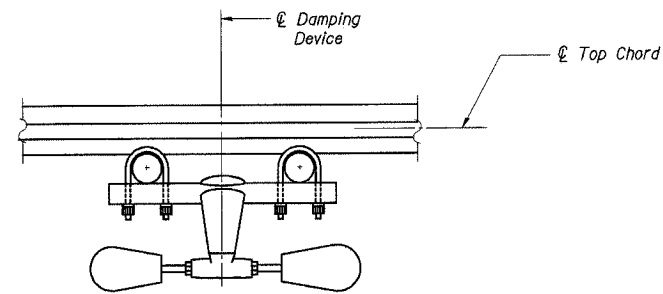
TRUSS DAMPING
DEVICE CONNECTION DETAIL



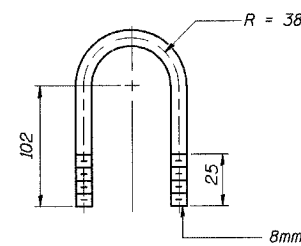
ELEVATION
Aluminum Cantilever
Sign Structure

GENERAL NOTES

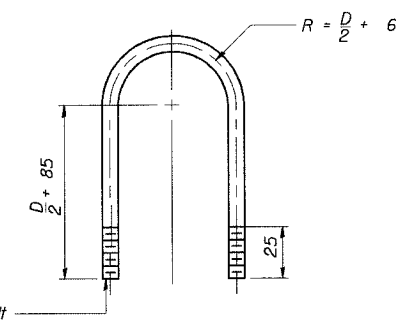
- Damper: One damper per truss. (14 Kg Stockbridge-Type Aluminum)
- Materials: Aluminum tubes shall be ASTM B221M alloy 6061 temper T6
- All dimensions are in millimeters (mm) except as noted.



SECTION A-A



DAMPING DEVICE MOUNTING
TUBE U-BOLT DETAIL
(Typical)



TOP CHORD TO CROSS TUBE
U-BOLT DETAIL
(Typical)

DESIGNED	PY
CHECKED	DD
DRAWN	LK
CHECKED	DD

OSC-A-D(M) 11/1/2002

ILLINOIS DEPARTMENT OF TRANSPORTATION
I-80/94/US 6 (KINGERY EXPRESSWAY)

CANTILEVER SIGN STRUCTURE
DAMPING DEVICE

DATE: JUL 18, 2005
SCALE ---

HNTB