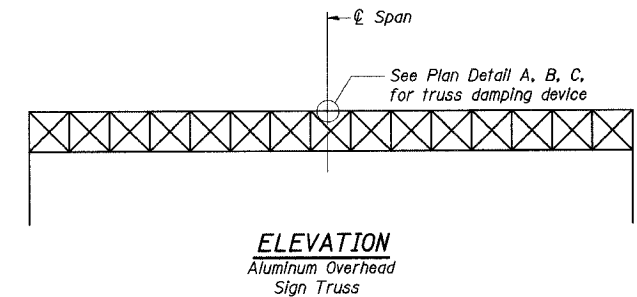
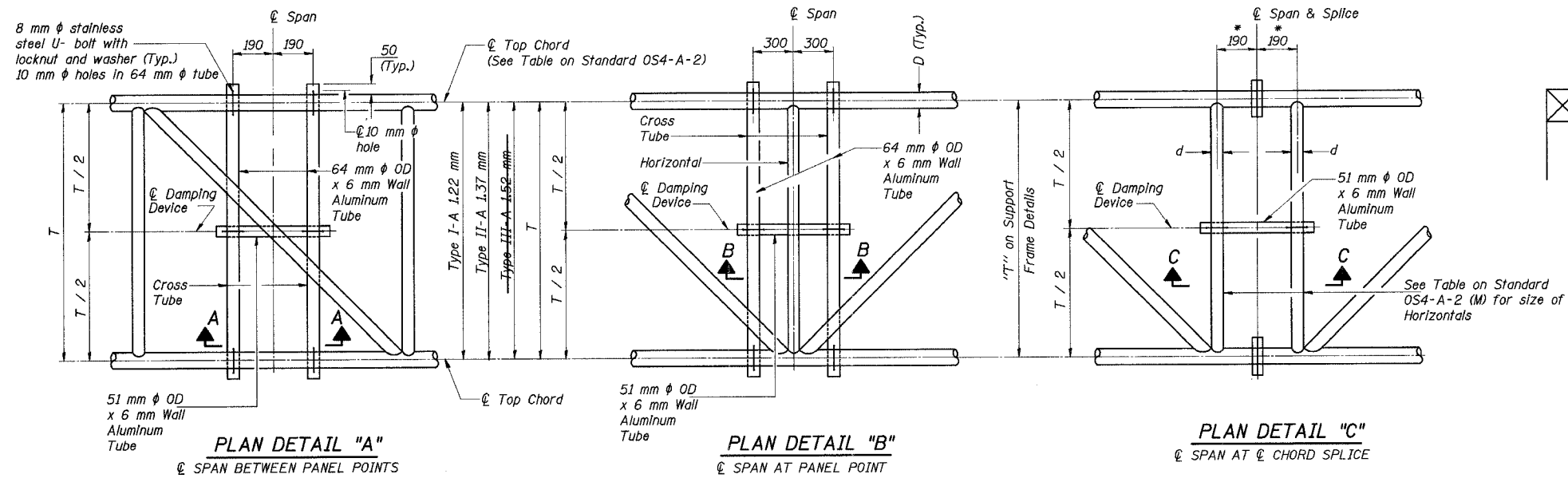


STATE OF ILLINOIS
DEPARTMENT OF TRANSPORTATION

ROUTE NO.	SECTION	COUNTY	TOTAL SHEETS	SHEET NO.
F. A. I. 80/94	.	COOK	870	318
FED. ROAD DIST. NO. 1		ILLINOIS	FED. AID PROJECT-	
• (0203.1 & 0312-708W) R3		CONTRACT NO. 62108		

* Center of horizontal to center of splice dimension may vary. Verify before drilling holes in mounting tube.

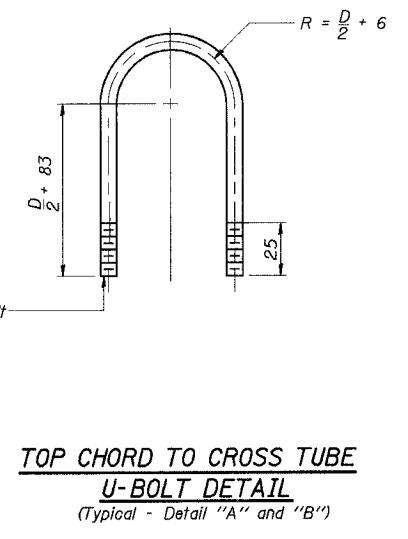
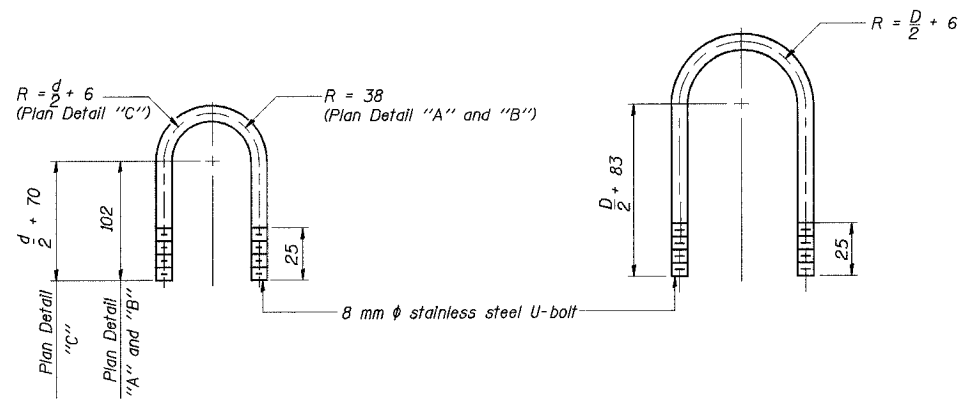
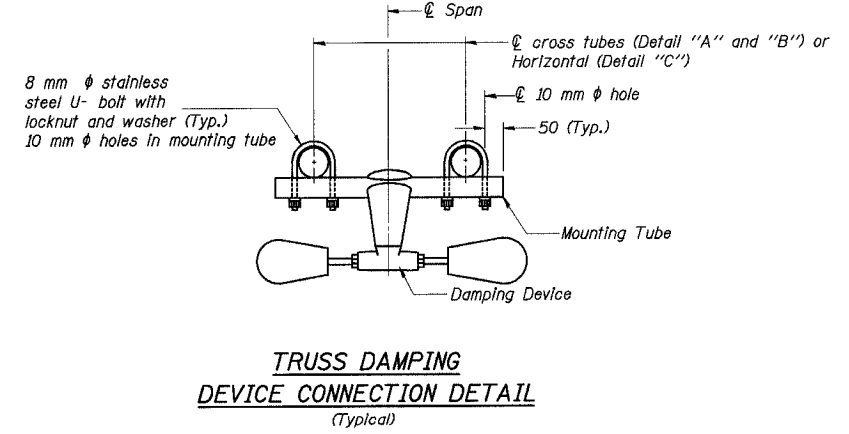
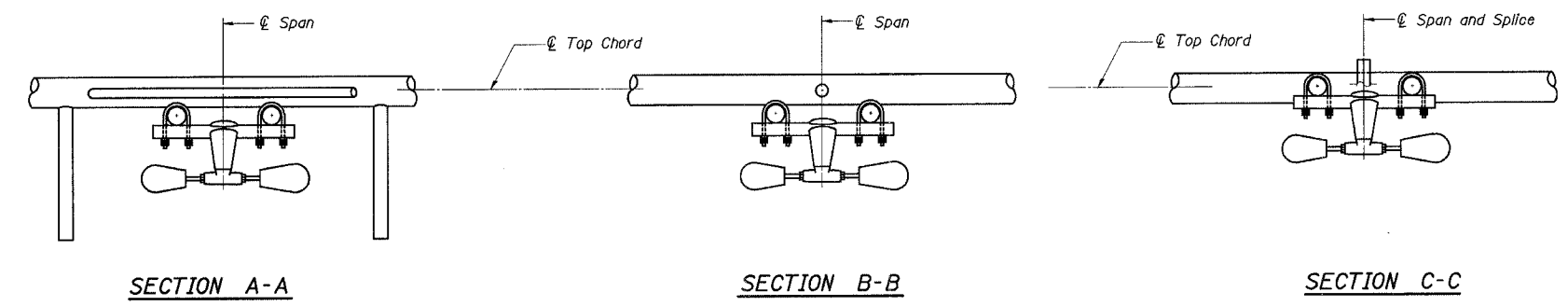


NOTES

Damper: One damper per truss.
(14 Kg Stockbridge-Type Aluminum)
Cost Included in "Overhead Sign Structure..."

Materials: Aluminum tubes shall be ASTM B221M alloy 6061 Temper T6. Cost Included in "Overhead Sign Structure..."

All dimensions are in millimeters (mm) except as noted.



DESIGNED	PY
CHECKED	DD
DRAWN	LK
CHECKED	DD

OS-A-D(M) 11/1/2002

ILLINOIS DEPARTMENT OF TRANSPORTATION
I-80/94/US 6 (KINGERY EXPRESSWAY)

OVERHEAD SIGN STRUCTURE DAMPING DEVICE

DATE: JUL 18, 2005
SCALE: ---

HNTB

J:\Beauchamp EA\34562\CADD\1\Signa\Contract\9\cads\asat90044.dgn 08-JUL-2005 15:32