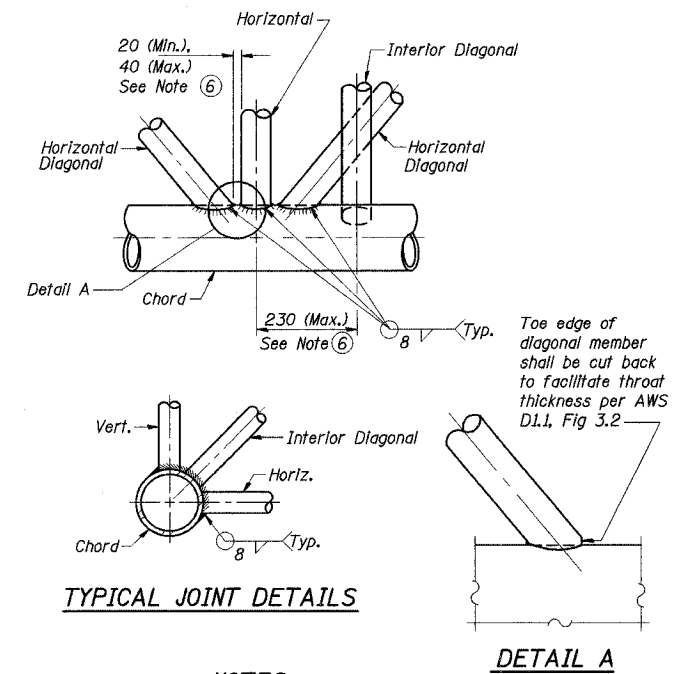
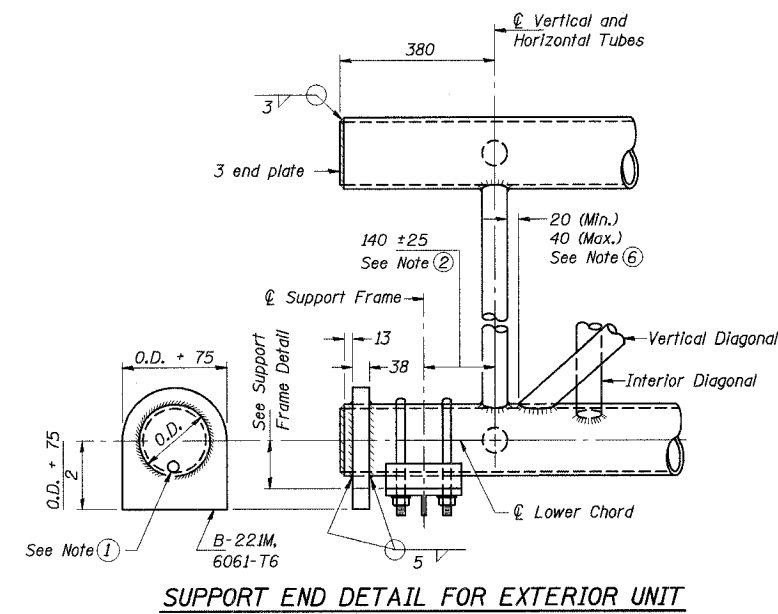
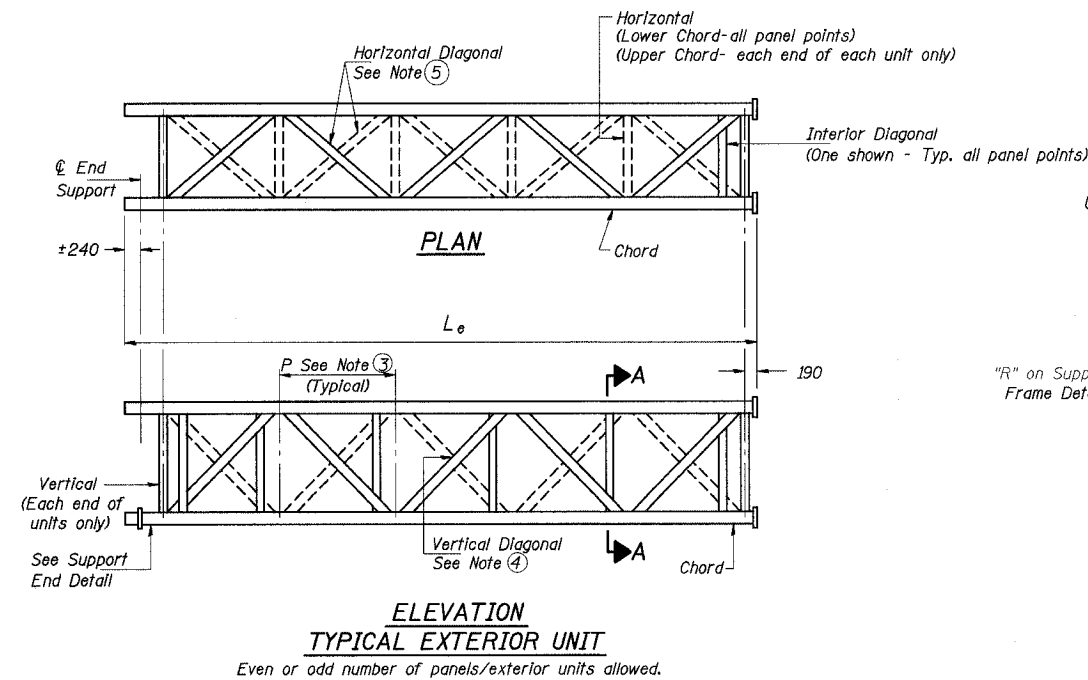
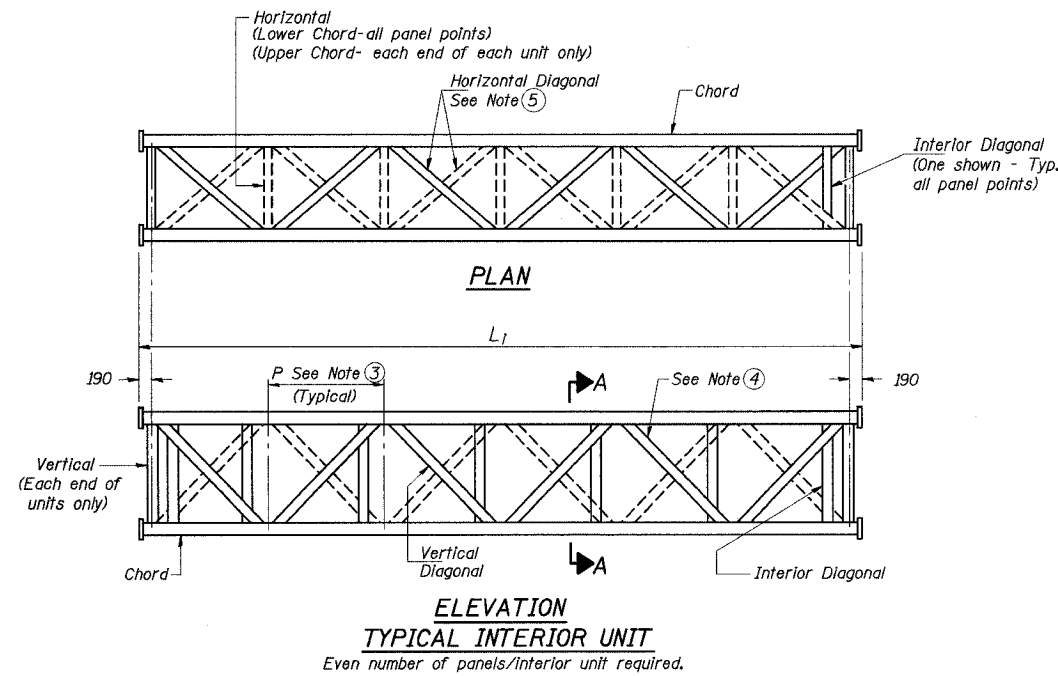


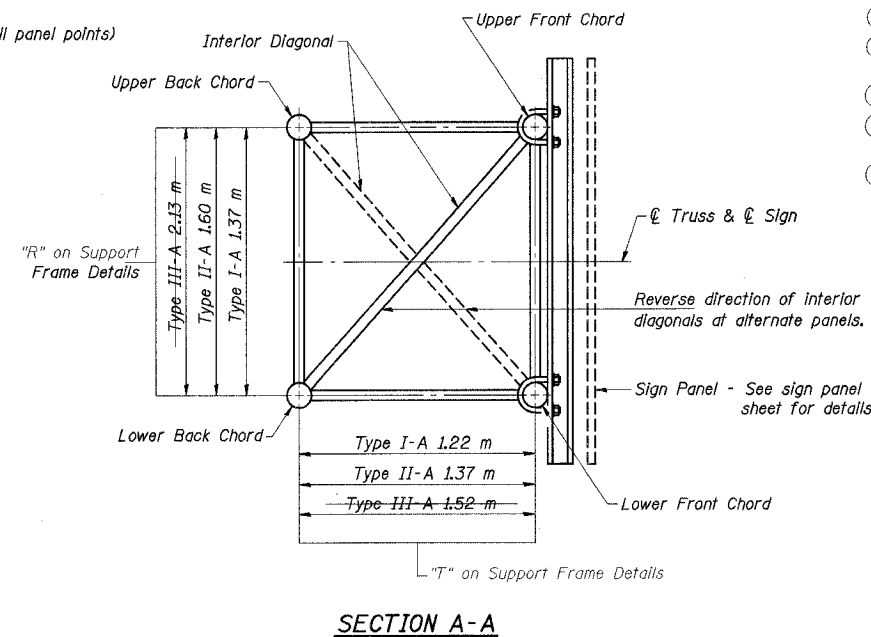
STATE OF ILLINOIS
DEPARTMENT OF TRANSPORTATION

ROUTE NO.	SECTION	COUNTY	TOTAL SHEETS	SHEET NO.
F. A. I. 80/94	*	COOK	870	316
FED. ROAD DIST. NO. 1		ILLINOIS FED. AID PROJECT-		
* (0203.1 & 0312-708W) R3		CONTRACT NO. 62108		



NOTES

- Contractor may alternatively use standard aluminum drive-fit cap to close end. 13 mm ϕ drain hole in end plate/drive-fit cap. (Typ. at ends of all chords)
- 140 mm end dimension may vary by ± 25 mm to provide uniform panel spacing (P).
- Panel spacing (P) shall be uniform for entire truss and between 1.20 m and 1.50 m for Type I-A or 1.20 m and 1.65 m for Types II-A and III-A.
- Vertical Diagonals in front and back face shall alternate.
- Hidden lines show wind bracing alternates direction between planes of top and bottom chords.
- All diagonals shall be detailed for minimum offset from the panel point based on the following: Offset shall be such as to provide a 20 mm minimum to 40 mm maximum clearance between any diagonal and any horizontal or vertical member, and to provide clearance for U-bolt connections of signs or walkway brackets.



SECTION A-A

NUMBER	REVISION	DATE

DESIGNED	PY
CHECKED	DD
DRAWN	LK
CHECKED	DD

OS-A-2(M) 11/1/2002

ILLINOIS DEPARTMENT OF TRANSPORTATION
I-80/94/US 6 (KINGERY EXPRESSWAY)

OVERHEAD SIGN STRUCTURES
ALUMINUM TRUSS DETAILS
FOR TRUSS TYPES I-A, II-A AND III-A

DATE: JUL 18, 2005
SCALE: ---

HNTB

J:\Beauchamp\EA\34562\CAD\B1\Sigma\Contract\1\cda\as\08024a.dgn 08-JUL-2005 15:52