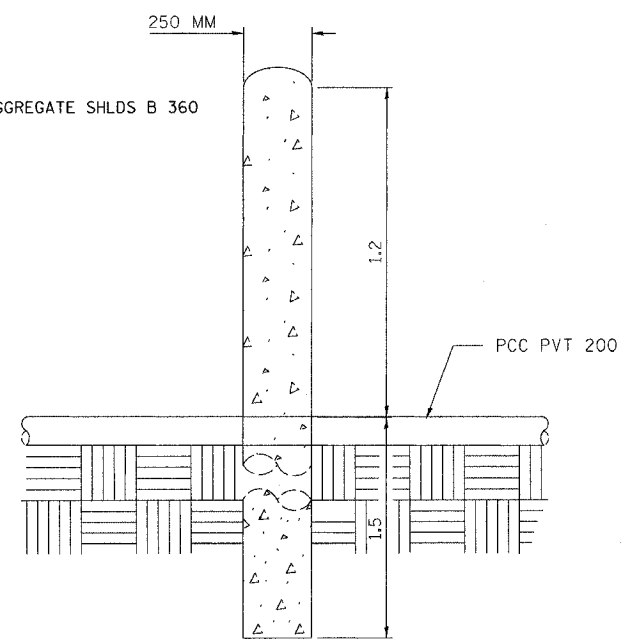
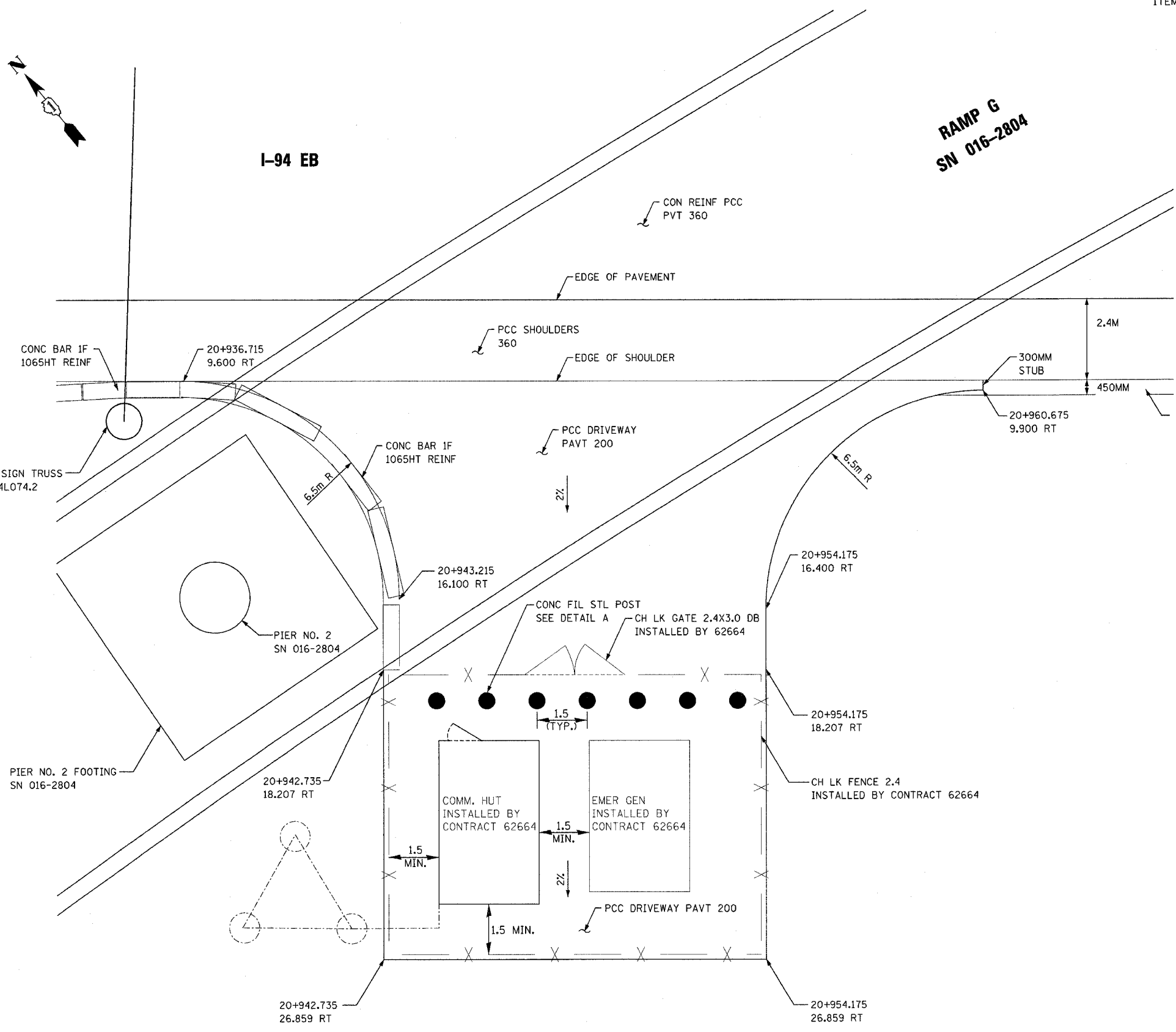


ALL DIMENSIONS IN METERS EXCEPT PAV
ITEMS AND UNLESS NOTED OTHERWISE

F.A.I. RTE.	SECTION	COUNTY	TOTAL SHEETS	SHEET NO.
80/94	*	COOK/LAKE	865	171
STA.	TO STA.			
FED. ROAD DIST. NO.	ILLINOIS	FED. AID PROJECT		
* (0203.1 & 0312-708W) R-3		CONTRACT 62108		



DETAIL A
CONCRETE FILLED STEEL POST DETAIL

PF-45

ILLINOIS DEPARTMENT OF TRANSPORTATION
I-94 EASTBOUND / IL 394 SOUTHBOUND

SITE PLAN DETAILS

REVISIONS	
NAME	DATE

SCALE NONE
DATE 07/05
DRAWN BY ACE/CAD
CHECKED BY



11/15/05 10:52 AM