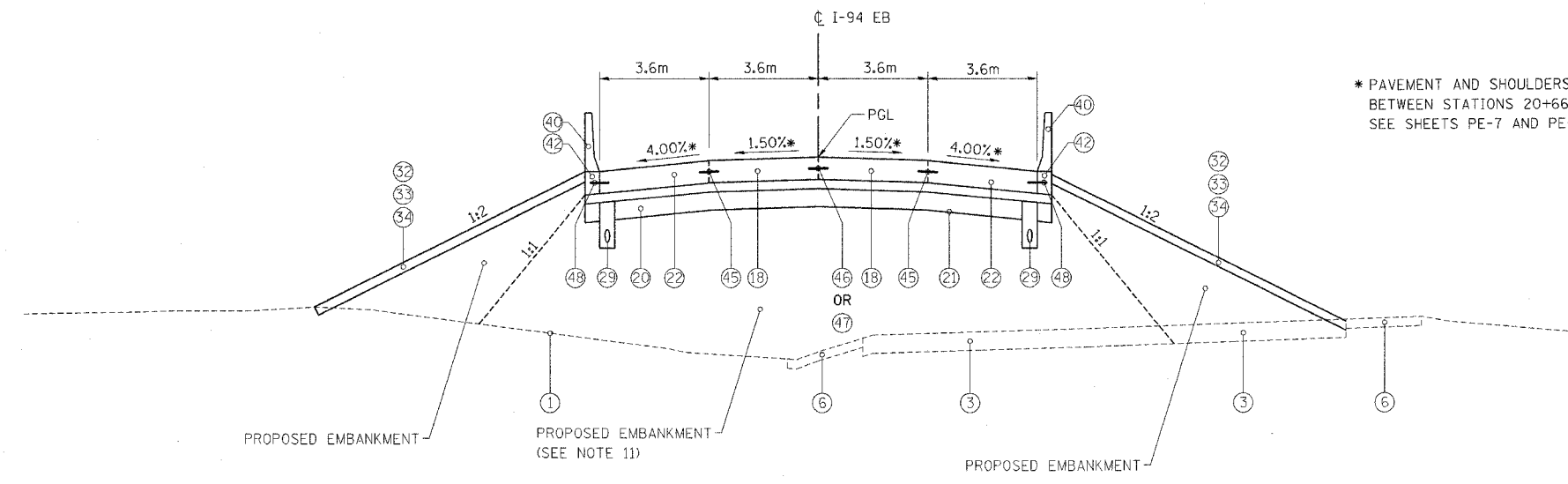
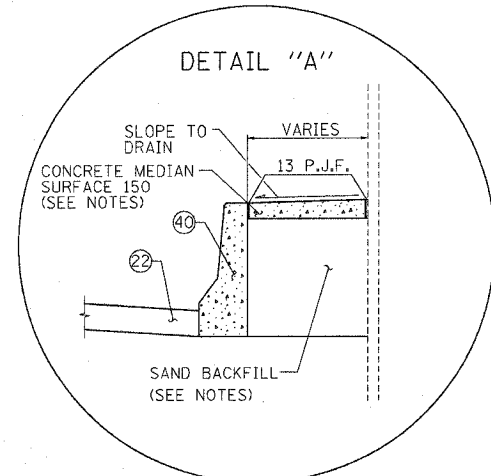


* (0203.1 & 0312-708W) R-3		CONTRACT #62108	
F.A.I. RTE.	SECTION	COUNTY	TOTAL SHEETS
80/394	*	COOK	870
STA.	TO STA.		
FED. ROAD DIST. NO. 1	ILLINOIS	FED. AID PROJECT	

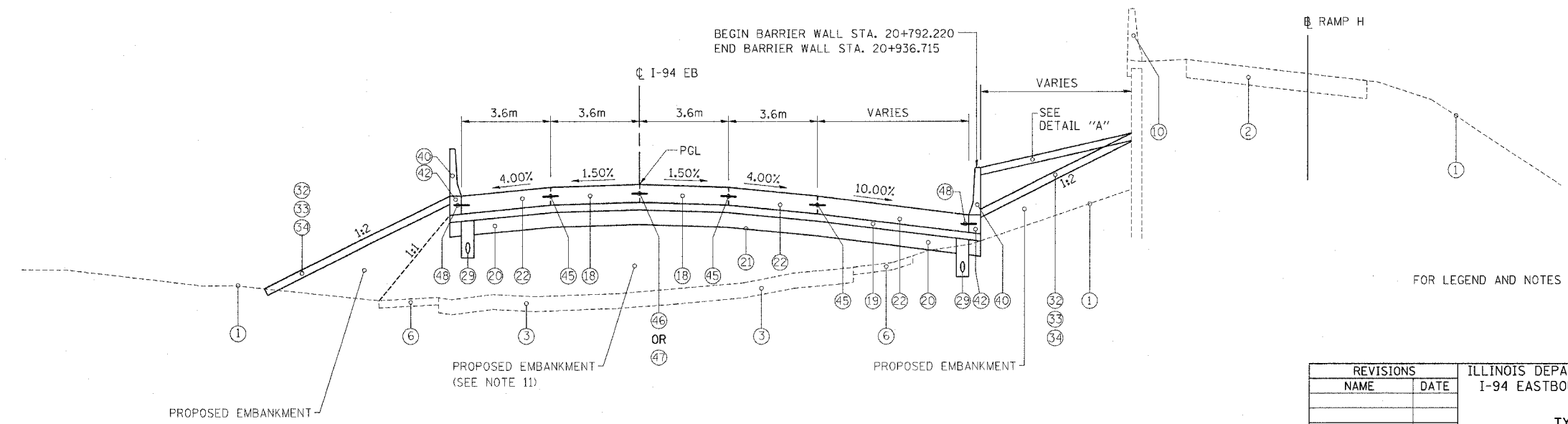


PROPOSED TYPICAL SECTION - INTERSTATE 94 EB
STA. 20+657.900 TO STA. 20+792.220 @ I-94 EB

* PAVEMENT AND SHOULDERS TRANSITION
BETWEEN STATIONS 20+663.312 AND 20+751.312
SEE SHEETS PE-7 AND PE-8 FOR DETAILS



- NOTES:
1. FURNISHING AND INSTALLING CONCRETE MEDIAN SURFACE 150, SAND BACKFILL, PREFORMED JOINT FILLER AND CONCRETE BULKHEAD SHALL BE INCLUDED IN COST OF CONCRETE BARRIER, SINGLE FACE, 1065 MM HEIGHT.
 2. FROM STA. 20+849.000 TO STA. 20+869.021



PROPOSED TYPICAL SECTION - INTERSTATE 94 EB
STA. 20+792.220 TO STA. 20+850.000 @ I-94 EB

FOR LEGEND AND NOTES SEE SHEET TS-1

REVISIONS		ILLINOIS DEPARTMENT OF TRANSPORTATION I-94 EASTBOUND / IL 394 SOUTHBOUND
NAME	DATE	
		TYPICAL SECTIONS
DATE: JULY 18, 2005		DRAWN BY: CTT CHECKED BY: RCH
		McDonough Associates Inc. Engineers / Architects

TS-10