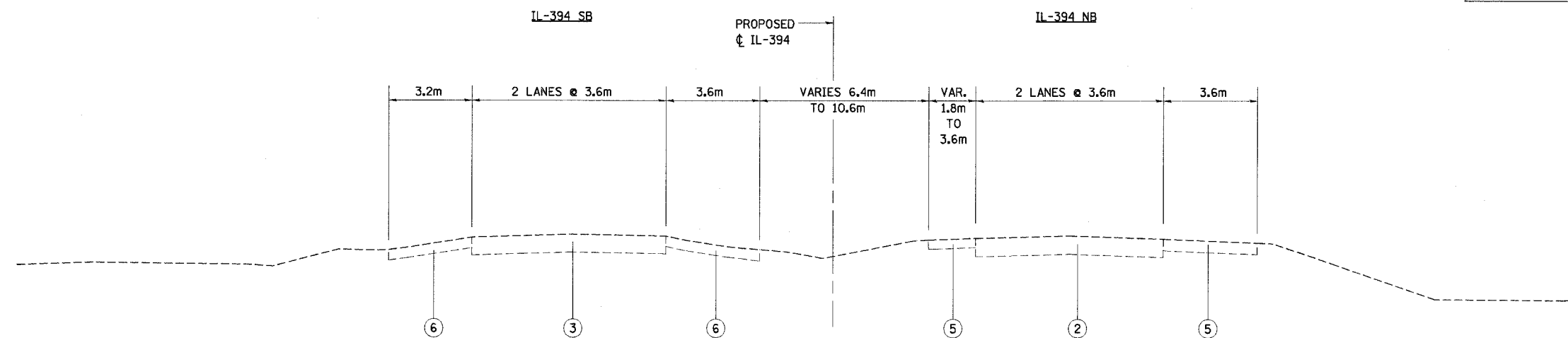
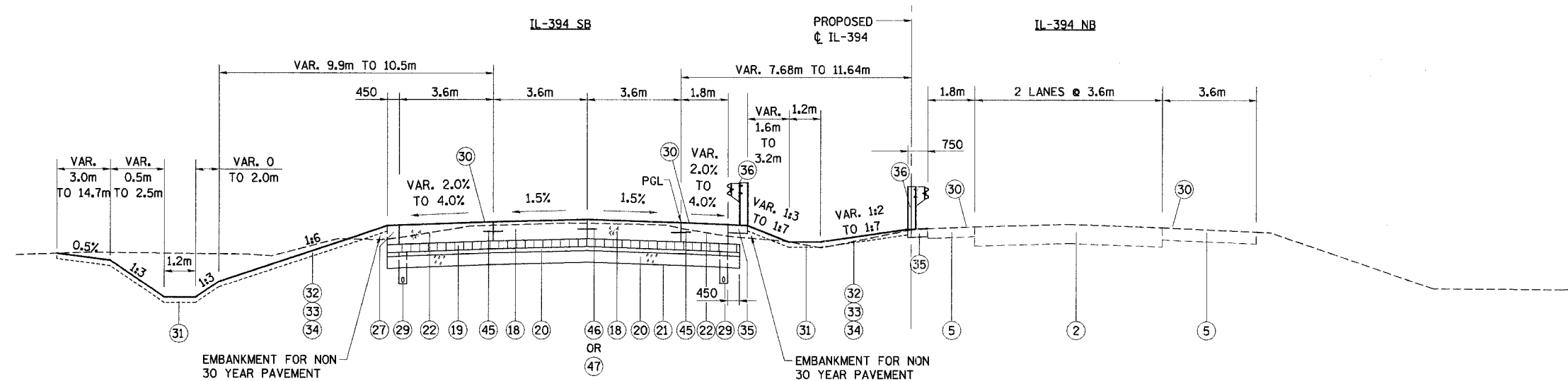


F.A.I. RTE	SECTION	COUNTY	TOTAL SHEETS	SHEET NO.
80/94	*	COOK	870	26
STA.		TO STA.		
FED ROAD DIST. NO.		ILLINOIS FED. AID PROJECT		



EXISTING TYPICAL SECTION - IL ROUTE 394 SB

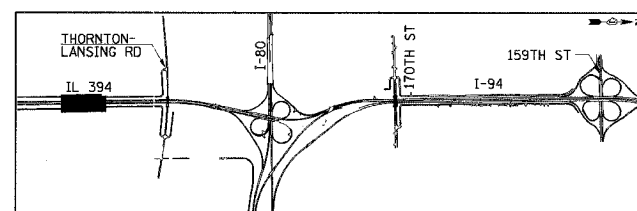
IL-394 STATION 38+519.441 TO STATION 38+775.000
LOOKING NORTH



• STA. 38+735.094 TO STA. 38+775.000
WIDTH WIDENS FROM 1.8m TO 3.6m

PROPOSED TYPICAL SECTION - IL ROUTE 394 SB

IL-394 STATION 38+519.441 TO STATION 38+775.000
LOOKING NORTH



REVISIONS	
NAME	DATE

TS-9

ILLINOIS DEPARTMENT OF TRANSPORTATION
I-94 EAST BOUND / IL 394 SOUTH BOUND

**TYPICAL SECTIONS
IL-394 SB**

HORIZ SCALE: N.T.S.
VERT SCALE: N.T.S.
DATE: JULY 18, 2005

DRAWN BY: JYMC
CHECKED BY: JES

HNTB

NOTE: SEE TS-1 FOR LEGEND AND NOTES.