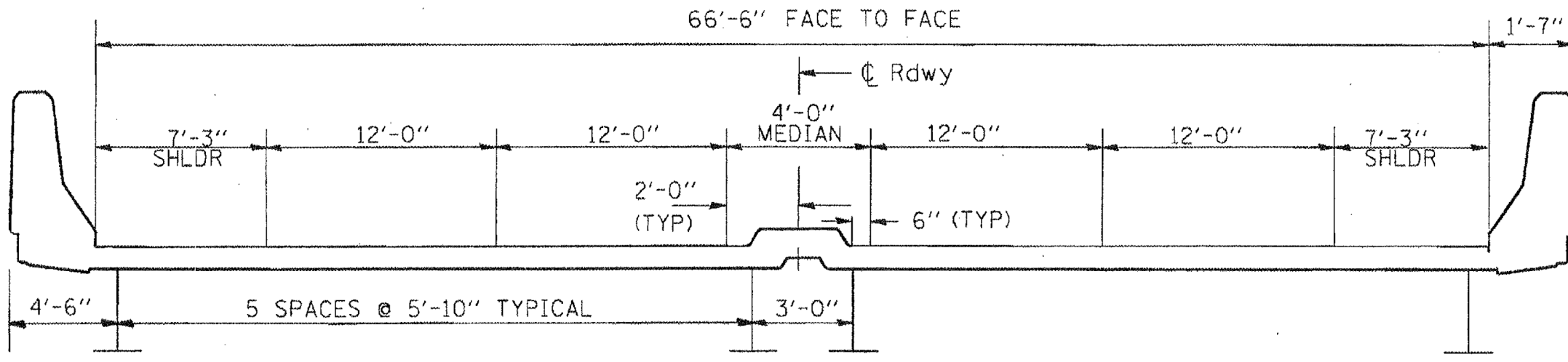


EXISTING PLAN
SN 047-0006

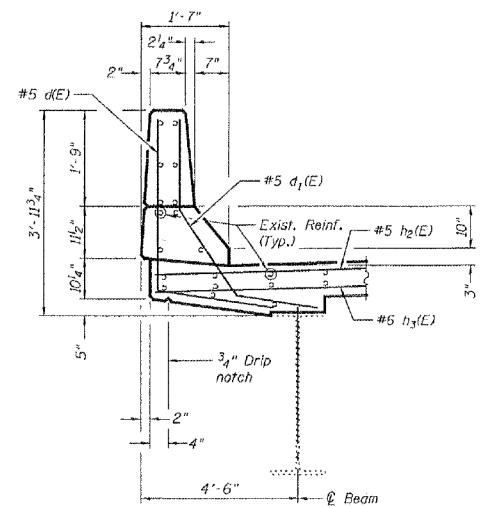
PLAN
Scale: 1"=20'



EXISTING CROSS SECTION

EXISTING TYPICAL SECTION

SN 047-0006



TYPICAL CROSS SECTION & DECK PLAN VIEW
LOCATION NO. 22 (SN 047-0006)

FILE NAME =	USER NAME = gulloumefp	DESIGNED -	REVISED -
ci:\pwwork\p\dott\gulloumefp\d0388342\134814-sht-plan.dgn		DRAWN -	REVISED -
Default	PLOT SCALE = 100.0000' / 1in.	CHECKED -	REVISED -
	PLOT DATE = 8/22/2014	DATE -	REVISED -

STATE OF ILLINOIS
DEPARTMENT OF TRANSPORTATION

SCALE: NTS SHEET 1 OF 1 SHEETS STA. TO STA.

ROUTE	SECTION	COUNTY	TOTAL SHEETS	SHEET NO.
VARIOUS	2014-0371	DUPAGE	37	31
CONTRACT NO. 60Y31			ILLINOIS FED. AID PROJECT	