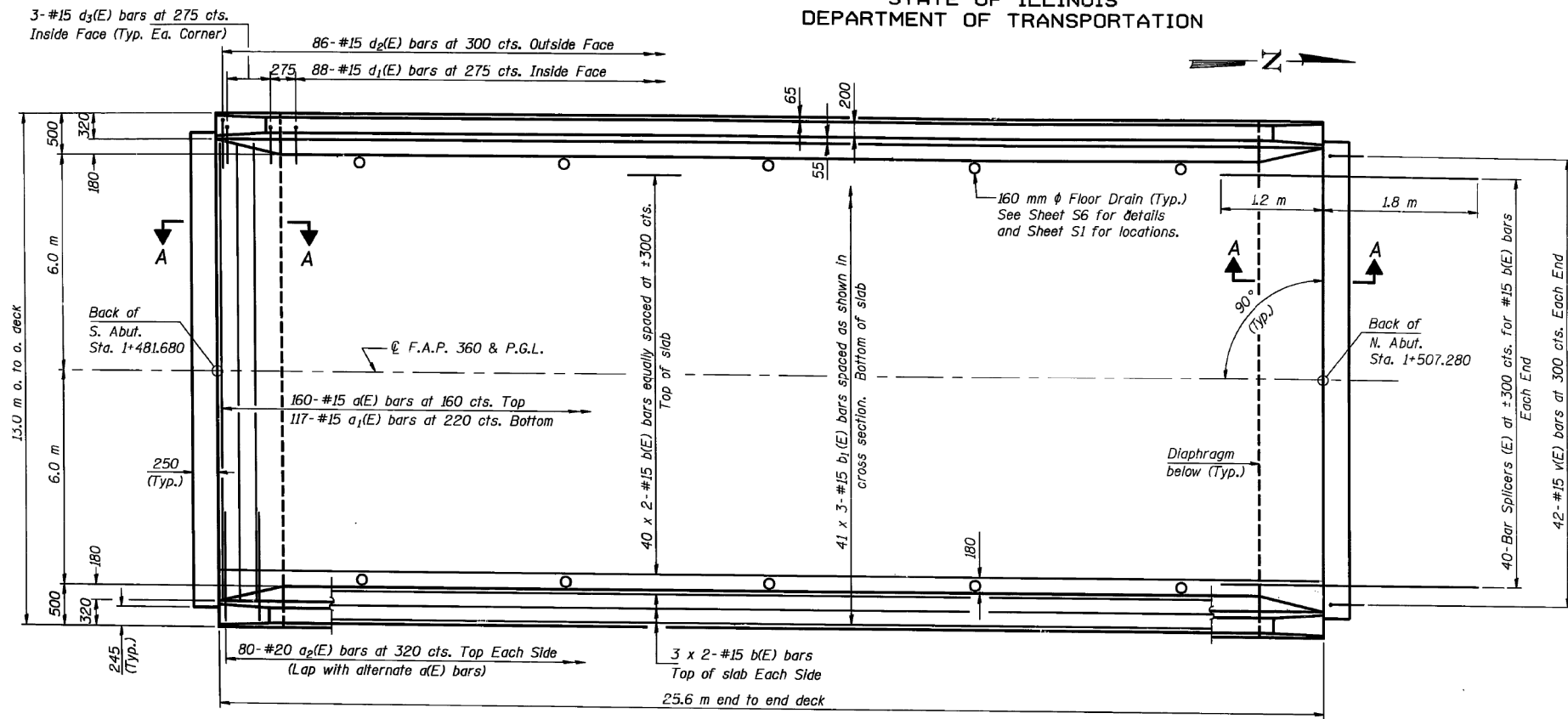
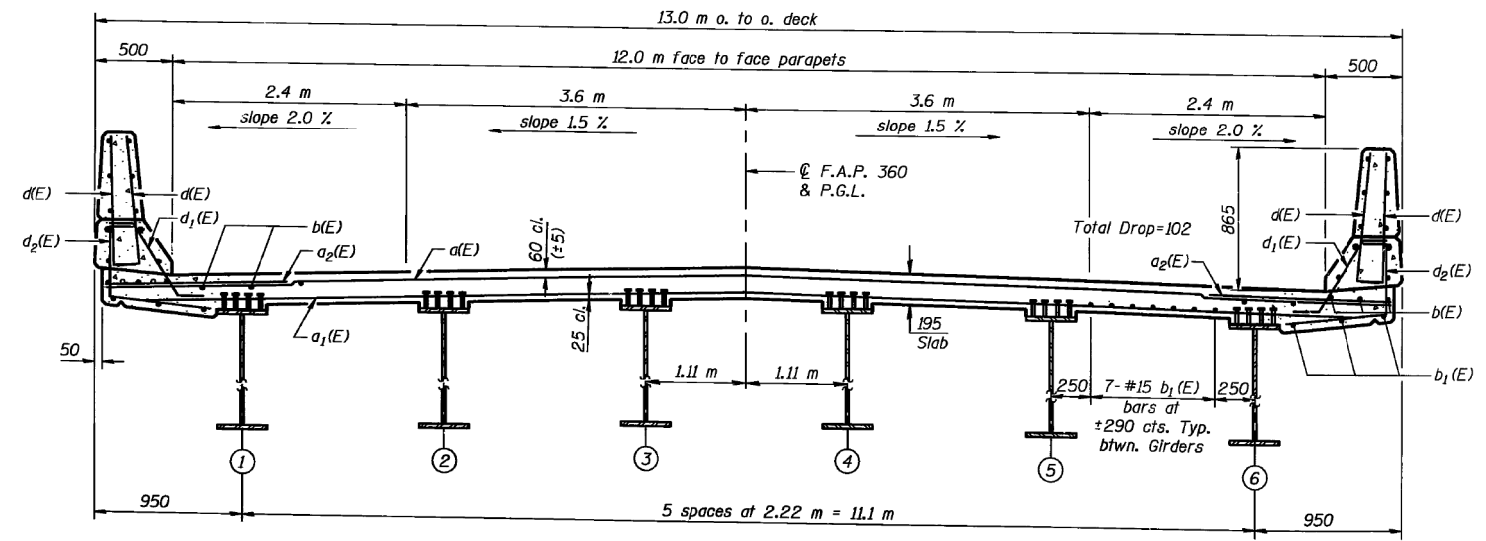


STATE OF ILLINOIS  
DEPARTMENT OF TRANSPORTATION



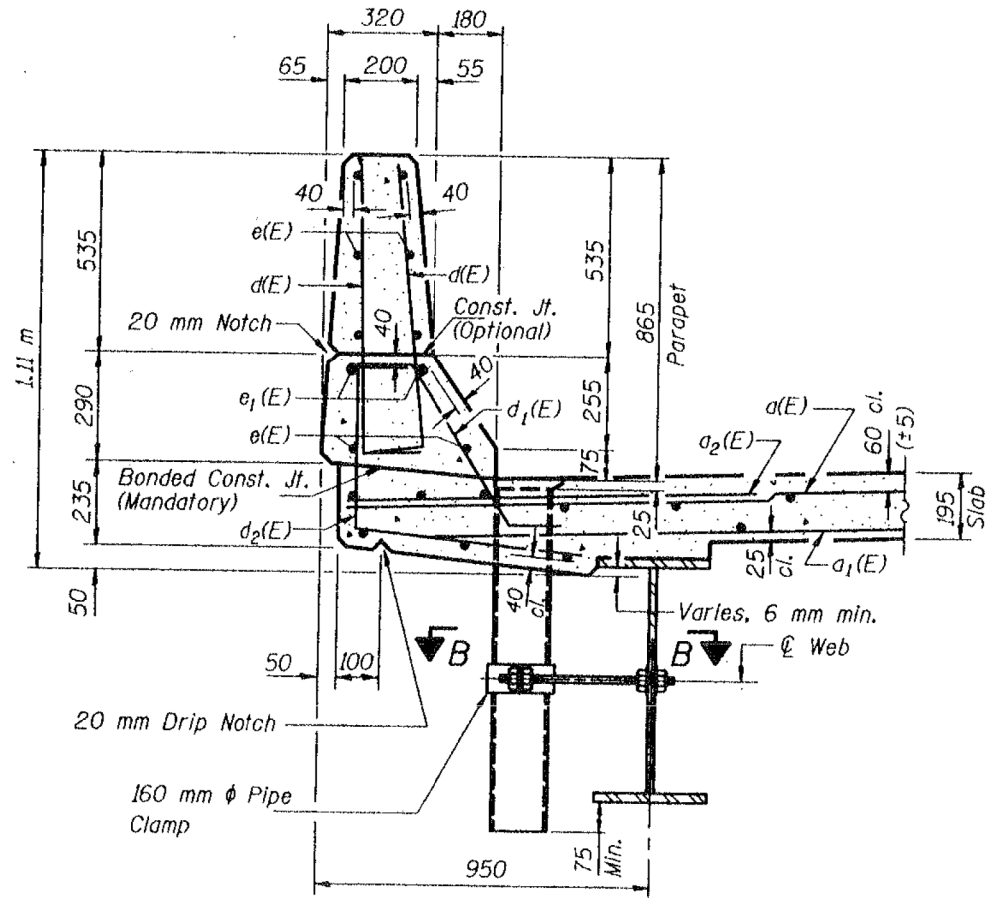
**EXISTING PLAN**  
SN 045-2023

PLAN



**CROSS SECTION**  
(Looking North)

**EXISTING TYPICAL SECTION**  
SN 045-2023



**SECTION THRU PARAPET**

FILE NAME =	USER NAME = gulloumefp	DESIGNED -	REVISED -	<b>STATE OF ILLINOIS DEPARTMENT OF TRANSPORTATION</b>	<b>TYPICAL CROSS SECTION &amp; DECK PLAN VIEW</b>		ROUTE	SECTION	COUNTY	TOTAL SHEETS	SHEET NO.
ci:\pwork\pwork\gulloumefp\0388342\134814-sh-t-plan.dgn	PLT SCALE = 100.0000' / 1in.	DRAWN -	REVISED -				VARIOUS	2014-0371	DUPAGE	37	30
Default	PLT DATE = 8/22/2014	CHECKED -	REVISED -		LOCATION NO. 21 (SN 045-2023)			CONTRACT NO. 60Y31			
		DATE -	REVISED -		SCALE: NTS	SHEET 1	OF 1	SHEETS	STA.	TO STA.	ILLINOIS FED. AID PROJECT