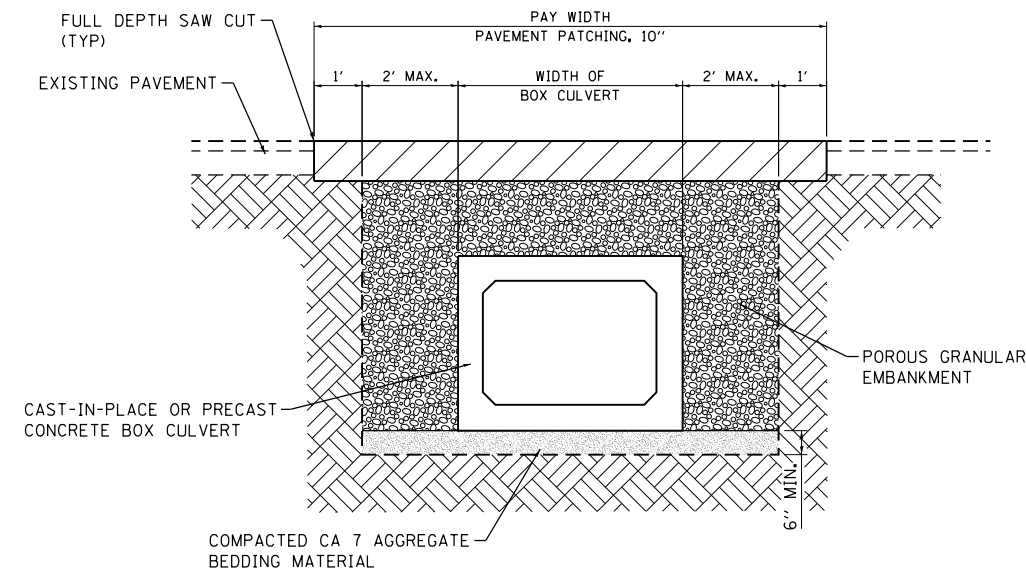
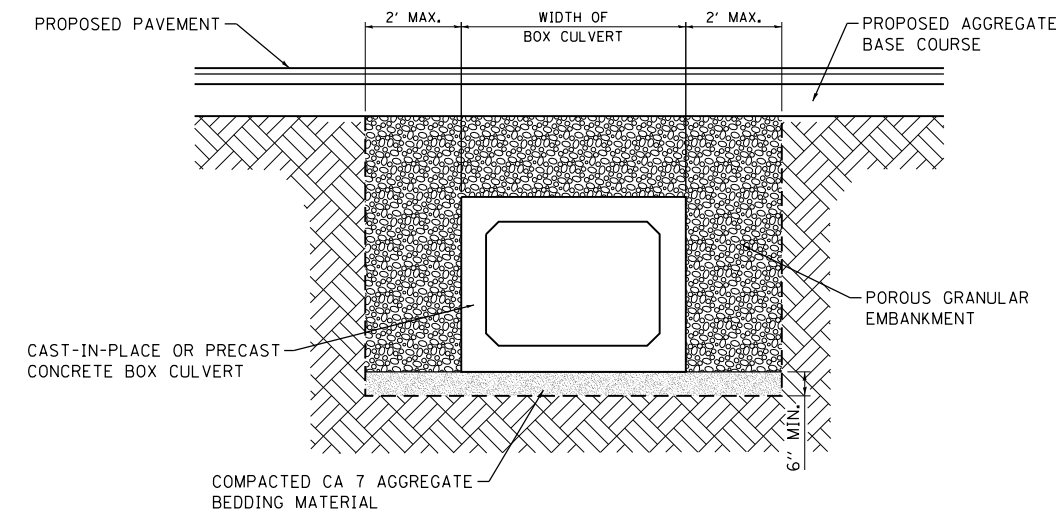


PROPOSED PIPE CULVERT END TREATMENT DETAIL
(NOT TO SCALE)



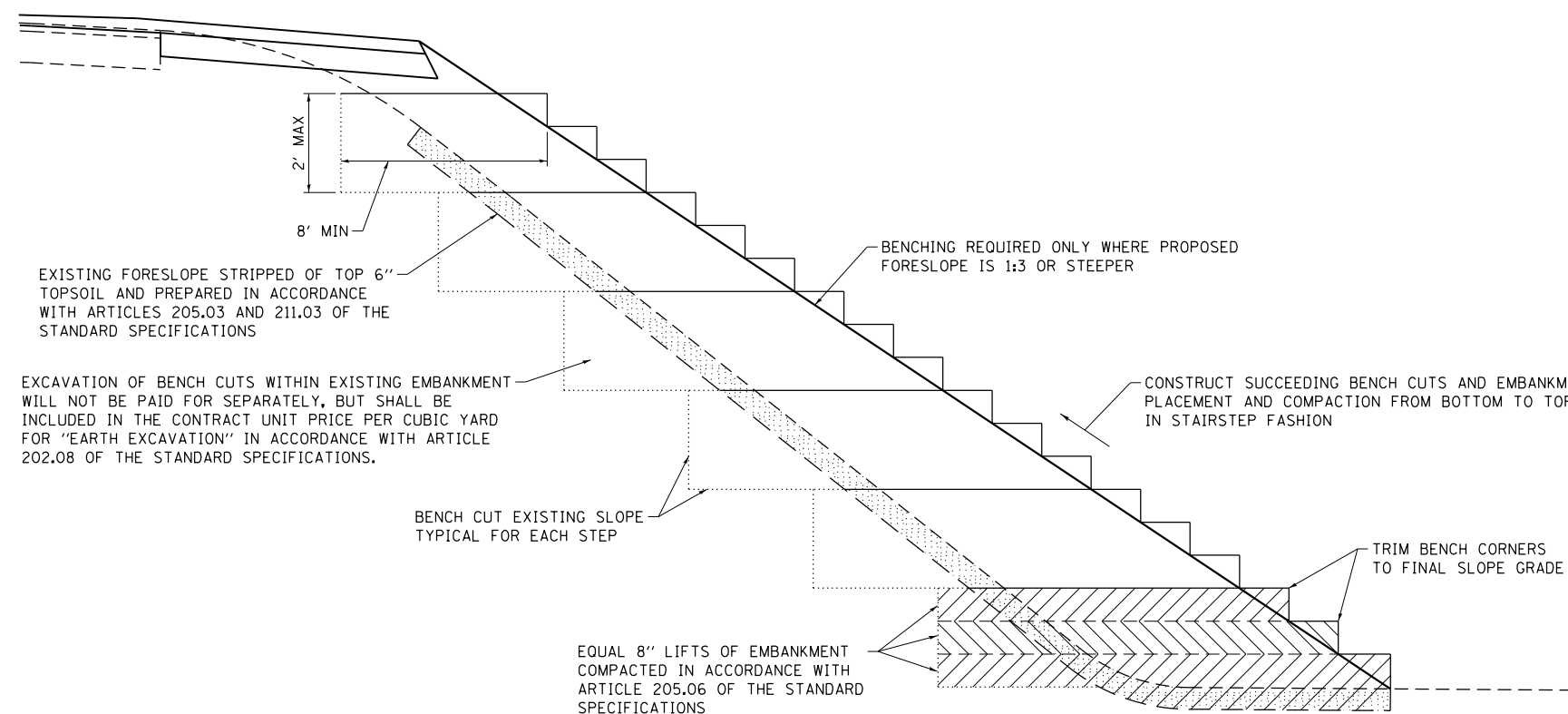
CULVERT REPLACEMENT DETAIL W/PAVEMENT PATCHING



CULVERT REPLACEMENT DETAIL W/PAVEMENT RECONSTRUCTION

NOTES:

1. STRUCTURE EXCAVATION, BEDDING, AND BACKFILL SHALL BE INCLUDED IN THE CONTRACT UNIT PRICE FOR CONCRETE BOX CULVERTS OR PRECAST CONCRETE BOX CULVERTS OF THE SIZED SPECIFIED.
2. LIMITS OF POROUS GRANULAR EMBANKMENT TO EXTEND 2 FEET OUTSIDE THE EDGE OF PAVEMENT OR SHOULDER.



TYPICAL BENCHING DETAIL FOR EMBANKMENTS

FILE NAME = S:\Projects\08-0228-VHY IL 3_Greentown\dm\CA00_Sheets\0876789-sh-t-detail1.dgn



| | | |
|-----------------------------|----------------|-----------|
| USER NAME = l_jackson | DESIGNED - ACM | REVISED - |
| MODEL NAME = DETAIL 8 | DRAWN - EDW | REVISED - |
| PLOT SCALE = 20.0000' / in. | CHECKED - LWJ | REVISED - |
| PLOT DATE = 8/11/2014 | DATE - 8-11-14 | REVISED - |

**STATE OF ILLINOIS
DEPARTMENT OF TRANSPORTATION**

**EMBANKMENT AND CULVERT
DETAILS**

SCALE: SHEET 8 OF 9 SHEETS

| | | | | |
|---------------------------|-----------|--------|--------------------|-----------|
| F.A.S. RTE. | SECTION | COUNTY | TOTAL SHEETS | SHEET NO. |
| • | 101-2RS-1 | JERSEY | 438 | 292 |
| • 749/752 | | | CONTRACT NO. 76789 | |
| ILLINOIS FED. AID PROJECT | | | | |