

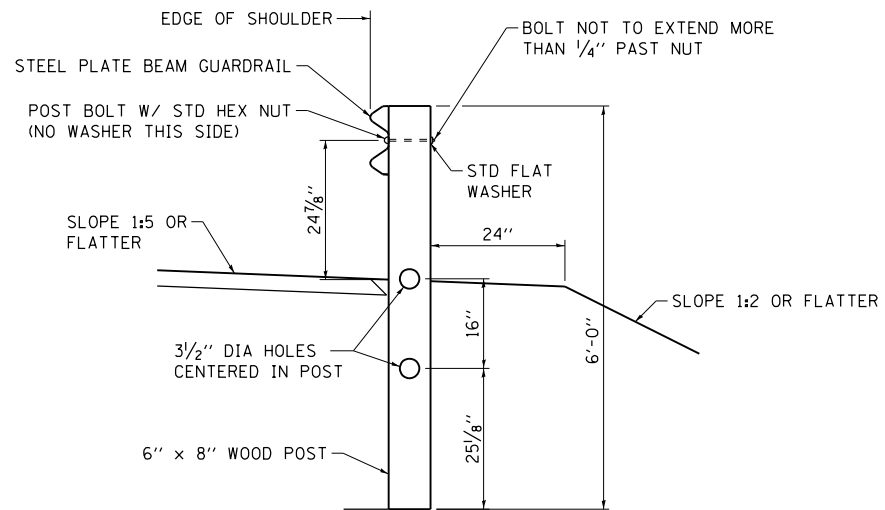
INSTALLATION CHARACTERISTICS PER DESIGN RADIUS			
R	NO. OF WOOD POSTS	X	Y
8'-6"	5' (NOTE 3)	25'	15'
17'-0"	6'	30'	15'
25'-6"	8'	40'	20'
35'-0"	11'	50'	20'

NOTES:

1. CONSTRUCT ACCORDING TO STANDARD 631011 FOR TRAFFIC BARRIER TERMINAL TYPE 2, EXCEPT DELETE END SECTION AND SPLICE INTO RADIUS GUARDRAIL.
2. STEEL PLATE BEAM GUARDRAIL TYPE A, TYPE B OR TRAFFIC BARRIER TERMINAL AS SPECIFIED.
3. FOR THE 8'-6" RADIUS, THE RAIL IS NOT BOLTED TO THE POST LOCATED AT THE MIDPOINT OF THE CURVE.

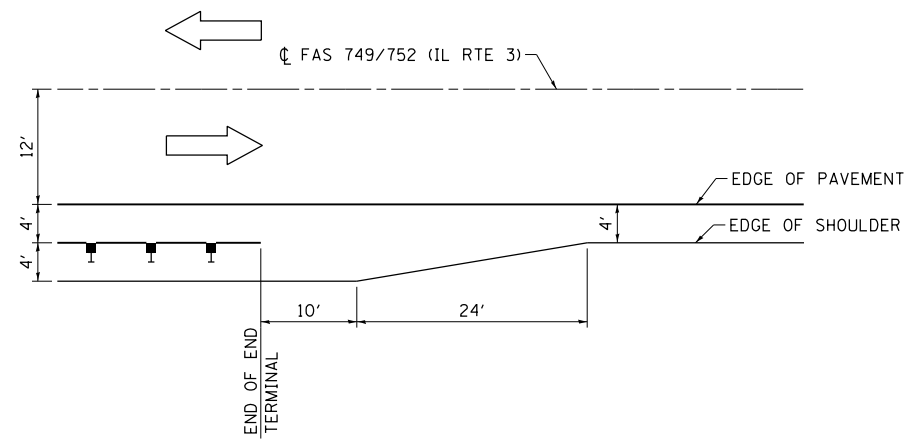
PLAN VIEW SHORT RADIUS GUARDRAIL DETAIL

(NOT TO SCALE)



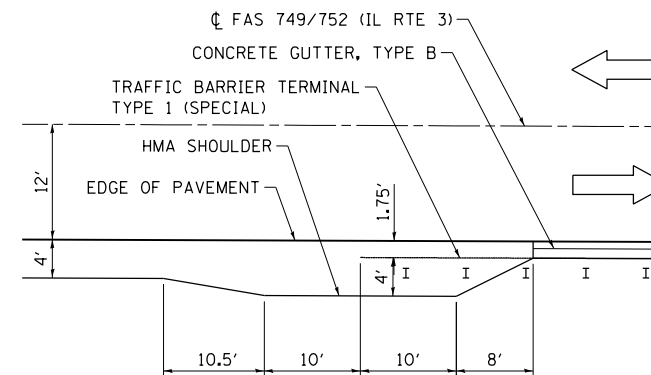
SECTION A-A

(NOT TO SCALE)



SHOULDER TRANSITION AT GUARDRAIL END TERMINAL

(NOT TO SCALE)



SHOULDER TRANSITION AT GUARDRAIL END TERMINAL AND CONCRETE GUTTER

(NOT TO SCALE)

FILE NAME = S:\Projects\089-002B-VHY IL 3_Corridor\logn\CADD_Sheets\089752\89-shr-det-1.dgn



USER NAME = ljackson	DESIGNED - ACM	REVISED -
MODEL NAME = DETAIL 7	DRAWN - EDW	REVISED -
PLOT SCALE = 20.0000' / in.	CHECKED - LWJ	REVISED -
PLOT DATE = 8/22/2014	DATE - 8-11-14	REVISED -

**STATE OF ILLINOIS
DEPARTMENT OF TRANSPORTATION**

**GUARDRAIL
DETAILS**

SCALE: SHEET 7 OF 9 SHEETS

F.A.S. RTE.	SECTION	COUNTY	TOTAL SHEETS	SHEET NO.
• 749/752	101-2RS-1	JERSEY	438	291
			CONTRACT NO. 76789	
ILLINOIS FED. AID PROJECT				