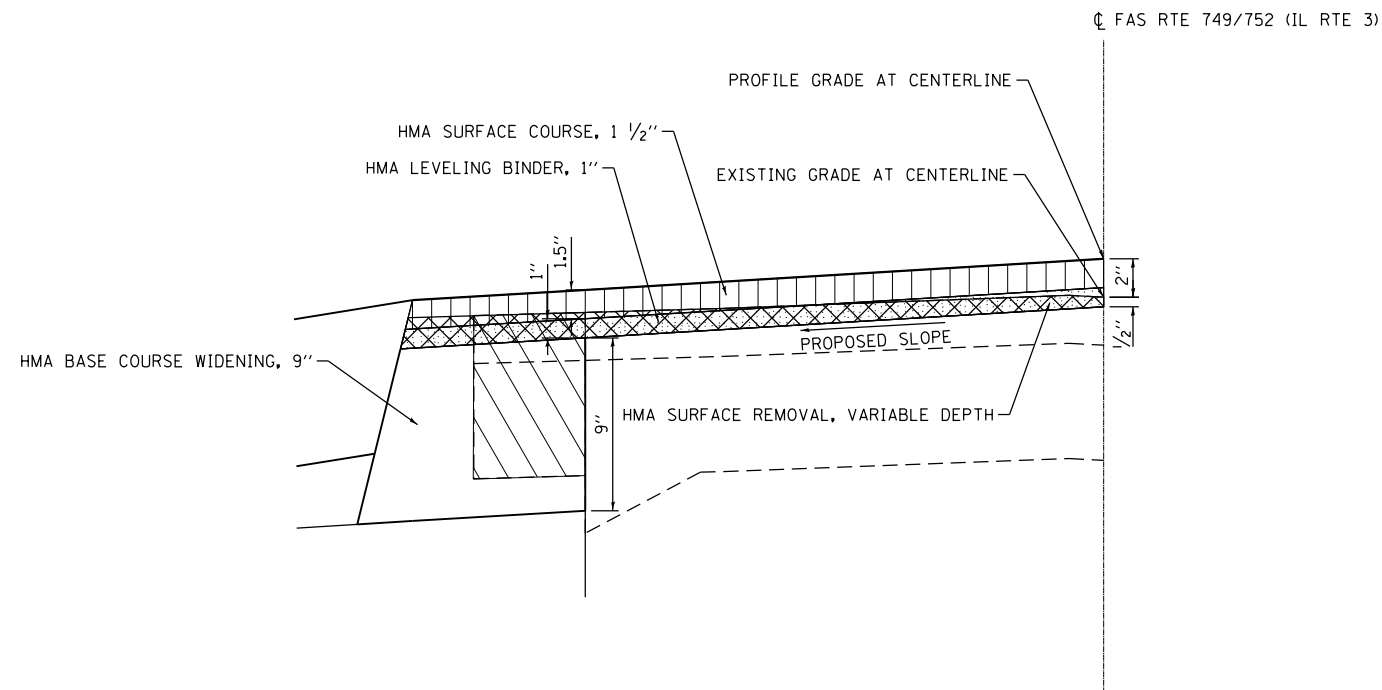
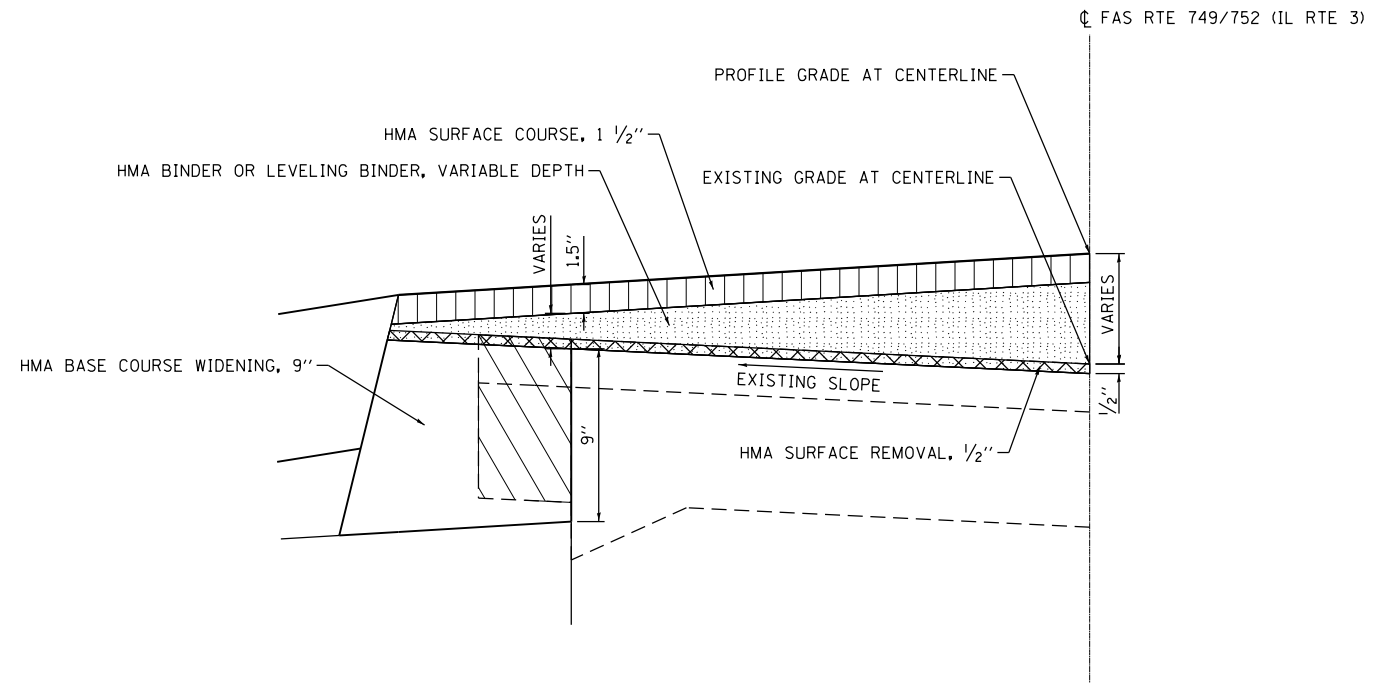


NOTES:

1. REFER TO THE ROAD PROFILE AND TYPICALS SECTIONS FOR MILLING THICKNESSES AT  $\phi$  AND LOCATIONS WHERE EACH OCCURS.
2. MILLING TO THE BOTTOM OF WHEEL RUTS SHALL NOT BE NECESSARY UNLESS REQUIRED TO OBTAIN SLOPE OR THE DESIGN DEPTH AT CENTERLINE.
3. NOMINAL MILLING AREAS SHALL BE PAID FOR UNDER THE FOLLOWING:  
 HOT-MIX ASPHALT SURFACE REMOVAL,  $1/2''$   
 HOT-MIX ASPHALT SURFACE REMOVAL,  $1 1/2''$
4. VARIABLE MILLING AREAS SHALL BE PAID FOR UNDER THE FOLLOWING:  
 HOT-MIX ASPHALT SURFACE REMOVAL, VARIABLE DEPTH
5. THE TOTAL FINAL PAVEMENT THICKNESS IN THE BASE COURSE WIDENING AREAS SHALL BE AT LEAST  $11 1/2''$ . IF THE BASE COURSE WIDENING IS PLACED PRIOR TO MILLING THE EXISTING SURFACE, THE THICKNESS OF THE WIDENING SHALL BE ADJUSTED, AT NO ADDITIONAL COST TO THE CONTRACT, TO INSURE THAT THE REQUIRED TOTAL THICKNESS WILL BE PROVIDED.
6. THE QUANTITIES OF VARIOUS SURFACE REMOVALS ASSUMES THAT THE BASE COURSE WIDENING WILL BE IN PLACE PRIOR TO THE MILLING OPERATIONS AND WILL BE MILLED ALONG WITH THE EXISTING PAVEMENT.



**HOT-MIX ASPHALT SURFACE REMOVAL DETAIL (VARIABLE DEPTH)**



**HOT-MIX ASPHALT SURFACE REMOVAL DETAIL (NOMINAL DEPTH)**

- HOT-MIX ASPHALT SURFACE REMOVAL
- PAVEMENT REMOVAL
- HOT-MIX ASPHALT SURFACE COURSE
- HOT-MIX ASPHALT BINDER COURSE OR LEVEL BINDER

FILE NAME = S:\Projects\089-002B-VHY IL 3\_Cref\cm\dm\CADD\_Sheets\08976789-shr-detail1.dgn



USER NAME = l_jackson	DESIGNED - ACM	REVISED -
MODEL NAME = DETAIL 5	DRAWN - EDW	REVISED -
PLOT SCALE = 20.0000' / in.	CHECKED - LWJ	REVISED -
PLOT DATE = 8/11/2014	DATE - 8-11-14	REVISED -

**STATE OF ILLINOIS  
DEPARTMENT OF TRANSPORTATION**

**HMA SURFACE REMOVAL  
DETAILS**

SCALE: SHEET 5 OF 9 SHEETS

F.A.S. RTE.	SECTION	COUNTY	TOTAL SHEETS	SHEET NO.
• 749/752	101-2RS-1	JERSEY	438	289
• 749/752			<b>CONTRACT NO. 76789</b>	
ILLINOIS FED. AID PROJECT				