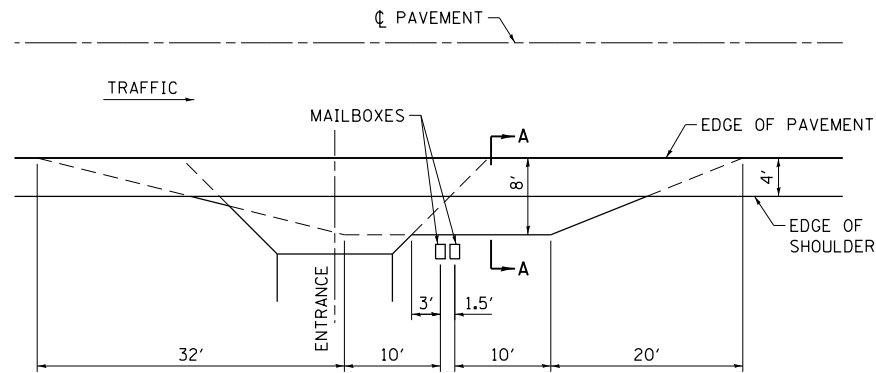
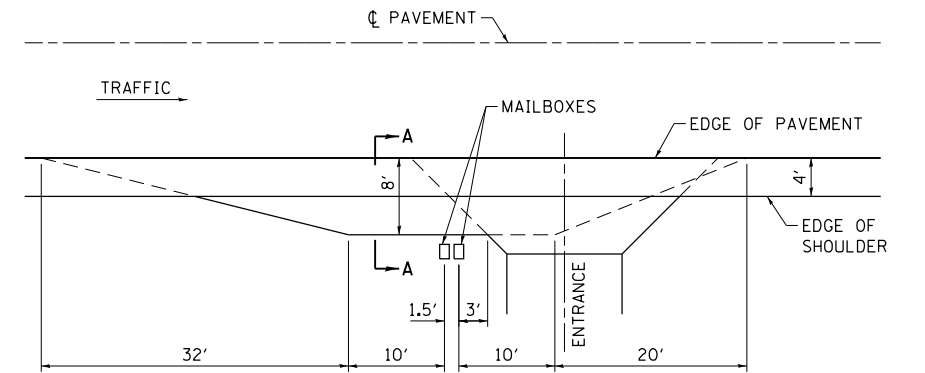


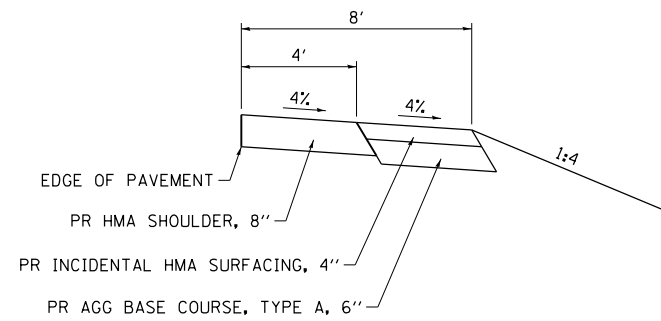
MAILBOX NOT AT ENTRANCE



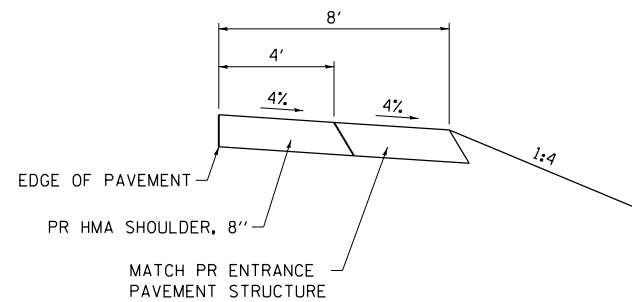
MAILBOX ON FARSIDE OF ENTRANCE



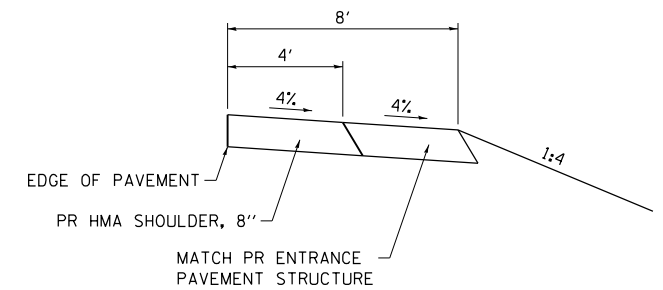
MAILBOX ON NEAR SIDE OF ENTRANCE



SECTION A-A
(NOT TO SCALE)



SECTION A-A
(NOT TO SCALE)



SECTION A-A
(NOT TO SCALE)

NOTE:

FOR SINGLE MAILBOX OMIT SPACE BETWEEN MAILBOXES AS SHOWN ON DETAILS.

FILE NAME = S:\Projects\089-002B-VHY IL 3_Cret\asn\dm\CADD_Sheets\08976789-sh-detai1.dgn



USER NAME = l_jackson	DESIGNED - ACM	REVISED -
MODEL NAME = DETAIL 3	DRAWN - EDW	REVISED -
PLOT SCALE = 20.0000' / in.	CHECKED - LWJ	REVISED -
PLOT DATE = 8/11/2014	DATE - 8-11-14	REVISED -

**STATE OF ILLINOIS
DEPARTMENT OF TRANSPORTATION**

**MAILBOX TURNOUT
DETAILS**

SCALE: SHEET 3 OF 9 SHEETS

F.A.S. RTE.	SECTION	COUNTY	TOTAL SHEETS	SHEET NO.
•	101-2RS-1	JERSEY	438	287
• 749/752			CONTRACT NO. 76789	
ILLINOIS FED. AID PROJECT				