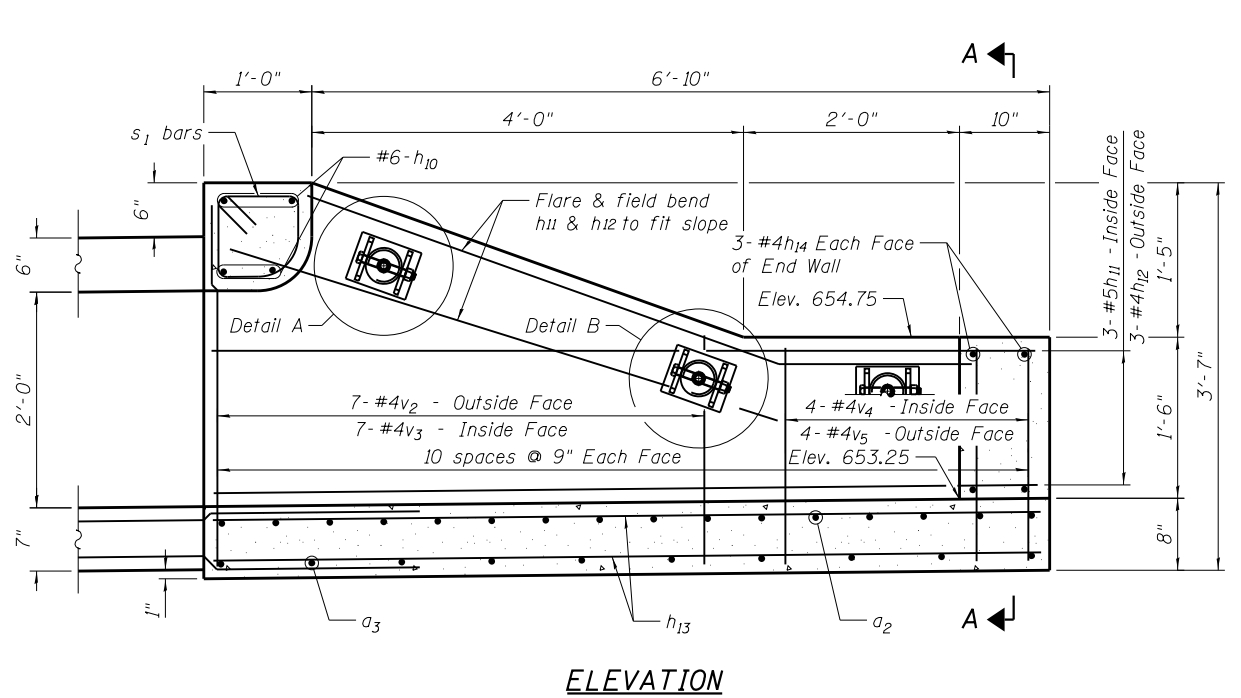
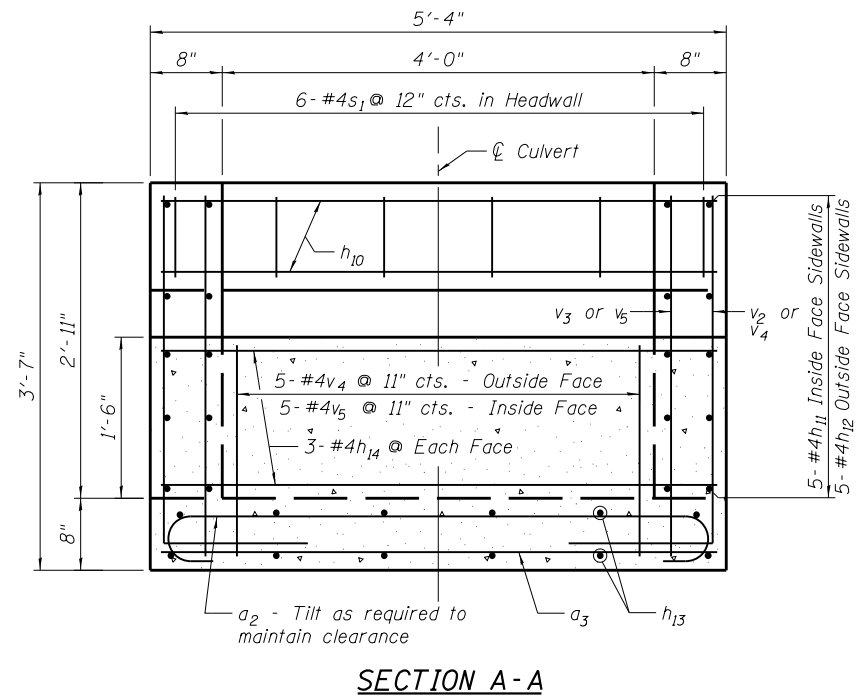


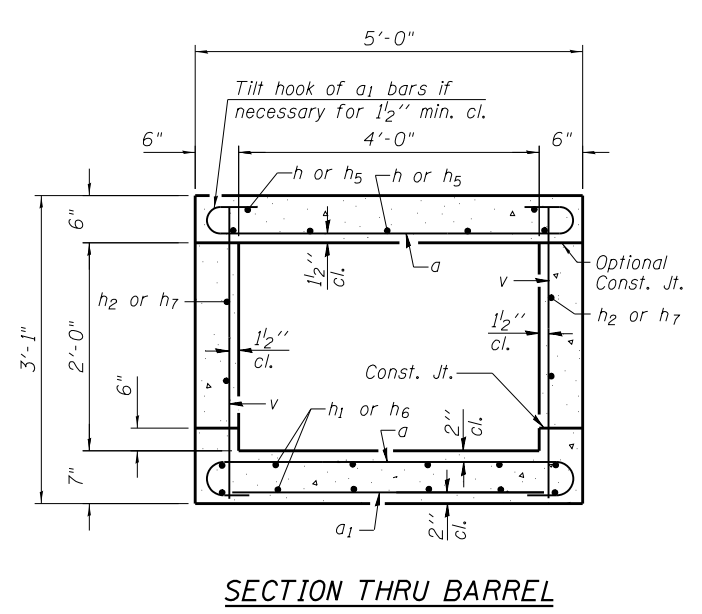
PRINT DATE: 8/7/2014 11:50:47 AM Y:\4108 IDOT BLA W034 Culvert Replacements\DGN\Bridges\Final\PlotSheets\76789_283_28325_Drop_Box.dgn



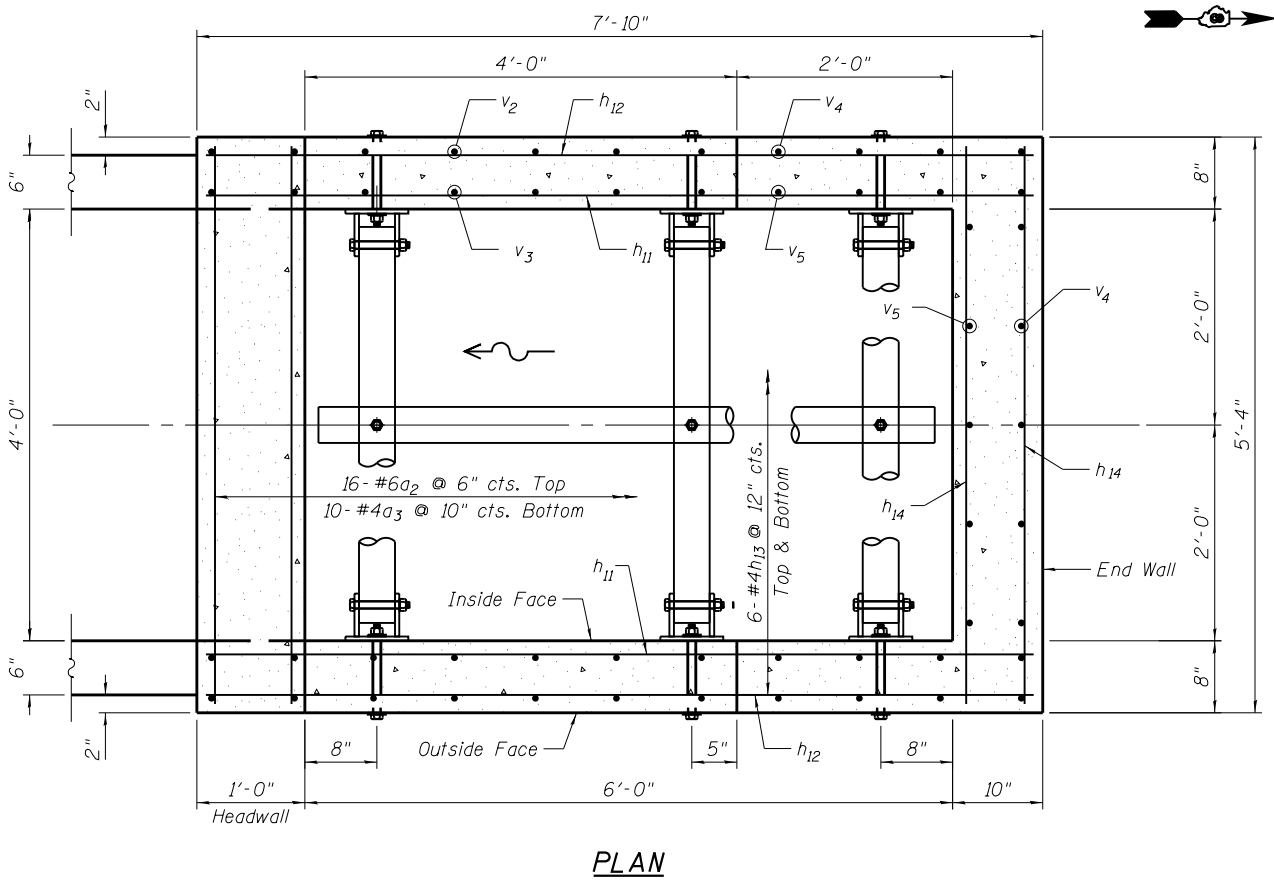
ELEVATION



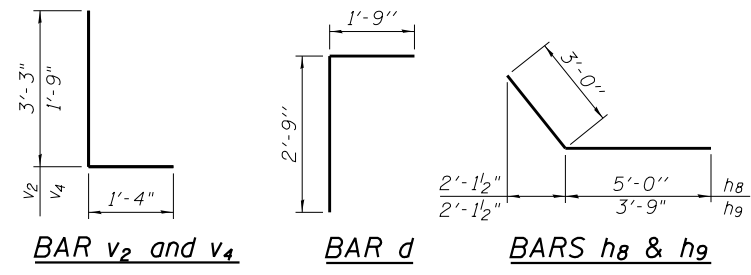
SECTION A-A



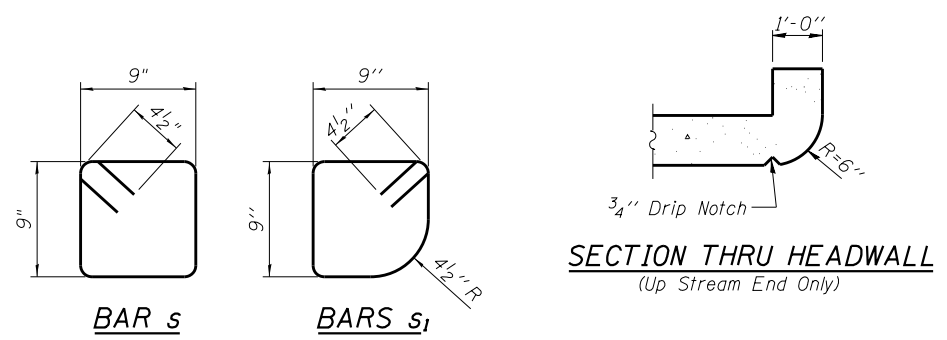
SECTION THRU BARREL



PLAN

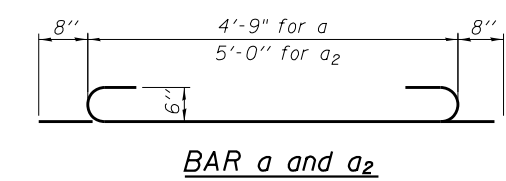


BAR v₂ and v₄ BAR d BARS h₈ & h₉



BAR s BARS s₁

SECTION THRU HEADWALL (Up Stream End Only)



BAR a and a₂

NOTES

For Traversable Pipe Gate notes and details, see Sheet 4 of 4.

BILL OF MATERIAL

Bar	No.	Size	Length	Shape
a	172	#6	6'-0"	U
a ₁	26	#4	4'-8"	U
a ₂	16	#6	6'-4"	U
a ₃	10	#4	5'-0"	U
d	5	#4	4'-6"	L
h	7	#6	21'-9"	
h ₁	10	#4	21'-9"	
h ₂	4	#5	21'-9"	
h ₃	2	#4	3'-11"	
h ₄	18	#6	4'-9"	
h ₅	7	#6	23'-9"	
h ₆	10	#4	26'-4"	
h ₇	4	#5	26'-11"	
h ₈	10	#4	8'-0"	
h ₉	10	#4	6'-9"	
h ₁₀	4	#6	5'-1"	
h ₁₁	10	#5	10'-8"	
h ₁₂	10	#4	7'-6"	
h ₁₃	12	#4	7'-6"	
h ₁₄	6	#4	5'-1"	
s	30	#4	3'-9"	U
s ₁	6	#4	4'-0"	U
v	128	#4	2'-9"	
v ₁	8	#4	5'-8"	
v ₂	14	#4	4'-7"	L
v ₃	14	#4	3'-3"	
v ₄	13	#4	3'-1"	L
v ₅	13	#4	1'-9"	
Reinforcement Bars	Pound	3,810		
Bar Splicers	Each	21		
Concrete Box Culverts	Cu. Yd.	16.3		
Traversable Pipe Gate	Foot	18		

EFK Moen, LLC
Civil Engineering Design
303 Fountains Parkway, Suite 240
Fairview Heights, IL 62208
Phone 618-206-4250

USER NAME = cdl	DESIGNED - CMC	REVISED -
PLOT SCALE = @ 2' = 1"	CHECKED - CTW	REVISED -
PLOT DATE = 8/7/2014	DRAWN - JAA	REVISED -
	DATE - 8/7/2014	REVISED -

STATE OF ILLINOIS
DEPARTMENT OF TRANSPORTATION

DROP BOX DETAILS
4'x2' BOX CULVERT - STA. 283+25

SHEET NO. 3 OF 4 SHEETS

F.A.S. RTE.	SECTION	COUNTY	TOTAL SHEETS	SHEET NO.
• 749/752	101-2RS-1	JERSEY	438	283
ILLINOIS FED. AID PROJECT			CONTRACT NO. 76789	