

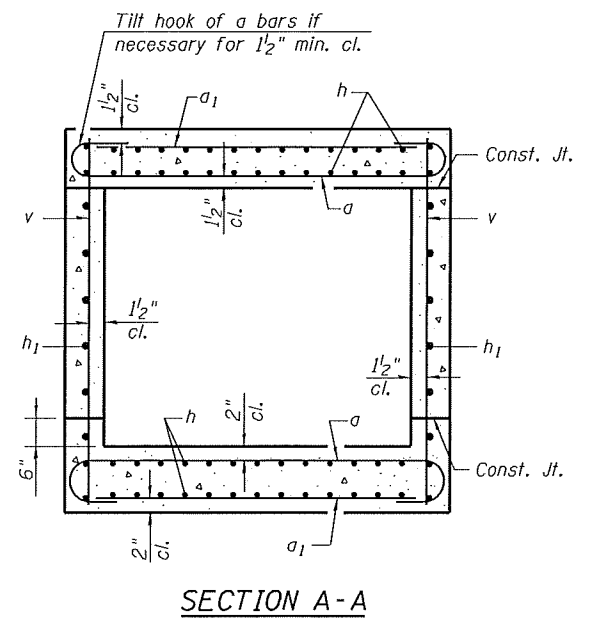
LEFT EXTENSION

TOP SLAB PLAN
SHOWING REINFORCEMENT

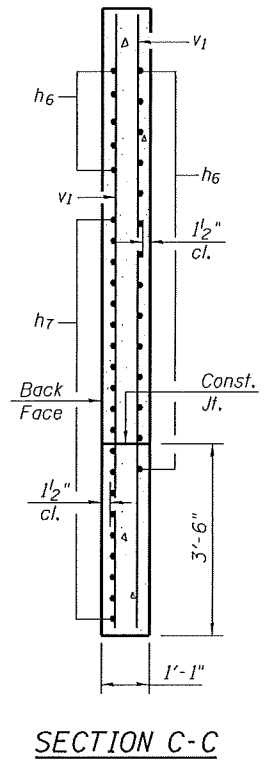
RIGHT EXTENSION

(v, v₁, h₆, h₇, h₈ & h₉ bars not shown for clarity)

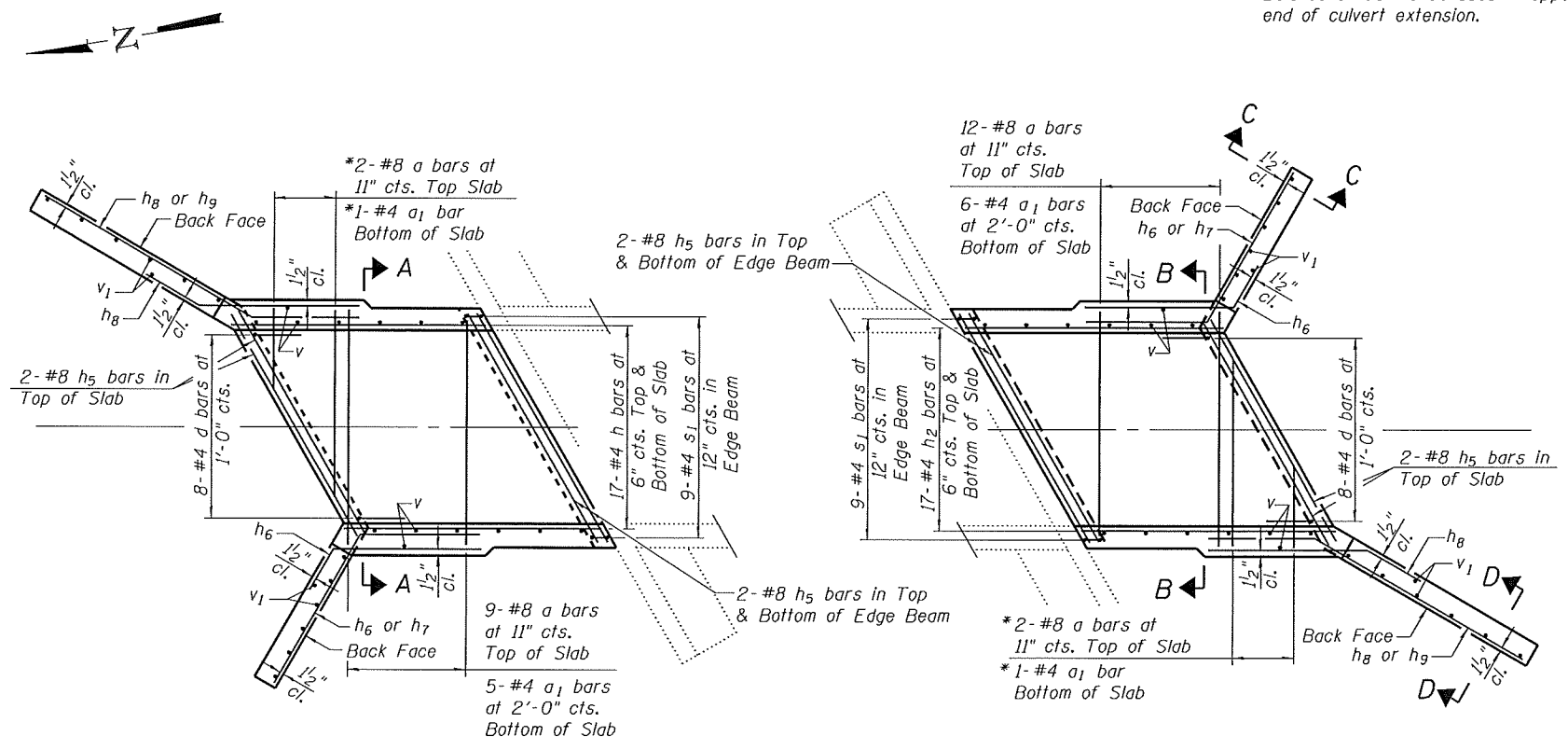
* a & a₁ bars in skew portion of slab shall be ordered full length & cut to fit. Balance of bar to be used in opposite end of culvert extension.



SECTION A-A



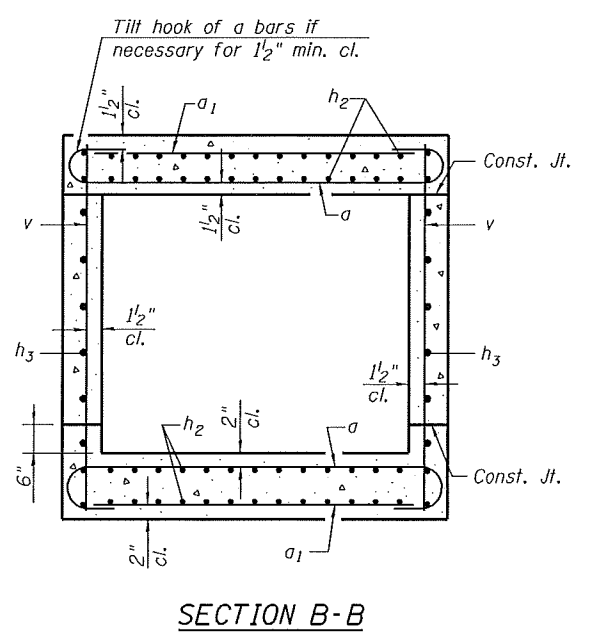
SECTION C-C



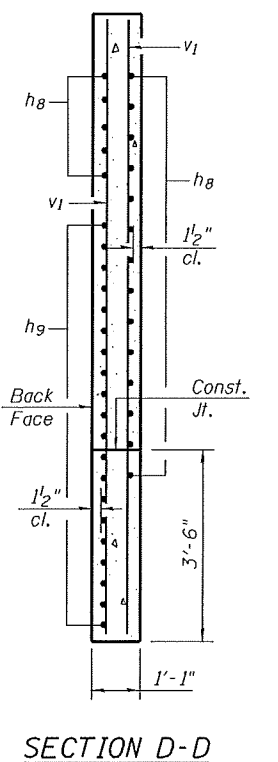
LEFT EXTENSION

BOTTOM SLAB PLAN
SHOWING REINFORCEMENT

RIGHT EXTENSION



SECTION B-B



SECTION D-D

Notes:
For Elevation, Bar Bends, and Total Bill of Material see sheet 3 of 3.

FILE NAME = 411-4366-76789-002.dgn



USER NAME = jdrinkelmann
Illinois Design Firm Number 184.001670
PLOT SCALE =
PLOT DATE = 8/8/2014

DESIGNED - JD
CHECKED - BB
DRAWN - WS
CHECKED - CJF

REVISED -
REVISED -
REVISED -
REVISED -

STATE OF ILLINOIS
DEPARTMENT OF TRANSPORTATION

BOX CULVERT EXTENSION DETAILS
STRUCTURE NUMBER 042-2476

SHEET NO. 2 OF 3 SHEETS

F.A.S. RTE.	SECTION	COUNTY	TOTAL SHEETS	SHEET NO.
752	101-2RS-1	JERSEY	438	275
CONTRACT NO. 76789				
ILLINOIS FED. AID PROJECT				