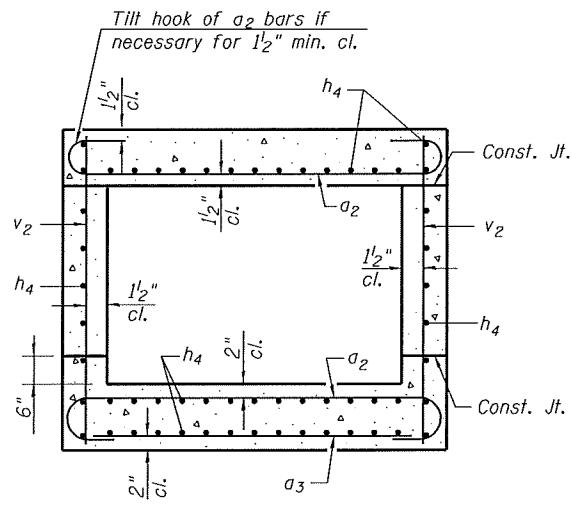
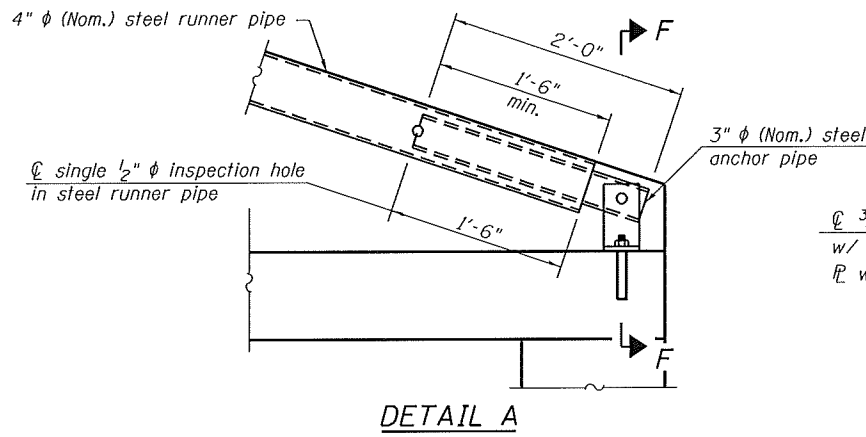


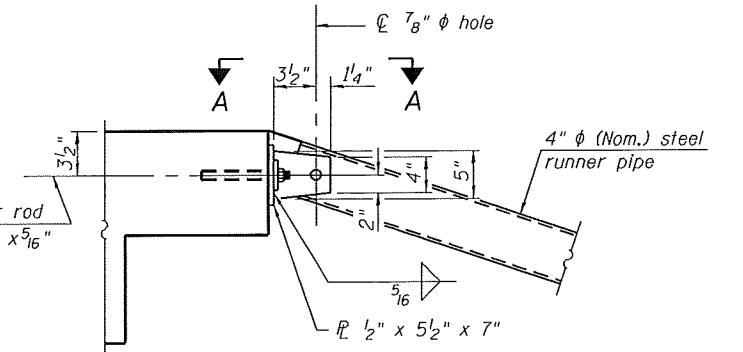
SECTION A-A



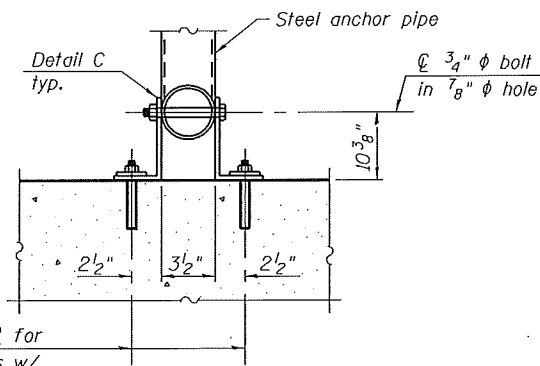
SECTION B-B



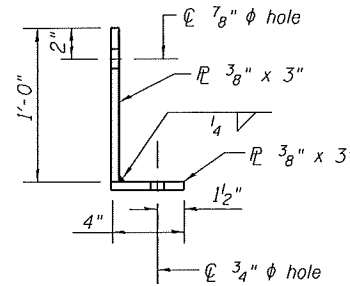
DETAIL A



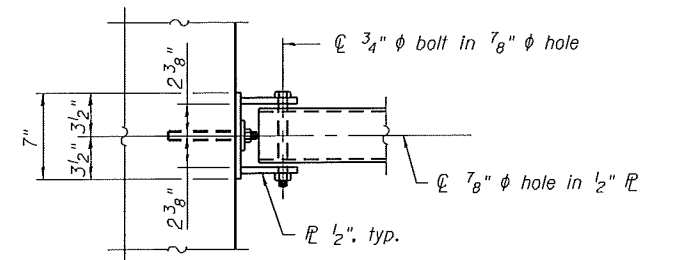
DETAIL B



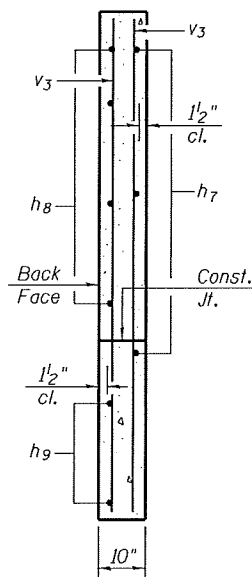
SECTION F-F



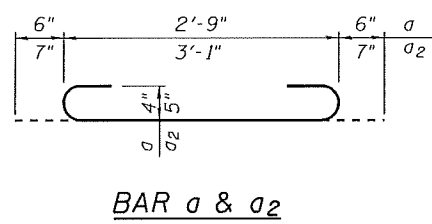
DETAIL C



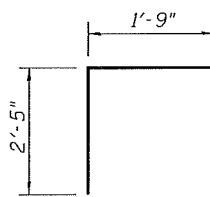
VIEW A-A



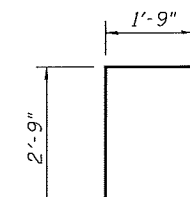
SECTION E-E



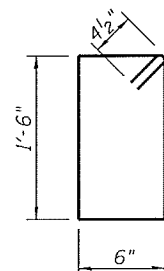
BAR a & a2



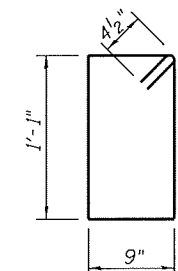
BAR d



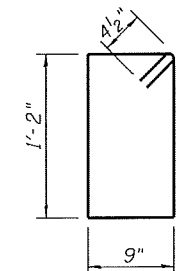
BAR d1



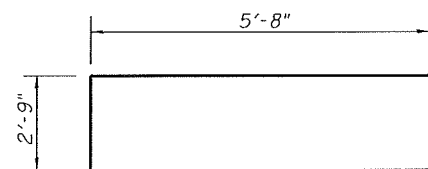
BAR s



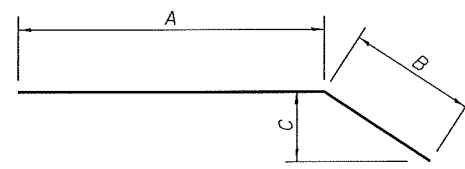
BAR s1



BAR s2

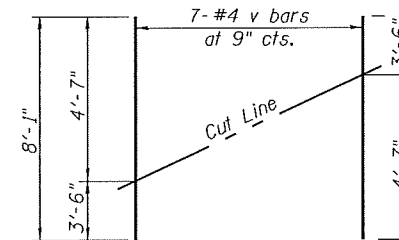


BARS u



BARS

Bar	A	B	C
h2	5'-0"	1'-7"	0'-4 5/8"
h7	5'-2"	3'-0"	2'-1 1/2"
h8	4'-7"	3'-0"	2'-1 1/2"
h9	4'-1"	2'-10"	2'-0"



FIELD CUTTING DIAGRAM

Order v bars full length. Cut as shown and use remainder of bars in opposite wall.

TOTAL BILL OF MATERIAL

Bar	No.	Size	Length	Shape	
a	13	#4	3'-9"	U	
a1	5	#4	2'-9"	U	
a2	12	#5	4'-3"	U	
a3	4	#4	3'-1"	U	
a4	1	#4	2'-10"	U	
d	4	#4	4'-2"	L	
d1	3	#4	4'-6"	L	
h	14	#4	5'-9"	U	
h1	6	#6	2'-9"	U	
h2	2	#4	6'-7"	U	
h3	2	#4	3'-10"	U	
h4	24	#4	4'-9"	U	
h5	2	#6	2'-3"	U	
h6	12	#6	3'-1"	U	
h7	6	#4	8'-2"	U	
h8	6	#4	7'-7"	U	
h9	6	#4	6'-11"	U	
s	3	#4	4'-9"	U	
s1	8	#4	4'-5"	U	
s2	4	#4	4'-7"	U	
u	2	#4	14'-1"	U	
v	7	#4	8'-1"	U	
v1	4	#4	4'-8"	U	
v2	18	#4	2'-5"	U	
v3	10	#4	5'-6"	U	
Concrete Removal				Cu. Yd.	0.2
Reinforcement Bars				Pound	630
Expansion Bolts 3/4 Inch				Each	8
Concrete Box Culverts				Cu. Yd.	4.5
Traversable Pipe Grate				Foot	5

FILE NAME = 387+50.59-76789-003.dgn



USER NAME = jdinkeimann
 Illinois Design Firm Number 184,001670
 PLOT SCALE =
 PLOT DATE = 8/8/2014

DESIGNED - JD
 CHECKED - BB
 DRAWN - WS
 CHECKED - CJF

REVISED -
 REVISED -
 REVISED -
 REVISED -

STATE OF ILLINOIS
 DEPARTMENT OF TRANSPORTATION

BOX CULVERT EXTENSION DETAILS
 STATION 387+50.59

SHEET NO. 3 OF 3 SHEETS

F.A.S. RTE.	SECTION	COUNTY	TOTAL SHEETS	SHEET NO.
752	101-2RS-1	JERSEY	438	265
CONTRACT NO. 76789				
ILLINOIS FED. AID PROJECT				